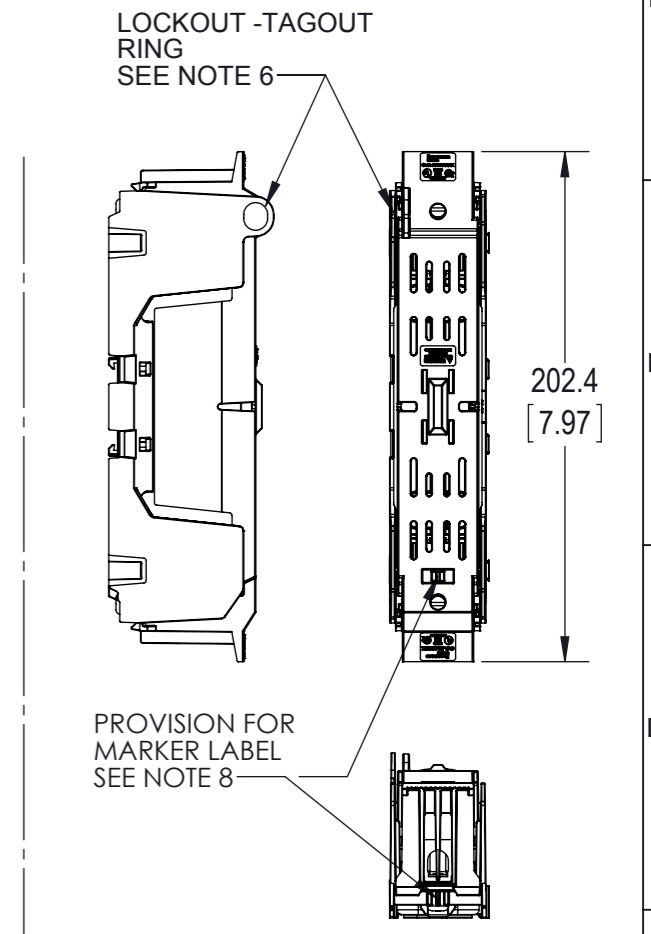
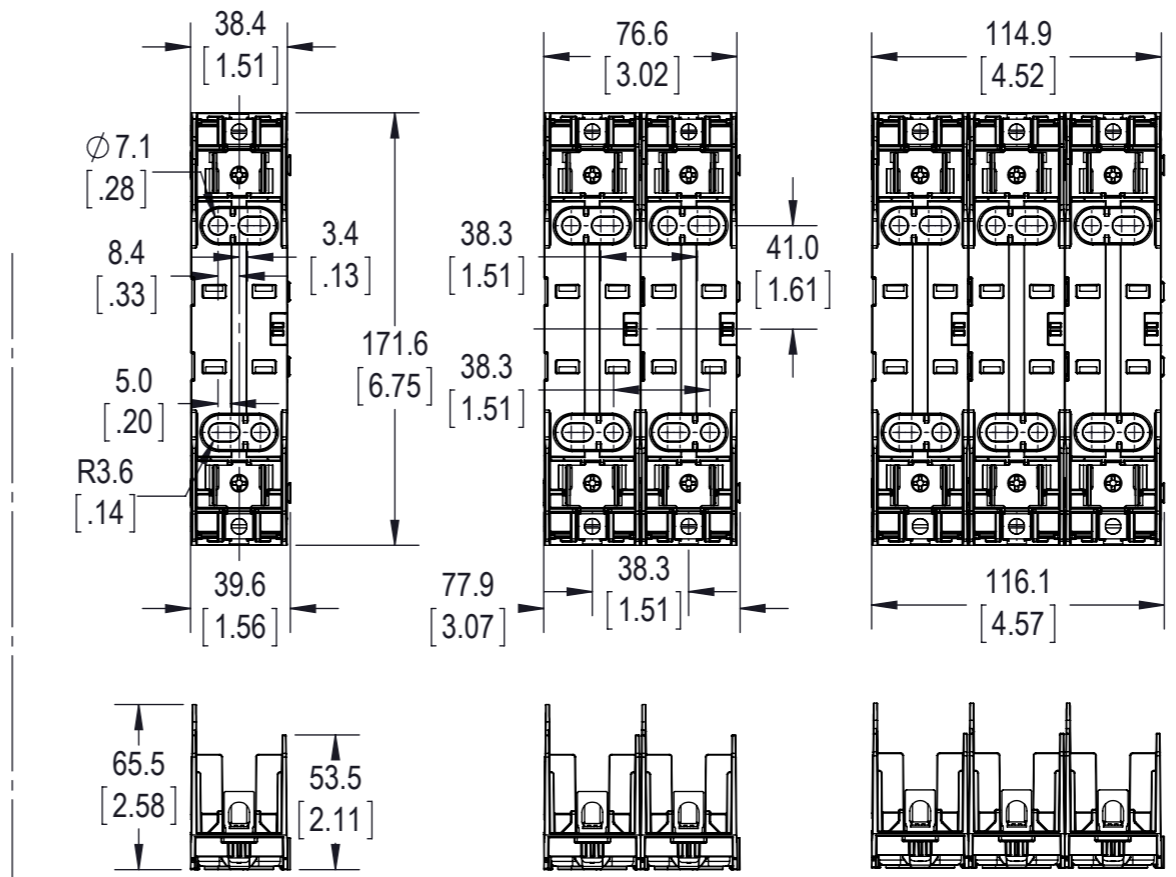
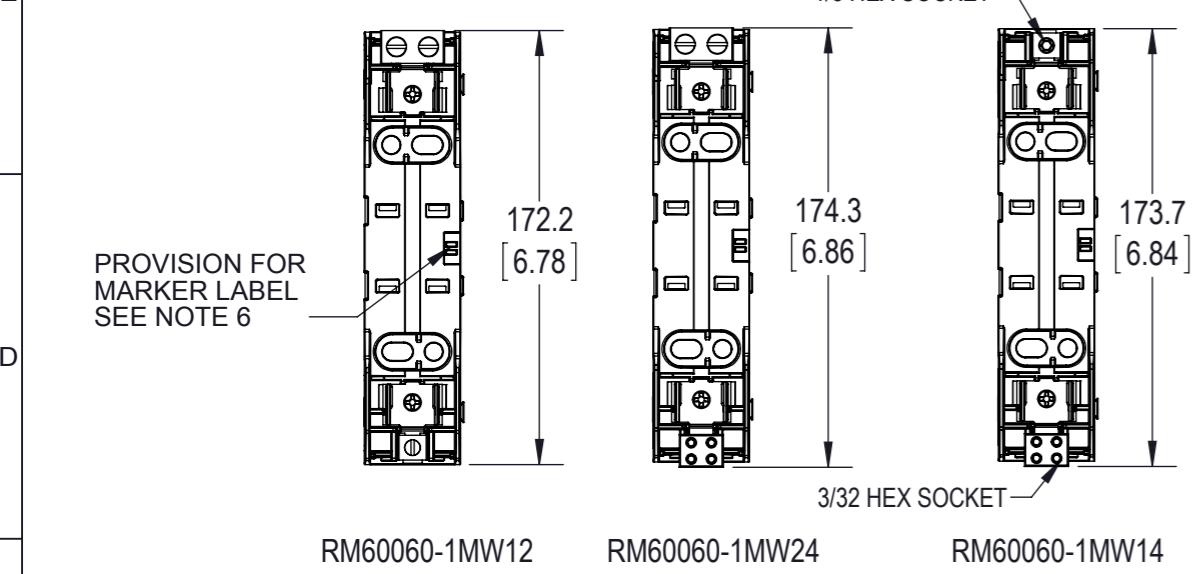
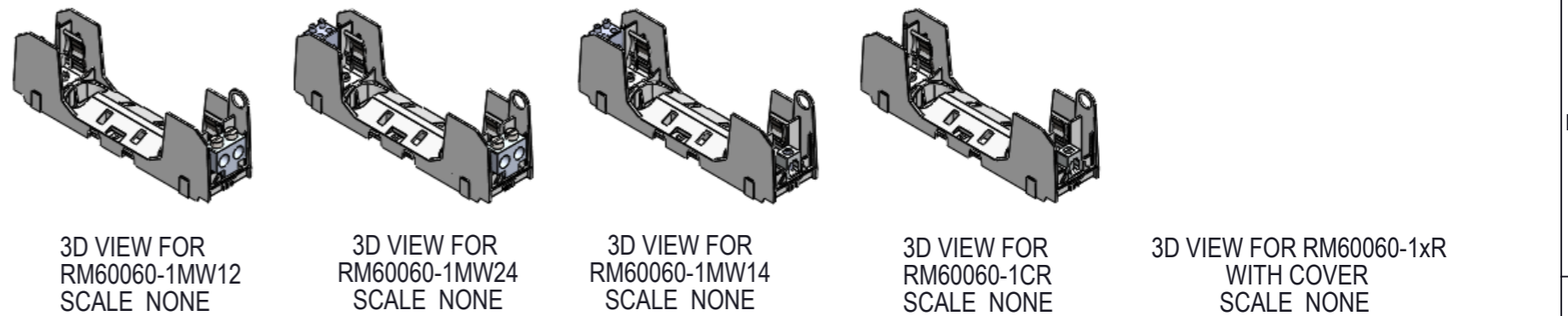


CATALOG NO.	TERMINAL TYPE	IP20 FINGER SAFE COVERS		NO. OF POLES
		W/O INDICATION	INDICATION	
RM60060-1CR*	BOX LUG 1 PORT			1
RM60060-2CR*	BOX LUG 1 PORT			2
RM60060-3CR*	BOX LUG 1 PORT			3
RM60060-1MW14	BOX LUG - 1 TO 4 PORT			1
RM60060-2MW14	BOX LUG - 1 TO 4 PORT			2
RM60060-3MW14	BOX LUG - 1 TO 4 PORT			3
RM60060-1MW12	BOX LUG - 1 TO 2 PORT	CVR-RH-60060	CVRI-RH-60060	1
RM60060-2MW12	BOX LUG - 1 TO 2 PORT			2
RM60060-3MW12	BOX LUG - 1 TO 2 PORT			3
RM60060-1MW24	BOX LUG - 2 TO 4 PORT			1
RM60060-2MW24	BOX LUG - 2 TO 4 PORT			2
RM60060-3MW24	BOX LUG - 2 TO 4 PORT			3

* -CHR ALSO AVAILABLE; SEE NOTE 10



- NOTES:
- VOLTAGE RATING: 600V
 - AMPERAGE: 60A
 - WITHSTAND RATING: CLASS R = 200kA; CLASS H = 10kA
 - WIRE: -CR/-MW12/MW14 CU/AL 75C
-MW24 CU/AL 75/90C
 - 1 PORT WIRE RANGE: (1) 2 - 14 AWG CU
2-3: 50 lb-in (5.6 Nm)
4-6, 45 lb-in (5.1 Nm)
8, 40 lb-in (4.5 Nm)
10-14, 35 lb-in (4.0 Nm)
(2) 12-14, 50 lb-in (5.6 Nm)
(1) 2 - 8 AWG AL
2-3: 50 lb-in (5.6 Nm)
4-6, 45 lb-in (5.1 Nm)
8, 40 lb-in (4.5 Nm)
 - 4 PORT WIRE RANGE: (1) 8-14 AWG CU
8 AWG 3.4 Nm (30 in-lb)
14-10 2.8 Nm (25 in-lb)
(2) 12-14 AWG CU
12-14 3.4 Nm (30 in-lb)
(1) 8-10 AWG AL
8 Str/10 Sol: 3.4 Nm (30 in-lb)
 - 2 PORT WIRE RANGE: (1) CU 2-14, AL 2-8
2 - 4 AWG 5.6 Nm (50 lb-in)
6-10 AWG 4.5 Nm (40 lb-in)
12-14 AWG 1.7 Nm (15 lb-in)
 - USE 4MM DIA. CABLE LOCK OR 1/4 INCH DIA. HASP PADLOCK.
 - RECOMMEND USING DIN-RAIL END STOPS FOR DIN RAIL MOUNTED APPLICATIONS
BUSSMANN PART NUMBERS BRKT-ND OR BRKT-NDSCREW2
 - USE BUSMANN MAKER LABEL TM26CB
 - ALL DIMENSIONS ARE TYPICAL UNLESS OTHERWISE INDICATED
 - CHR IS IDENTICAL TO THE -CR EXCEPT WITH A 1/8 INCH HEX WIRE CONNECTOR SCREW



EATON CORPORATION - CONFIDENTIAL AND PROPRIETARY
NOTICE TO PERSONS RECEIVING THIS DOCUMENT AND/OR TECHNICAL INFORMATION

THIS DRAWING IS AN UNCONTROLLED COPY IF PRINTED OR SENT ELECTRONICALLY. DO NOT SCALE DRAWING

GENERAL DRAWING PRACTICES IN ACCORDANCE WITH ASME - Y14.100-2004 DIMENSIONS AND TOLERANCES IN ACCORDANCE WITH ASME - Y14.5M-1994 UNLESS OTHERWISE SPECIFIED DIMENSIONS ARE IN MILLIMETERS

UNLESS OTHERWISE SPECIFIED TOLERANCES TO BE MILLIMETERS ± 0.13 mm ANGULAR ± 1°

EATON BUSSMANN SERIES

TITLE: **600V / 60AMP CLASS R & H FUSE BLOCK**

SIZE: **A3** DWG NO.: **RM60060-HM60060-CP** REV: **B**

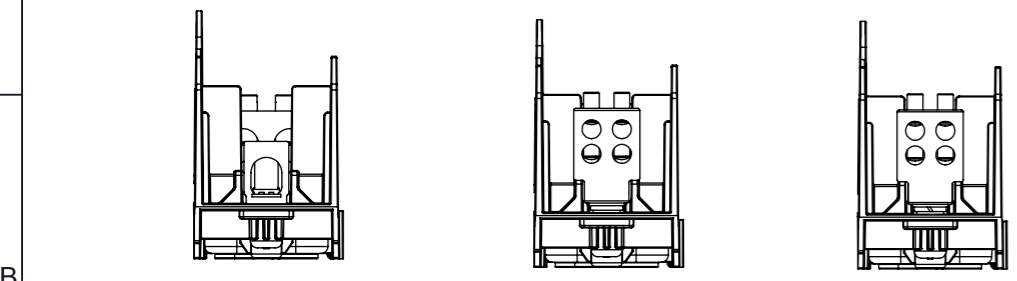
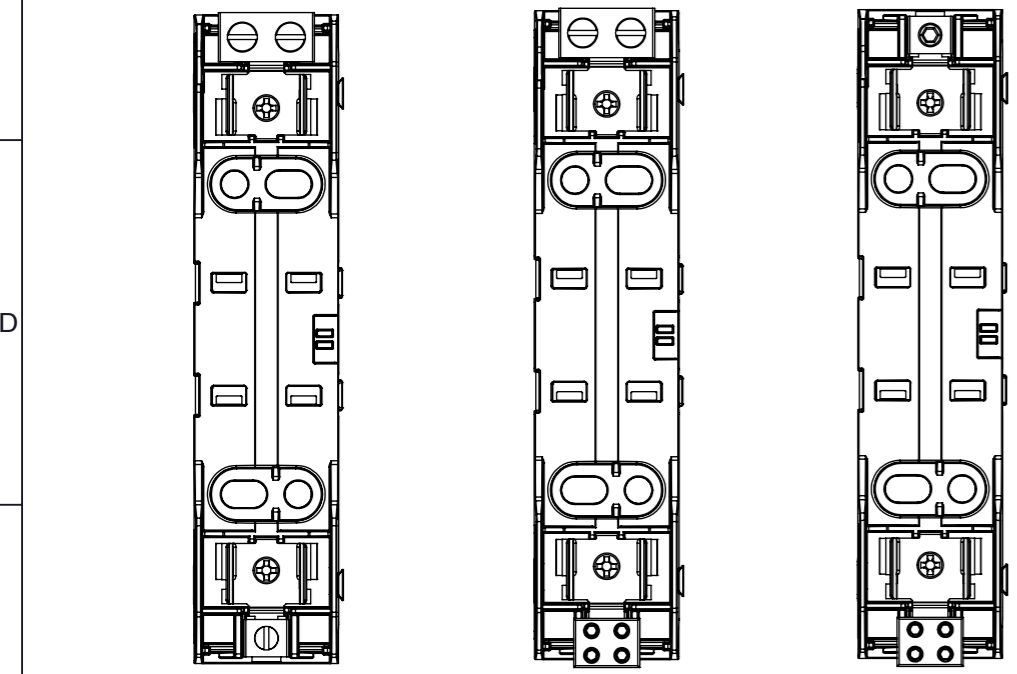
SCALE: 1:3 SHEET 1 OF 3

CUSTOMER PRINT
THIRD ANGLE PROJECTION

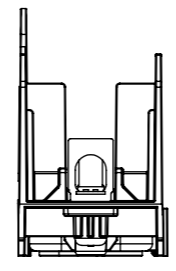
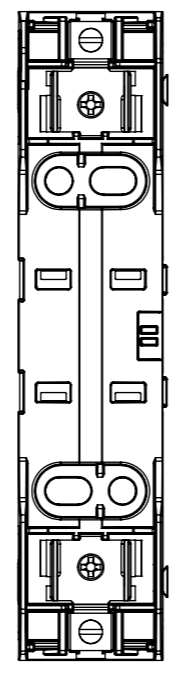
© 2012 Eaton Corporation. All Rights Reserved.

CATALOG NO.	TERMINAL TYPE	IP20 FINGER SAFE COVERS		NO. OF POLES
		W/O INDICATION	INDICATION	
HM60060-1CR*	BOX LUG 1 PORT	CVR-RH-60060	CVRI-RH-60060	1
HM60060-2CR*	BOX LUG 1 PORT			2
HM60060-3CR*	BOX LUG 1 PORT			3
HM60060-1MW14	BOX LUG - 1 TO 4 PORT			1
HM60060-2MW14	BOX LUG - 1 TO 4 PORT			2
HM60060-3MW14	BOX LUG - 1 TO 4 PORT			3
HM60060-1MW12	BOX LUG - 1 TO 2 PORT			1
HM60060-2MW12	BOX LUG - 1 TO 2 PORT			2
HM60060-3MW12	BOX LUG - 1 TO 2 PORT			3
HM60060-1MW24	BOX LUG - 2 TO 4 PORT			1
HM60060-2MW24	BOX LUG - 2 TO 4 PORT			2
HM60060-3MW24	BOX LUG - 2 TO 4 PORT			3

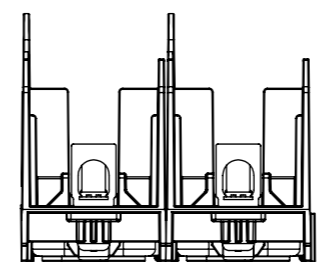
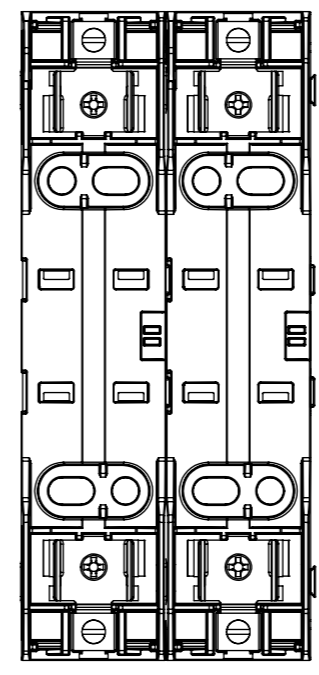
* -CHR ALSO AVAILABLE; SEE NOTE 10



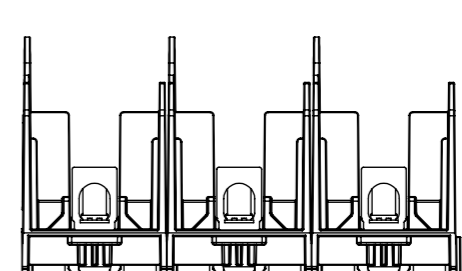
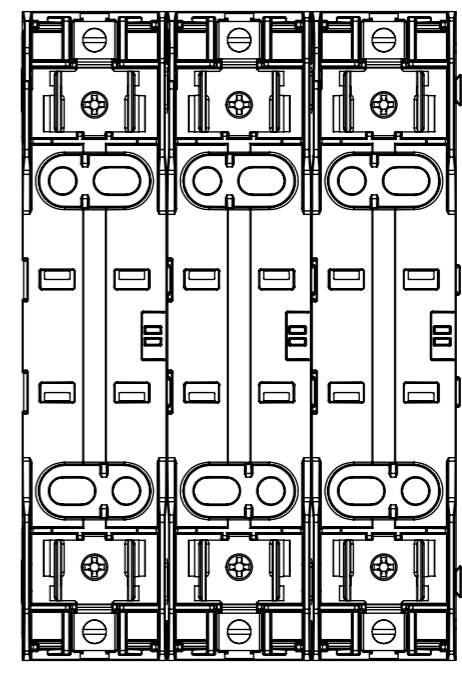
HM60060-1MW12 HM60060-1MW24 HM60060-1MW14



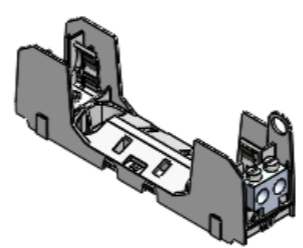
1-POLE
HM60060-1CR SHOWN



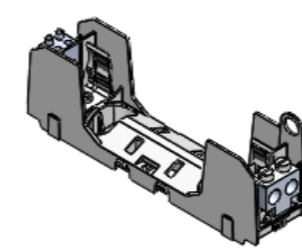
2-POLE
HM60060-2CR SHOWN



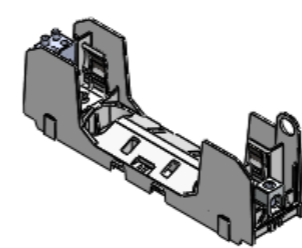
3-POLE
HM60060-3CR SHOWN



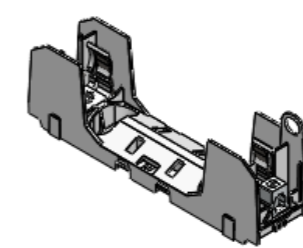
3D VIEW FOR
HM600060-1MW12
SCALE NONE



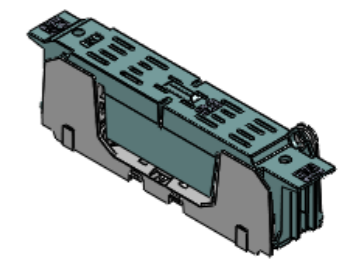
3D VIEW FOR
HM60060-1MW24
SCALE NONE



3D VIEW FOR
HM60060-1MW14
SCALE NONE



3D VIEW FOR
HM60060-1CR
SCALE NONE



3D VIEW FOR HM60060-1xR
WITH COVER
SCALE NONE

EATON BUSSMANN SERIES

TITLE: **600V / 60AMP CLASS R & H FUSE BLOCK**

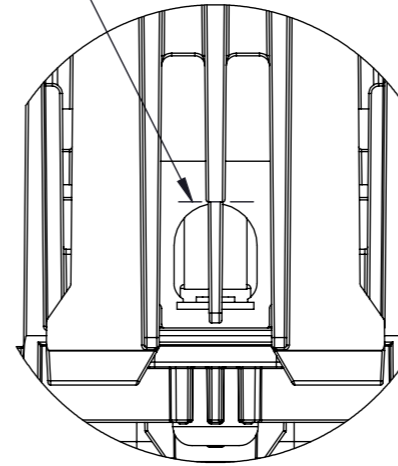
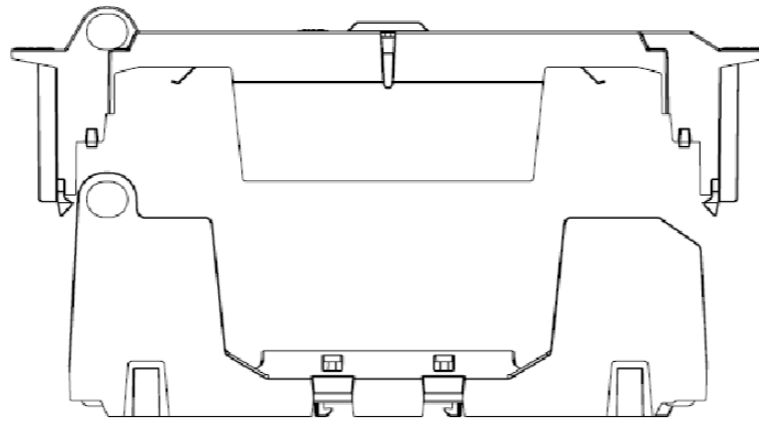
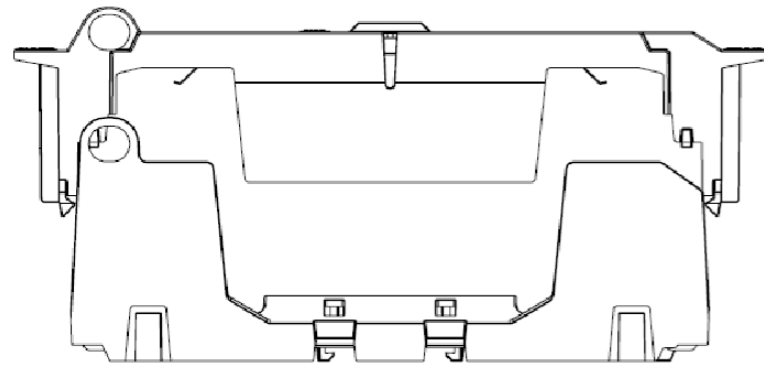
SIZE: **A3** DWG NO.: **RM60060-HM60060-CP** REV: **B**

SCALE: 1:2 SHEET 2 OF 3

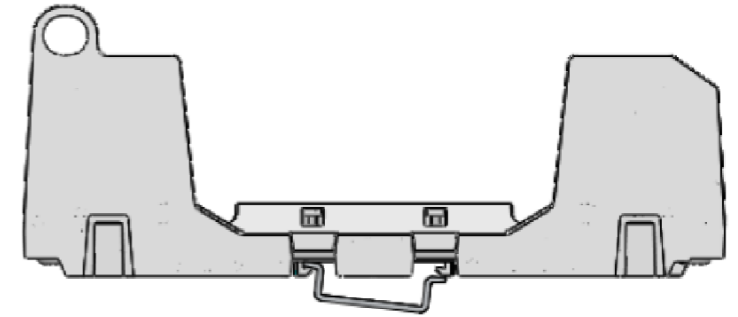
8.A3_BUSS_M60_CERBL_REV_A

8 7 6 5 4 3 2 1

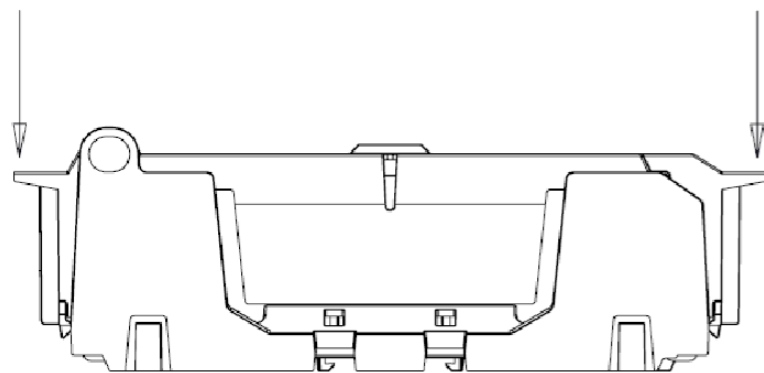
CUT COVER TAB
AT NOTCH FOR
USE WITH WIRES
LARGER THAN
8 AWG



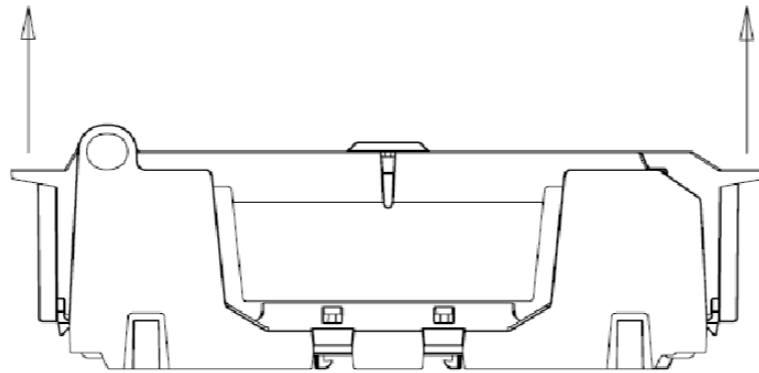
DETAIL A
SCALE 4 : 3



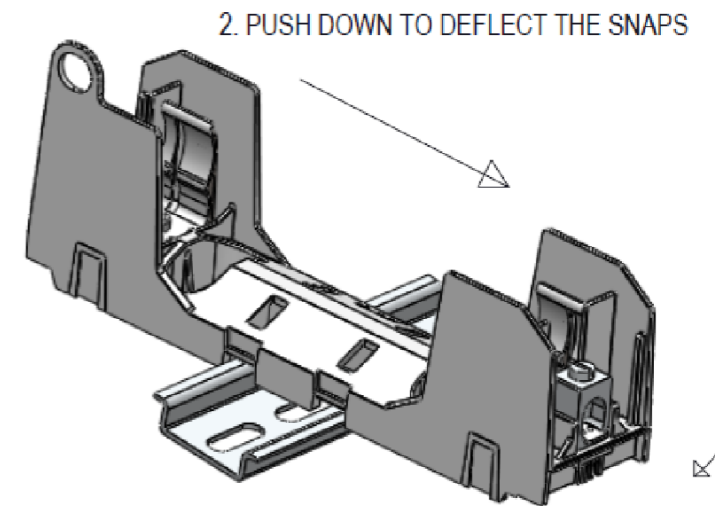
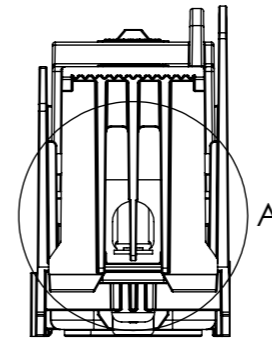
1. HOOK DIN RAIL SNAPS ON ONE SIDE OF THE DIN RAIL



CLOSING
PUSH STRAIGHT DOWN UNTIL SNAPS CLICK
INTO PLACE



OPENING
PULL STRAIGHT UP AT BOTH OUTSIDE
HANDLES



2. PUSH DOWN TO DEFLECT THE SNAPS

3. ROTATE UNTIL THE
OPPOSITE SIDE SNAPS
ONTO DIN RAIL

INSTALLATION ON DIN RAIL
END STOPS MAY BE NECESSARY FOR SOME
ASSEMBLY CONDITIONS - SEE NOTE 7

EATON BUSSMANN
SERIES

TITLE
600V / 60AMP CLASS R & H FUSE BLOCK

SIZE DWG NO. REV
A3 **RM60060-HM60060-CP** **B**

SCALE: 2:3 SHEET 3 OF 3

8 7 6 5 4 3 2 1

SLA3_BUSS_MAL_CERBL_REV_A

X-ON Electronics

Largest Supplier of Electrical and Electronic Components

Click to view similar products for [Fuse Holder](#) category:

Click to view products by [Eaton](#) manufacturer:

Other Similar products are found below :

[570-290-741P40](#) [570-290-751P40](#) [0031.1351.01](#) [020417G](#) [020418E](#) [80910030](#) [8601.2020](#) [9-3557-GP REV A](#) [15600-08-10](#) [BK1-HTC-45M](#)
[BK/FHN19G](#) [BK/HJM-HH](#) [BK/HKP-CCHH](#) [BK/HKP-E-CC](#) [BK/HKP-E-HH](#) [BK/HKP-EH-HH](#) [BK/HKP-U-HH](#) [BK/HTJ-LES-FUSE](#)
[HMG-241](#) [2086-1](#) [2193](#) [RTMF-SC](#) [2602](#) [2650](#) [FHN31G1](#) [G4PB8](#) [2660](#) [2799](#) [CQ-209V](#) [345621A](#) [3794](#) [4202](#) [4408](#) [4413](#) [4423](#) [4482](#)
[4532](#) [4537](#) [TSD1404-12](#) [BK/FHN31G1](#) [BK/HKP-H-CC](#) [BK/HKP-JQ-BB](#) [BK/HKP-JQW-BB](#) [BK/HKP-N-HH](#) [BK/HKP-S-CC](#) [BK/HKP-W-](#)
[BBHH](#) [BP/HHS](#) [BPHHU](#) [55900008011](#) [C1933](#)