

ProtoBox-1553B Kit (PCB+Box)



A Hammond 1553B soft-side plastic enclosure packaged with a matching ProtoBoard 2-hole per strip PCB.



KIT-1553B-BK (black, shown)

KIT-1553B-GY (gray)

www.BusBoard.net

BusBoard Prototype Systems - Built for designers

www.BusBoard.com sales@busboard.com

BPS-MAR-(KIT-1553B)-001 Rev 4.00

ProtoBoard-1553B – for Hammond 1553B Boxes



A prototyping board designed for the Hammond soft-sided handheld case.

Features

ProtoBoard saves time! The PCB is designed specifically for the Hammond 1553B box. No cutting is required. The mounting holes are present in the right spots.

The convenient 2-hole ProtoBoard pattern provides an easy way to connect parts while maximizing usable board area.

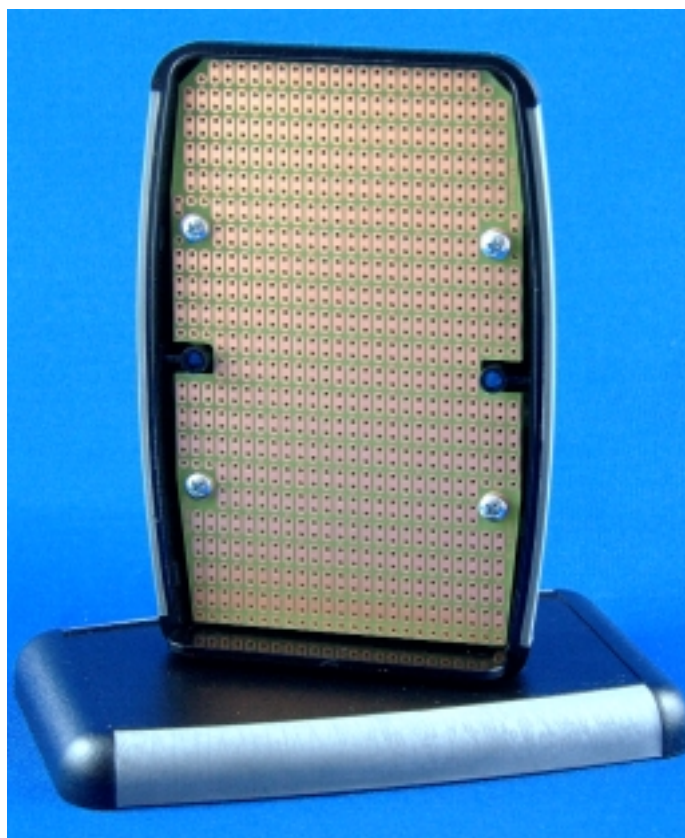
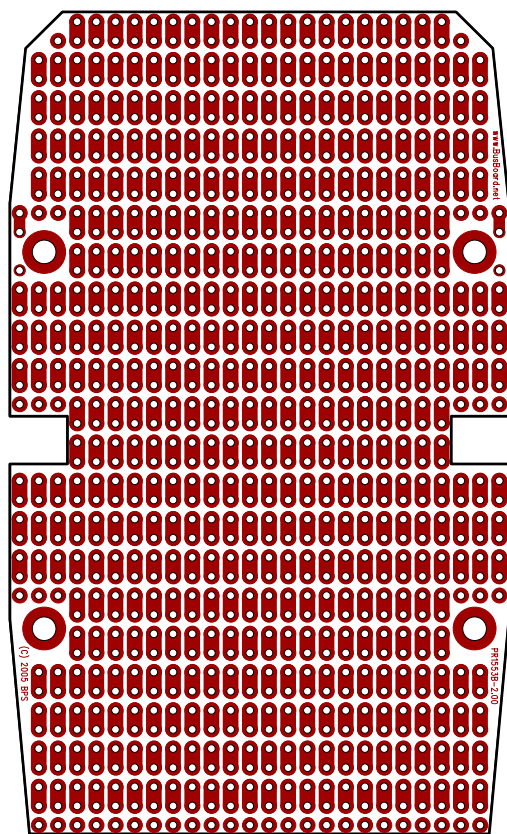
Lead free etched copper PCB with an anti-tarnish coating for easy soldering.

PCB Specifications

- High-quality FR4 glass epoxy board.
- Four 0.125" (1/8") mounting holes.
- Four 4-40 PCB mounting screws provided.
- Single sided, 1oz/ft² copper PCB
- 0.042" holes drilled on 0.1" centers
- PCB Size 2.8 x 4.3 in. (71 x 108mm)

Order Part# PR1553B (for PCB only)

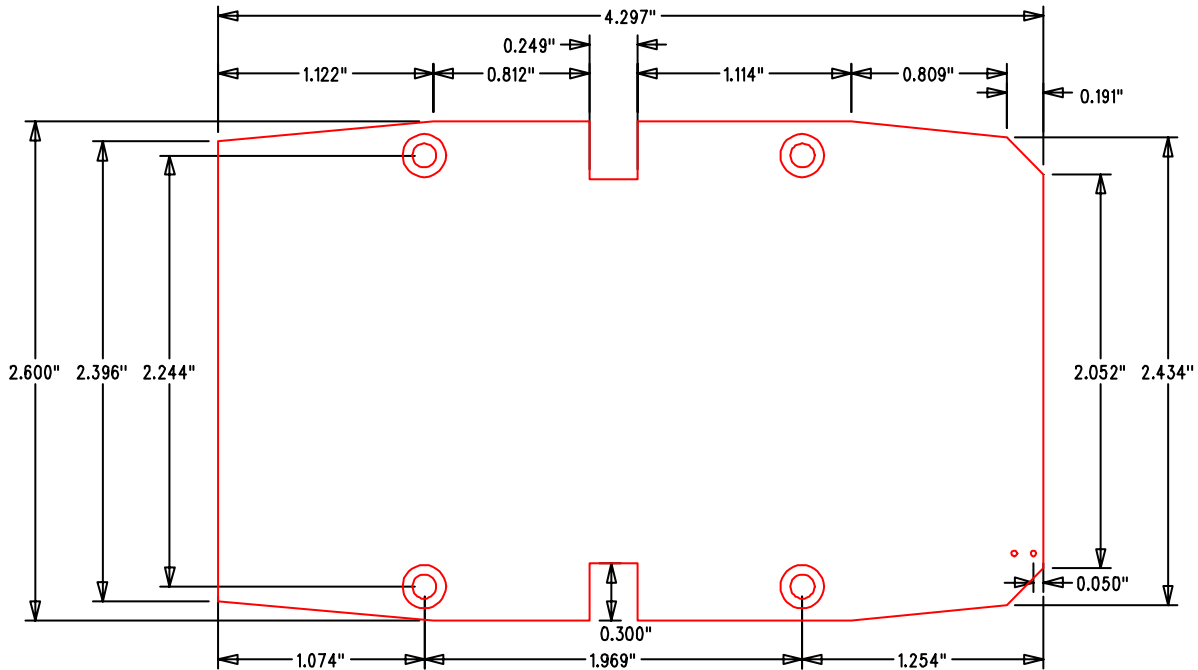
Board Layout (actual size)



PR1553B Prototyping Board shown with the Hammond 1553BBK box (box not included).

**To purchase the PCB + Box together,
order BPS part# KIT-1553B-BK**

PCB Mechanical Dimensions



1. PCB is symmetrical along the centerline.
 2. All solder pads are located on a 0.100" grid.
 3. The mounting holes are NOT located on the 0.100" grid.
- PCB Design Copyright 2005 BusBoard Prototype Systems Ltd.

Hammond 1553B Hand Held Case Features

Note: The box is **NOT** included with BPS part# PR1553B.

The box is included with part# KIT-1553B-BK.

Soft-sided ergonomic hand held electronic case.

Box Size 4.6 x 3.1 x 1.0 inches (117 x 79 x 24mm)

1 removable end panel (included).

Built-in PCB standoffs.

Box closed with self tapping screws (included).

Recessed top for membrane display or keypad.

Lap joint construction provides protection against dust accumulation and splashing water.

Gray/Gray, Black/Gray, Black/Black, Yellow, Red, and Translucent Blue colors available.

To order the box by itself, use Hammond part #'s 1553BGY, 1553BBK, 1553BBK BK, 1553BTBUBK, 1553BRDBK, 1553BYLBK

See <http://www.hammondmfg.com/1553.htm>
<http://www.hammondmfg.com/1553colors.htm>

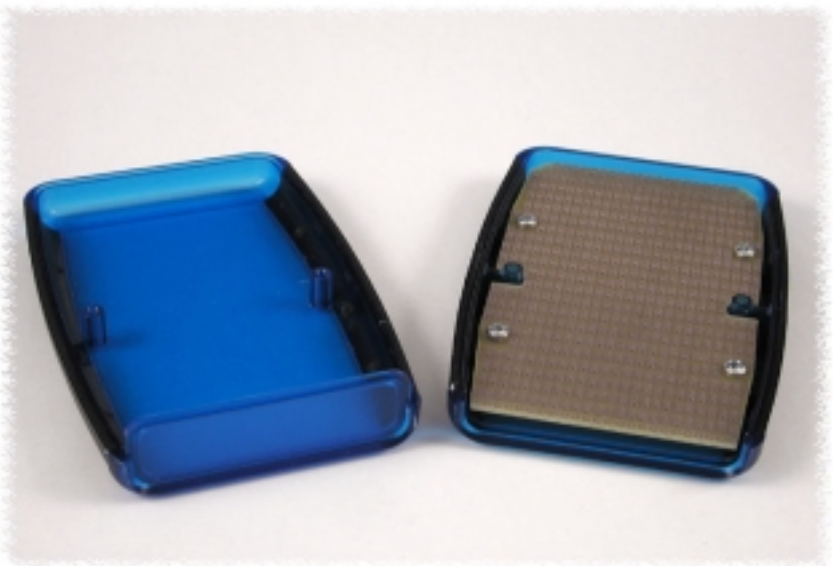
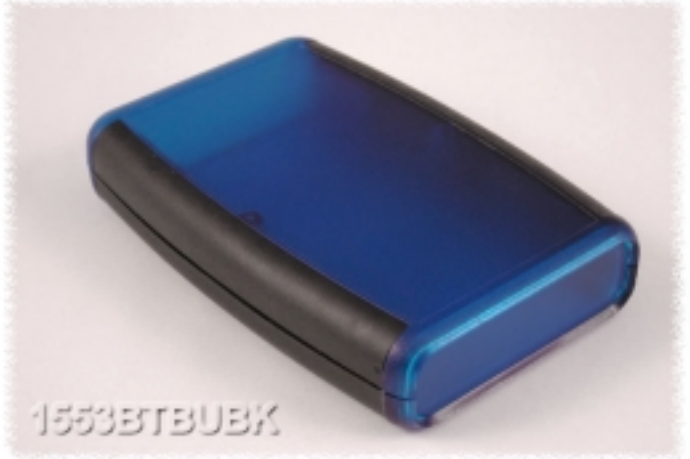
© 2013 BusBoard Prototype Systems Ltd.



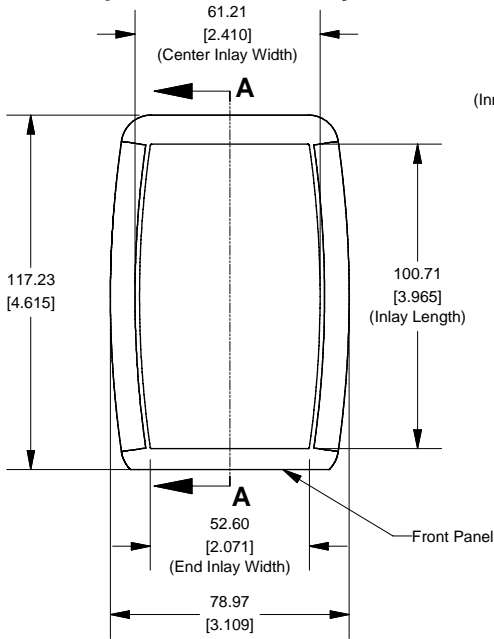
BusBoard Prototype Systems - Built for designers

www.BusBoard.com sales@busboard.com

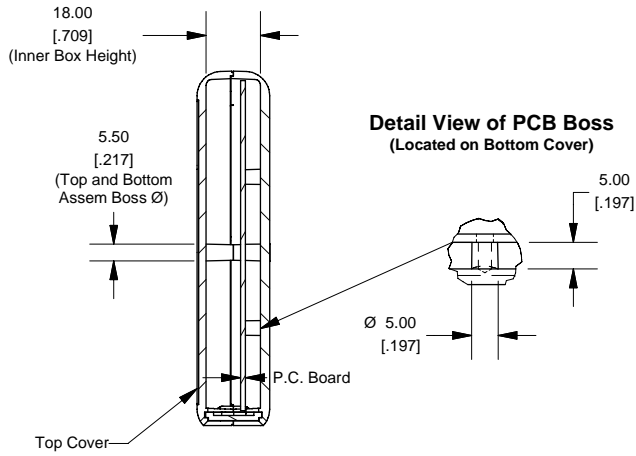
BPS-MAR-PR1553B-001 Rev 4.00



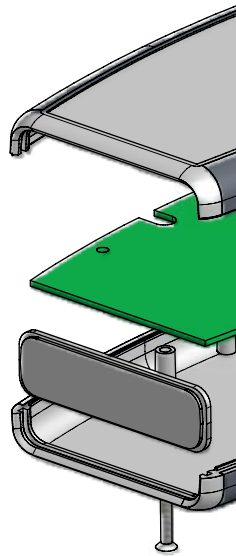
Top View of Assembly



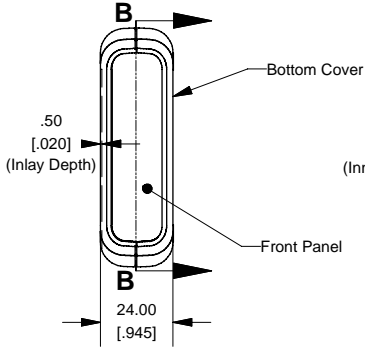
SECTION A-A (Side View Inside Assembly)



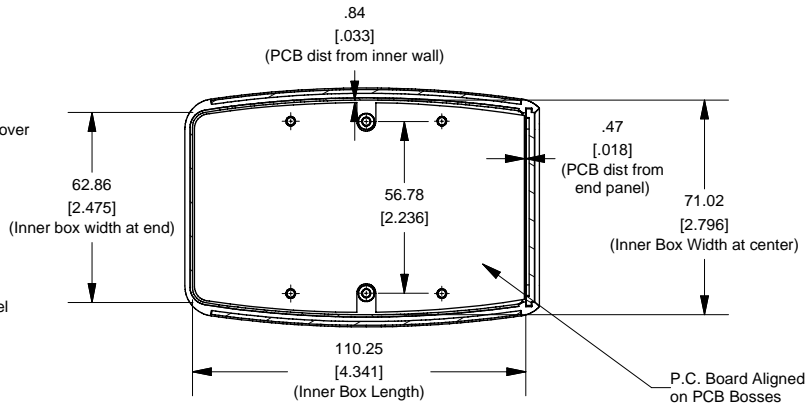
Detail View of PCB Boss (Located on Bottom Cover)



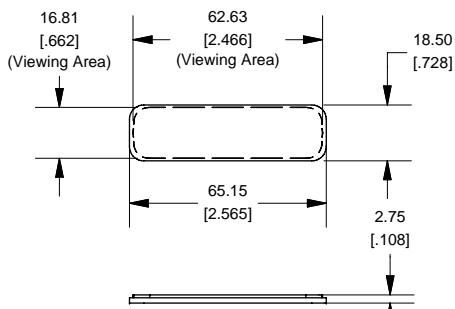
End View of Assembly



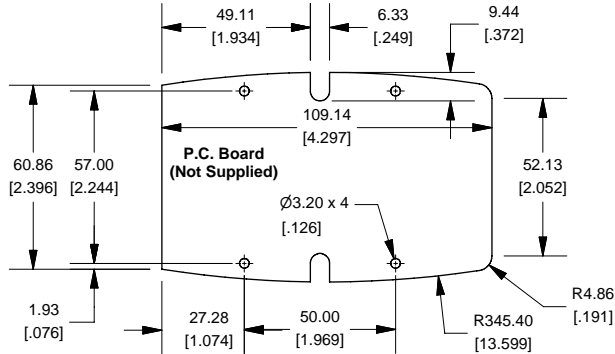
SECTION B-B (Inside of Bottom Cover)



Front/Rear Panel (Dashed Line Indicates Viewing Area)



Maximum P.C. Board Size



Enclosures can be Factory Solid models of this enclosure Contact Factory mjm@

Enclosure molded from GP Purchased assembly includes 2 cover screws.

Black Enclosure/Grey
Red Enclosure/Black
Translucent Blue Enclosure
Yellow Enclosure/Black
Grey Enclosure/Grey
Cover Screws (P)
#4 x 5/8" self-tapping oval
P.C. Board Screws
#4 x 1/4" self-tapping
Belt or Pocket



X-ON Electronics

Largest Supplier of Electrical and Electronic Components

Click to view similar products for PCBs & Breadboards category:

Click to view products by [BusBoard Prototype manufacturer](#):

Other Similar products are found below :

[8004](#) [8007](#) [8016](#) [8017](#) [8028](#) [8029](#) [1268-12](#) [1268-10](#) [1320833-1](#) [923252-R](#) [3410](#) [3396](#) [15107](#) [8006](#) [8015](#) [8018](#) [8019](#) [8020](#) [1268-19](#) [1268-20](#) [8026](#) [1239-19](#) [SBBTH1520-1](#) [SBBTH1506-1](#) [SBBTH4080-1](#) [SBBTH3030-1](#) [SBBTH1512-1](#) [SBBTH1508-1](#) [SBBSM2120-1](#) [SBB2808-1](#) [SBB2805-1](#) [SBB1605-1](#) [SBB1602-1](#) [SBB1005-1](#) [SBB1002-1](#) [3426](#) [32P15WE](#) [ZAS1X206203XRPU160](#) [SBBTH3040-1](#) [SBB0004-1](#) [SBB830-QTY10](#) [7115](#) [923749-I](#) [RE013-LF](#) [RE014-LF](#) [RE015-LF](#) [RE1210-LF](#) [RE200-C3](#) [RE210-S1](#) [RE317-HP](#)