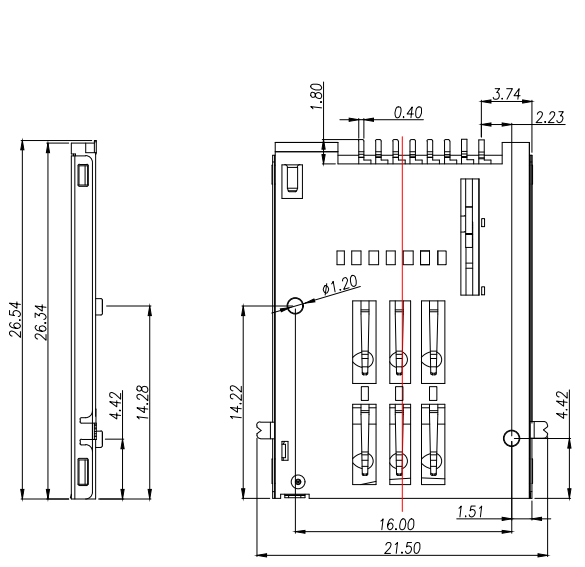
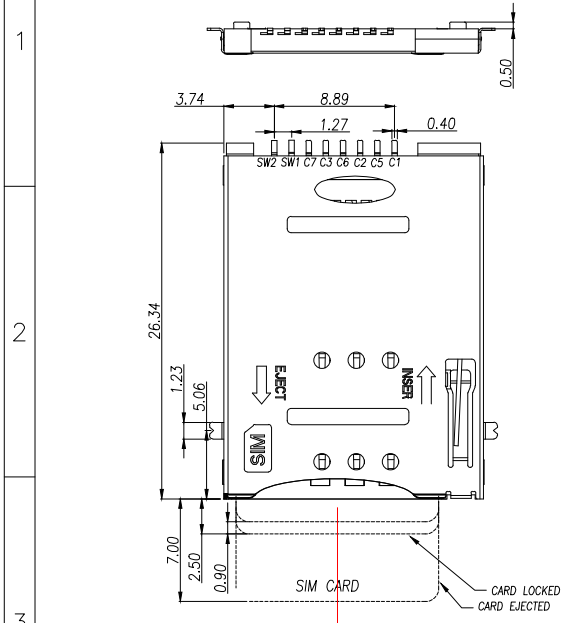
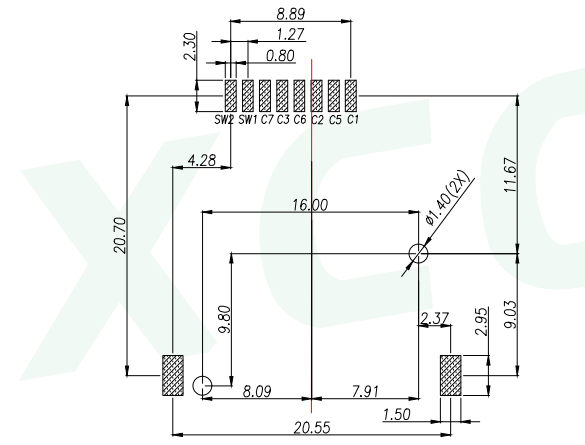
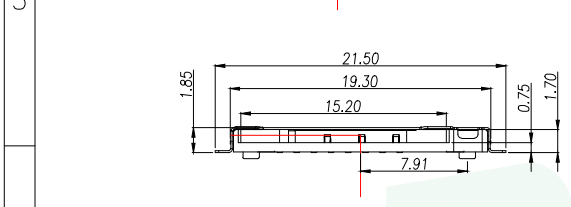


A		B		C		D		E	
REV.	DESCRIPTION					ECN NO.	NAME	DATE	

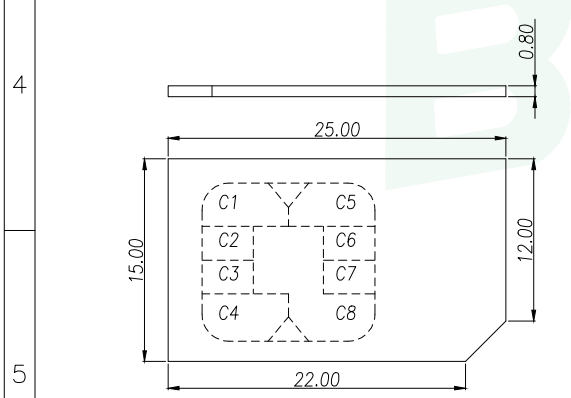


SPECIFICATION
MATERIAL:
 INSULATOR: HIGH TEMPERATURE THERMOPLASTIC,UL94V-0.
 COLOR:BLACK LCP
 CONTACT: COPPER ALLOY
PLATING:
 CONTACT: PLATED 50U" NI OVERALL
 PLATED AU SELECTIVE CONTACT AREA
 PLATED 100U" SN OVER NI ON SOLDER AREA
 SHELL: PLATED 50U" NI OVERALL
 PLATED 1U"AU SELECTIVE CONTACT AREA
ELECTRICAL:
 CURRENT RATING: 0.5AMPS
 VOLTAGE RATING: 5V AC/DC
 AMBIENT TEMPERATURE RANGE: -25°C~+85°C
 STORAGE TEMPERATURE RANGE: -40°C~+80°C
 AMBIENT HUMIDITY RANGE: 95% R.H. MAX.
 CONTACT RESISTANCE: 100MΩMAX.
 INSULATION RESISTANCE: 1000MΩMIN./500VDC
 MATING CYCLES: 5,000 INSERTIONS
 REFLOW PEAK TEMP: 260°C

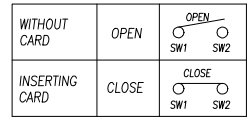


RECOMMENDED PCB LAYOUT
 GENERAL TOLERANCE ±0.05

MINI SIM CARD	
Pin No.	NAME
C1	VCC OF SIM
C2	RST OF SIM
C3	CLK OF SIM
C5	GND OF SIM
C6	VPP OF SIM
C7	I/O OF SIM
C4/C8	N/A
SW1	DETECTION SWITCH1
SW2	DETECTION SWITCH2



Circuit Diagram for Detect Switch



GENERAL TOLERANCE		DONGGUAN BAOXUN PRECISION TECHNOLOGY CO., LTD				
DIM.	TOL.	TITLE: MINI SIM CARD PUSH PUSH 6P+2P精桩				
X		DWG. NO.: SIM102-TD8P		DRAWN: MAX		
X.X	±0.30	PART NO.: SIM102-TD8P		CHECKED: ELLA		
X.XX	±0.25	UNIT: mm		APPROVED: WILL		
X.XXX	±0.15	SCALE: none	SHEET: 1of 1	DWG. SIZE: A4	LAYER: bxconn	
GENERAL ANGLE: ±3°						

X-ON Electronics

Largest Supplier of Electrical and Electronic Components

Click to view similar products for [Memory Card Connectors](#) category:

Click to view products by [BXCONN](#) manufacturer:

Other Similar products are found below :

[6407-249V-25273P](#) [6407-249V-25343P](#) [6426-201-21343](#) [69.920.0553.0](#) [MCR60A-98D-2.54DSA\(70\)](#) [809180410000000](#) [DM3AT-SF-PEJM5\(41\)](#) [IC11S-BUR-PNEJL\(71\)](#) [C70210M0083692](#) [252-0144-000](#) [2041353-2](#) [308-DS1P0811-192](#) [HM2P09PDR360N9LF](#) [10014744-011TLF](#) [11327-001](#) [11327-002](#) [NX1-32T-KT3K\(05\)](#) [95622-003LF](#) [84648-056HLF](#) [CCM03-3109 B LFT](#) [MS3116J10-6PW](#) [2309923-1](#) [61126-050CAHLF](#) [GTFP08432B1HR](#) [G85D1160022HHR](#) [SCE2MSDB76A121SN](#) [SCE2MSDZN76A121SN](#) [10014744-011ALF](#) [10014744-011LF](#) [10057542-1211FLF](#) [10067972-000LF](#) [10067972-050LF](#) [10122302-20110LF](#) [G85D1162022HHR](#) [TF-05A](#) [M6014-12](#) [XKNANO-1412](#) [SMN-304-ARP6](#) [MIS11-S1F1-2000-A](#) [SMN-308-ARSP7](#) [SMN-308-ACSP7](#) [K-DYX-008](#) [K-DYX-004](#) [HYCW126-TF18-150B](#) [C7024-03](#) [SMO-1030](#) [MCS-110-KT](#) [SIM-217](#) [SNO-1355-KT](#) [SMO-1025-P10](#)