

REV.	DESCRIPTION	ECN NO.	NAME	DATE

对插口处塑胶翘曲务必控制在0.15以内

C8	RESERVED
C7	I/O
C6	VPP
C5	GND
C4	RESERVED
C3	CLK
C2	RST
C1	VCC
PIN NO.	PIN NAME

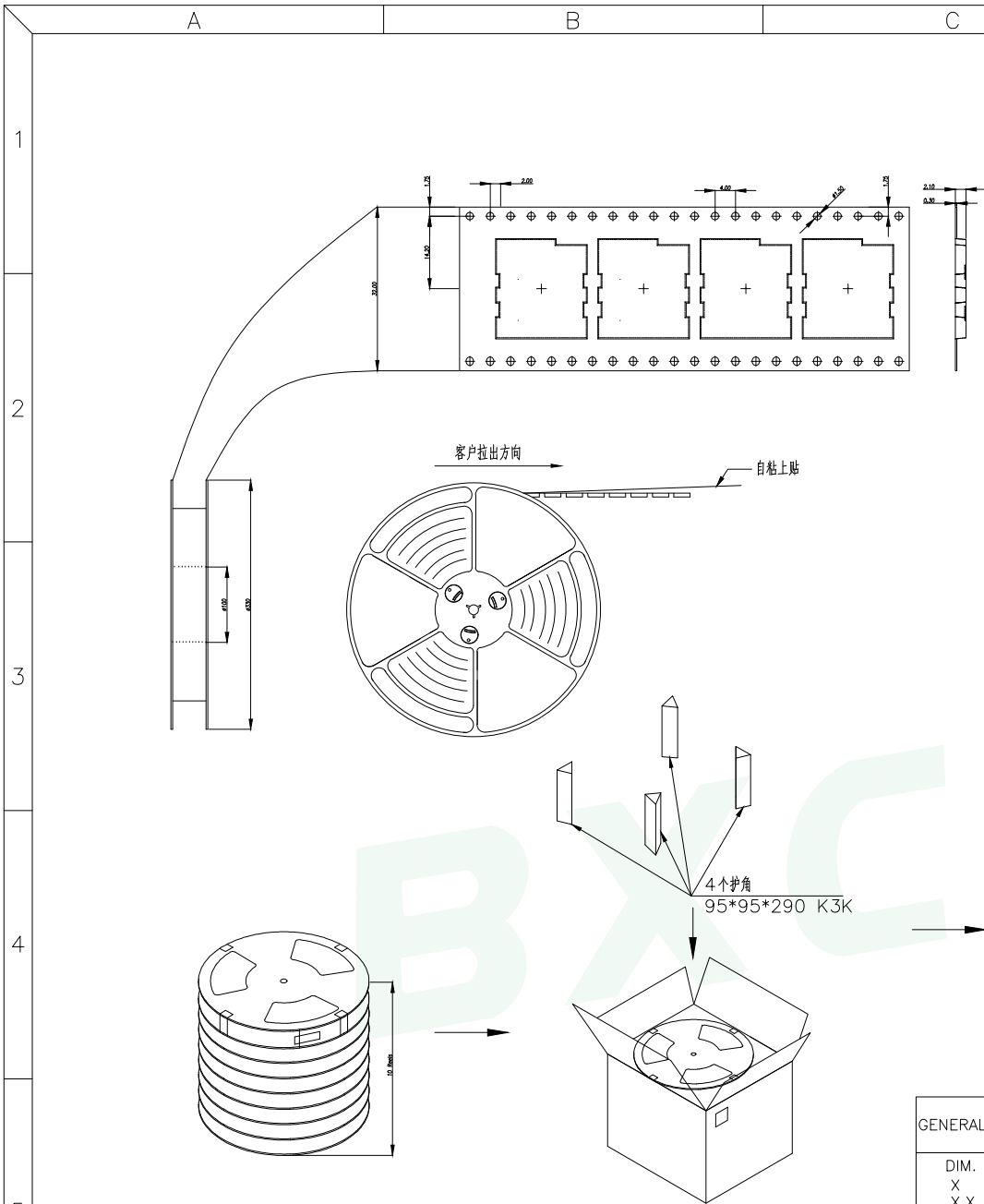
- NOTES:
- MATERIAL:
    - INSULATOR: HIGH TEMPERATURE THERMOPLASTIC, UL 94V-0
    - CONTACT: COPPER ALLOY
    - SHELL: SUS
  - ELECTRICAL CHARACTERISTICS:
    - 2-1. CURRENT RATING: 0.5 Amp. MAX.
    - 2-2. VOLTAGE: 100V DC. MAX.
    - 2-3. LOW LEVEL CONTACT RESISTANCE: 100 mOhms MAX. INITIALLY.
    - 2-4. DIELECTRIC WITHSTANDING VOLTAGE: 500V AC MIN. FOR 1 MINUTE.
    - 2-5. INSULATION RESISTANCE: (INITIAL) 1000MOhms MIN., (FINAL) 100MOhms MIN.

BY APPLYING 500V DC ON MATED AND UNMATED CONNECTORS THROUGH MIL-STD-202, METHOD 302.
  - MECHANICAL CHARACTERISTICS:
    - 3-1. DURABILITY: 5000 CYCLES.
    - 3-2. OPERATING TEMP. RANGE: -25°C TO +85°C. [INCLUDING TERMINAL TEMP. RISE]
    - 3-3. STORAGE TEMP.: -40°C TO 85°C.
  - DIMENSIONS MARKED "☒" ARE MAJOR CHECKED DIMENSIONS.
  - HARMFUL MATERIAL CONTROL PLEASE FOLLOW DOC. NO. "EP112".
  - QUANTITY OF PRODUCTS: 1000PCS/REEL
  - Salt spray time: 24H

GENERAL TOLERANCE	DONGGUAN BAOXUN PRECISION TECHNOLOGY CO., LTD				
DIM. TOL.	TITLE: MICRO SIM CARD PUSH PUSH 6PIN H1.35				
X	DWG. NO.: SIM202-TZ6P			DRAWN: MAX	
X.X ±0.30	PART NO.: SIM202-TZ6P			CHECKED: ELLA	
X.XX ±0.25	UNIT: mm	SCALE: none	SHEET: 1 of 1	DWG. SIZE: A4	LAYER: bxconn
X.XXX ±0.15	APPROVED: WILL				
GENERAL ANGLE: ±3°					

**BXCONN**<sup>®</sup>

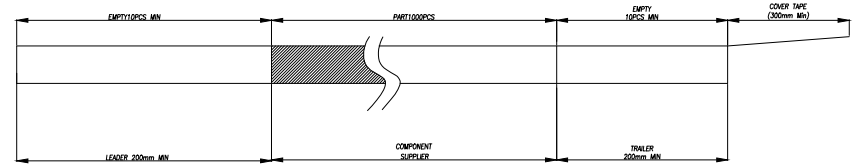




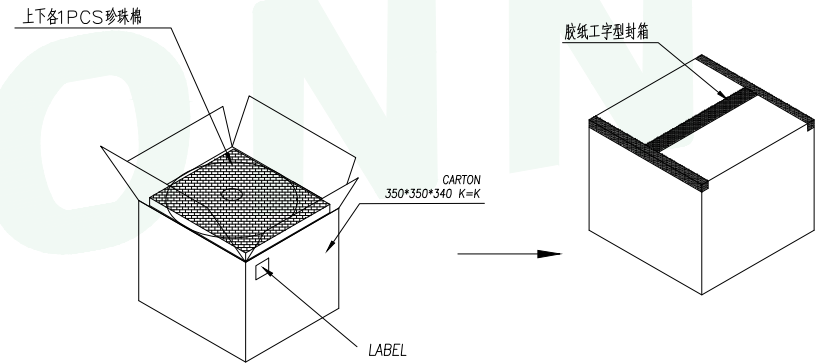
REV.	DESCRIPTION	ECN NO.	NAME	DATE



NOTES

1. NUMBER OF CONNECTORS:1000PCS/REEL
2. LEAD TAPE LENGTH



3. QUANTITY:10000PCS/CARTON



GENERAL TOLERANCE		DONGGUAN BAOXUN PRECISION TECHNOLOGY CO., LTD				 
DIM.	TOL.	TITLE: MICRO SIM CARD PUSH PUSH 6PIN H1.35				
X		DWG. NO.: SIM202-TZ6P		DRAWN: MAX		
X.X	±0.30	PART NO.: SIM202-TZ6P		CHECKED: ELLA		
X.XX	±0.25	UNIT: mm		APPROVED: WILL		
X.XXX	±0.15	SCALE: none	SHEET: 1 of 1	DWG. SIZE: A4	LAYER: bxconn	
GENERAL ANGLE:	±3°					

## X-ON Electronics

Largest Supplier of Electrical and Electronic Components

*Click to view similar products for [Memory Card Connectors](#) category:*

*Click to view products by [BXCONN](#) manufacturer:*

Other Similar products are found below :

[6407-249V-25273P](#) [6407-249V-25343P](#) [6426-201-21343](#) [69.920.0553.0](#) [MCR60A-98D-2.54DSA\(70\)](#) [809180410000000](#) [DM3AT-SF-PEJM5\(41\)](#) [IC11S-BUR-PNEJL\(71\)](#) [C70210M0083692](#) [252-0144-000](#) [2041353-2](#) [308-DS1P0811-192](#) [HM2P09PDR360N9LF](#) [10014744-011TLF](#) [11327-001](#) [11327-002](#) [NX1-32T-KT3K\(05\)](#) [95622-003LF](#) [84648-056HLF](#) [CCM03-3109 B LFT](#) [MS3116J10-6PW](#) [2309923-1](#) [61126-050CAHLF](#) [GTFP08432B1HR](#) [G85D1160022HHR](#) [SCE2MSDB76A121SN](#) [SCE2MSDZN76A121SN](#) [10014744-011ALF](#) [10014744-011LF](#) [10057542-1211FLF](#) [10067972-000LF](#) [10067972-050LF](#) [10122302-20110LF](#) [G85D1162022HHR](#) [TF-05A](#) [M6014-12](#) [XKNANO-1412](#) [SMN-304-ARP6](#) [MIS11-S1F1-2000-A](#) [SMN-308-ARSP7](#) [SMN-308-ACSP7](#) [K-DYX-008](#) [K-DYX-004](#) [HYCW126-TF18-150B](#) [C7024-03](#) [SMO-1030](#) [MCS-110-KT](#) [SIM-217](#) [SNO-1355-KT](#) [SMO-1025-P10](#)