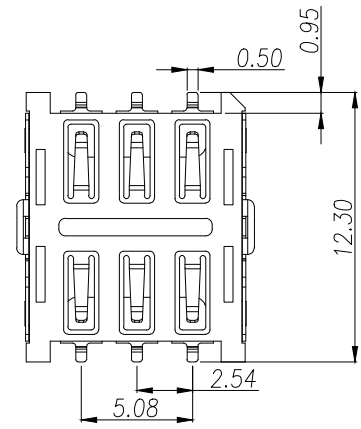
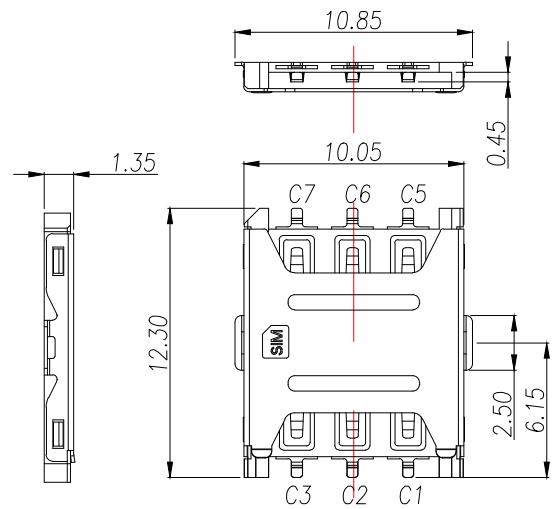
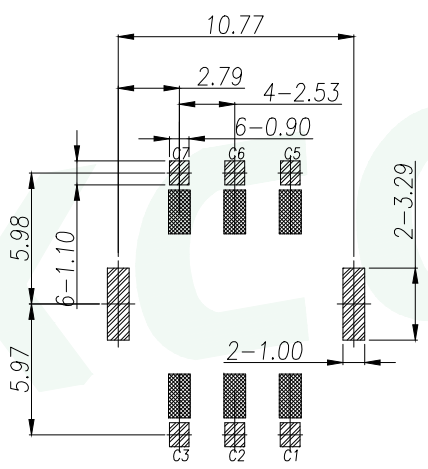


REV.	DESCRIPTION	ECN NO.	NAME	DATE

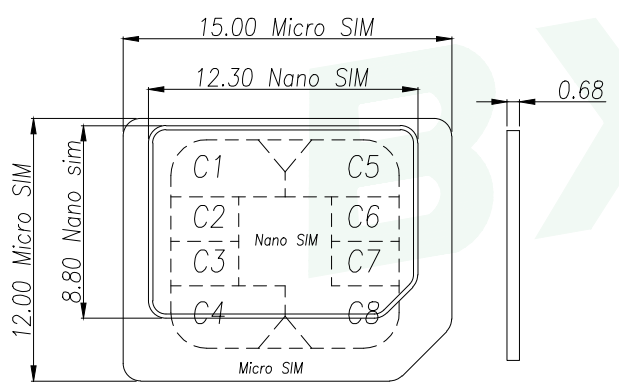
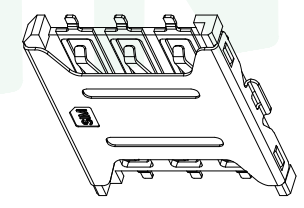
1
2
3
4
5



SPECIFICATION
MATERIAL:
 INSULATOR: HIGH TEMPERATURE THERMOPLASTIC,UL 94V-0.
 CONTACT: C5210
 SHELL: SUS
PLATING:
 CONTACT: PLATED 50U" NI OVERALL CONTACT ALL AU 1U
 SHELL: PLATED 50U" NI OVERALL,PAD AU 1U
ELECTRICAL:
 CURRENT RATING: 0.5MA AC/DC MAX
 VOLTAGE RATING: 125V AC/DC
 AMBIENT TEMPERATURE RANGE: -20°C~+60°C
 STORAGE TEMPERATURE RANGE: -40°C~+70°C
 AMBIENT HUMIDITY RANGE: 95% R.H. MAX.
 CONTACT RESISTANCE: 100MOMAX.
 INSULATION RESISTANCE: 1000MOMIN./500VDC
 REFLOW PEAK TEMP: 260°C ±5°C, 3~5 S
 MATING CYCLES: 3,000 INSERTIONS MIN



NANO SIM CARD	
Pin No.	NAME
C1	VCC OF SIM
C2	RST OF SIM
C3	CLK OF SIM
C5	GND OF SIM
C6	VPP OF SIM
C7	I/O OF SIM
C4/C8	N/A



▨ PAD AREA
 ▩ KEEP OUT AREA
 RECOMMENDED PCB LAYOUT
 GENERAL TOLERANCE ±0.05

GENERAL TOLERANCE		DONGGUAN BAOXUN PRECISION TECHNOLOGY CO., LTD				
DIM. TOL.		TITLE: NANO SIM CARD PUSH PULL 6PIN H1.35无#				
X ±0.30		DWG. NO.: SIM302-CZ6P		DRAWN: MAX		
X.X ±0.25		PART NO.: SIM302-CZ6P		CHECKED: ELLA		
X.XX ±0.15		UNIT: mm		SCALE: none	APPROVED: WILL	
X.XXX ±0.15		SHEET: 1 of 1		DWG. SIZE: A4	LAYER: bxconn	
GENERAL ANGLE: ±3°						

X-ON Electronics

Largest Supplier of Electrical and Electronic Components

Click to view similar products for [Memory Card Connectors](#) category:

Click to view products by [BXCONN](#) manufacturer:

Other Similar products are found below :

[6407-249V-25273P](#) [6407-249V-25343P](#) [6426-201-21343](#) [69.920.0553.0](#) [MCR60A-98D-2.54DSA\(70\)](#) [809180410000000](#) [DM3AT-SF-PEJM5\(41\)](#) [IC11S-BUR-PNEJL\(71\)](#) [C70210M0083692](#) [252-0144-000](#) [2041353-2](#) [308-DS1P0811-192](#) [HM2P09PDR360N9LF](#) [10014744-011TLF](#) [11327-001](#) [11327-002](#) [NX1-32T-KT3K\(05\)](#) [95622-003LF](#) [84648-056HLF](#) [CCM03-3109 B LFT](#) [MS3116J10-6PW](#) [2309923-1](#) [61126-050CAHLF](#) [GTFP08432B1HR](#) [G85D1160022HHR](#) [SCE2MSDB76A121SN](#) [SCE2MSDZN76A121SN](#) [10014744-011ALF](#) [10014744-011LF](#) [10057542-1211FLF](#) [10067972-000LF](#) [10067972-050LF](#) [10122302-20110LF](#) [G85D1162022HHR](#) [TF-05A](#) [M6014-12](#) [XKNANO-1412](#) [SMN-304-ARP6](#) [MIS11-S1F1-2000-A](#) [SMN-308-ARSP7](#) [SMN-308-ACSP7](#) [K-DYX-008](#) [K-DYX-004](#) [HYCW126-TF18-150B](#) [C7024-03](#) [SMO-1030](#) [MCS-110-KT](#) [SIM-217](#) [SNO-1355-KT](#) [SMO-1025-P10](#)