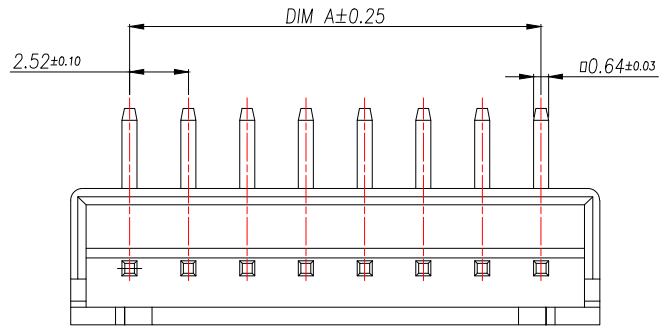


REV.	DESCRIPTION	ECN NO.	NAME	DATE

1

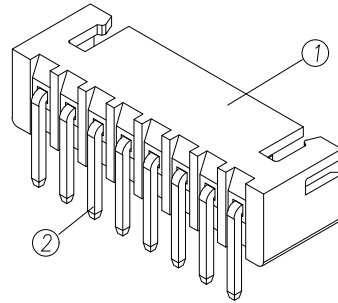


技术要求:

1. 塑料材料: PA66 (UL-94V-0)
2. 接触件: 黄铜镀锡
3. 接触电阻: <math>\le 10m\Omega</math>
4. 绝缘电阻: <math>\ge 1000M\Omega</math>
5. 额定电压: 250V AC DC
6. 额定电流: 3.0A AC DC
7. 耐压: 能承受 1000V AC/Minute
8. 工作温度: <math>-25^{\circ}\sim +85^{\circ}</math>
9. 可焊性试验: 浸锡面积 > 95% 温度 <math>235^{\pm 5}</math>, 时间 <math>2.5 \pm 0.5</math> 秒
10. 铅和铜等六大有害物质含量要符合环保要求

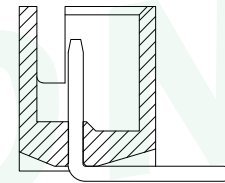
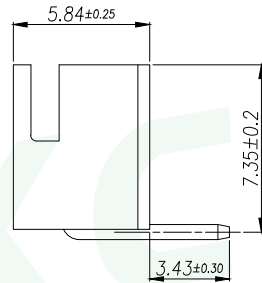
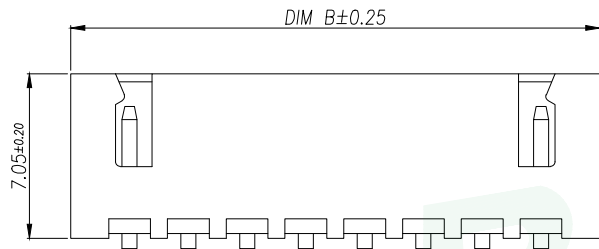
PRELIMINARY  
DESIGN IS SUBJECT  
TO CHANGE WITHOUT  
PRIOR NOTICE

2



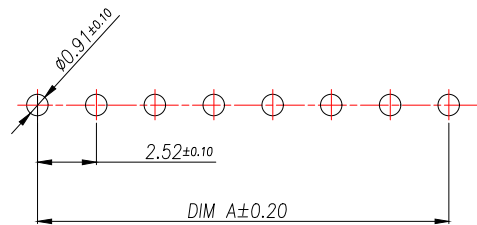
Part No	PIN	A	B
WF-1B254A2P	2	2.5	7.5
WF-1B254A3P	3	5.0	10.0
WF-1B254A4P	4	7.5	12.5
WF-1B254A5P	5	10.0	15.0
WF-1B254A6P	6	12.5	17.5
WF-1B254A7P	7	15.0	20.0
WF-1B254A8P	8	17.5	22.5
WF-1B254A8P	9	20.0	25.0
WF-1B254A9P	10	22.5	27.5
WF-1B254A11P	11	25.0	30.0
WF-1B254A12P	12	27.5	32.5
WF-1B254A13P	13	30.0	35.0
.....	...	...	...
WF-1B254A20P	20	(20-1)*2.5	(20+1)*2.5

3



SECTION A-A

4



SUGGESTED PCB LAYOUT  
(COMPONENT SIDE)

5

2	Contact	Brass	n*1	电镀(锡): 整个表面镀成锡30u"MIN,再镀锡80u"MIN.											
1	Wafer	PA66(UL94V-0)	1	本色											
序号	名称	材料	数量	附注											
GENERAL TOLERANCE		DONGGUAN BAOXUN PRECISION TECHNOLOGY CO., LTD													
DIM. TOL.		TITLE: WAFER 2.54mm H7.0mm 90° DIP													
X ±0.30		<table border="1" style="width:100%; border-collapse: collapse;"> <tr> <td style="width:50%;">DWG. NO.: WF-1B254ANP</td> <td style="width:50%;">DRAWN: MAX</td> </tr> <tr> <td>PART NO.: WF-1B254ANP</td> <td>CHECKED: ELLA</td> </tr> <tr> <td>UNIT: mm</td> <td>SCALE: none</td> </tr> <tr> <td>SHEET: 1 of 1</td> <td>DWG. SIZE: A4</td> </tr> <tr> <td colspan="2">LAYER: bxconn</td> <td>APPROVED: WILL</td> </tr> </table>			DWG. NO.: WF-1B254ANP	DRAWN: MAX	PART NO.: WF-1B254ANP	CHECKED: ELLA	UNIT: mm	SCALE: none	SHEET: 1 of 1	DWG. SIZE: A4	LAYER: bxconn		APPROVED: WILL
DWG. NO.: WF-1B254ANP	DRAWN: MAX														
PART NO.: WF-1B254ANP	CHECKED: ELLA														
UNIT: mm	SCALE: none														
SHEET: 1 of 1	DWG. SIZE: A4														
LAYER: bxconn		APPROVED: WILL													
X.XX ±0.25															
X.XXX ±0.15															
GENERAL ANGLE: ±3°															



## X-ON Electronics

Largest Supplier of Electrical and Electronic Components

*Click to view similar products for [Headers & Wire Housings](#) category:*

*Click to view products by [BXCONN](#) manufacturer:*

Other Similar products are found below :

[0015917161](#) [0022155065](#) [57102-F02-18ULF](#) [58102-G61-06LF](#) [582553-1](#) [01.001.5753.1](#) [0050291907](#) [02.125.8002.8](#) [609-3404](#) [61062-3](#)  
[CSU011177004](#) [622-0430](#) [622-3653LF](#) [63453-116](#) [636-1030](#) [636-1427](#) [636-3427](#) [636-4007](#) [641938-9](#) [65495-038](#) [65692-001LF](#) [65781-018](#)  
[65781-047](#) [65817-010LF](#) [65817-015LF](#) [67095-007LF](#) [67601157](#) [68631-112](#) [699319-000](#) [70.362.1628.0](#) [70-4210](#) [70-4226B](#) [70-4853B](#) [707-](#)  
[5028](#) [71.350.2428.0](#) [733-134](#) [733-162](#) [760-3052](#) [MHR-64-VUAL](#) [80.063.4001.1](#) [800-90-001-10-001000](#) [801-43-002-10-013000](#)  
[801-43-006-10-002000](#) [803-43-024-10-001000](#) [803-93-012-10-001000](#) [8-1437020-4](#) [819-22-004-30-001101](#) [820-22-006-30-001101](#)  
[820-22-008-30-001101](#) [821-22-002-10-001101](#)