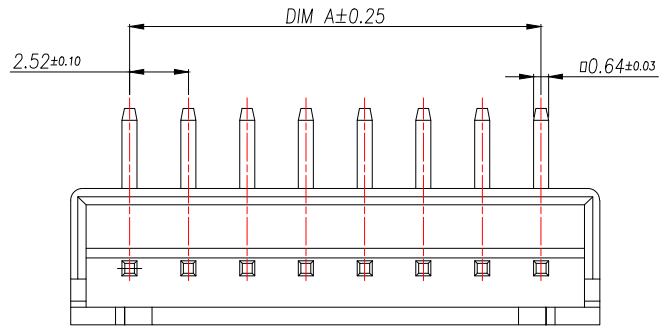


| REV. | DESCRIPTION | ECN NO. | NAME | DATE |
|------|-------------|---------|------|------|
| | | | | |

1

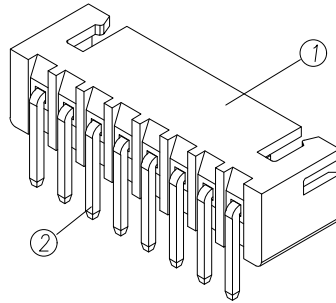


技术要求:

1. 塑料材料: PA66 (UL-94V-0)
2. 接触件: 黄铜镀锡
3. 接触电阻: $\le 10m\Omega$
4. 绝缘电阻: $\ge 1000M\Omega$
5. 额定电压: 250V AC DC
6. 额定电流: 3.0A AC DC
7. 耐压: 能承受 1000V AC/Minute
8. 工作温度: $-25^{\circ}\sim +85^{\circ}$
9. 可焊性试验: 浸锡面积 > 95% 温度 $235^{\pm 5}$, 时间 2.5 ± 0.5 秒
10. 铅和铜等六大有害物质含量要符合环保要求

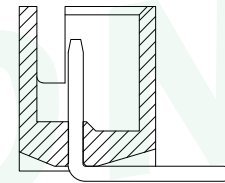
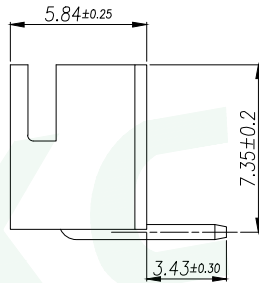
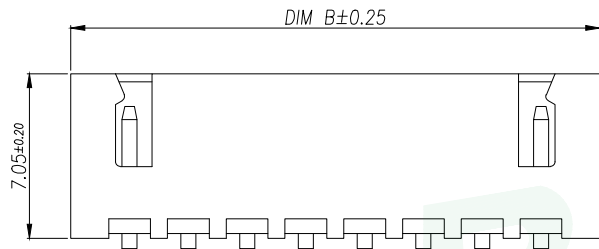
PRELIMINARY
DESIGN IS SUBJECT
TO CHANGE WITHOUT
PRIOR NOTICE

2



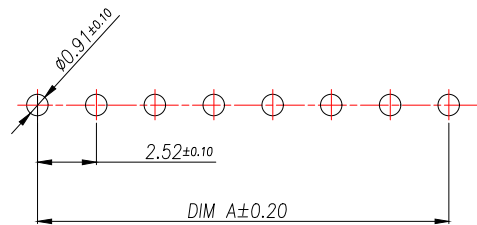
| Part No | PIN | A | B |
|--------------|-----|------------|------------|
| WF-1B254A2P | 2 | 2.5 | 7.5 |
| WF-1B254A3P | 3 | 5.0 | 10.0 |
| WF-1B254A4P | 4 | 7.5 | 12.5 |
| WF-1B254A5P | 5 | 10.0 | 15.0 |
| WF-1B254A6P | 6 | 12.5 | 17.5 |
| WF-1B254A7P | 7 | 15.0 | 20.0 |
| WF-1B254A8P | 8 | 17.5 | 22.5 |
| WF-1B254A8P | 9 | 20.0 | 25.0 |
| WF-1B254A9P | 10 | 22.5 | 27.5 |
| WF-1B254A11P | 11 | 25.0 | 30.0 |
| WF-1B254A12P | 12 | 27.5 | 32.5 |
| WF-1B254A13P | 13 | 30.0 | 35.0 |
| | ... | ... | ... |
| WF-1B254A20P | 20 | (20-1)*2.5 | (20+1)*2.5 |

3



SECTION A-A

4



SUGGESTED PCB LAYOUT
(COMPONENT SIDE)

5

| | | | | |
|--------------------|---------|---|---------------|-----------------------------------|
| 2 | Contact | Brass | n*1 | 电镀(锡): 整个表面镀成锡30u"MIN,再镀锡80u"MIN. |
| 1 | Wafer | PA66(UL94V-0) | 1 | 本色 |
| 序号 | 名称 | 材料 | 数量 | 附注 |
| GENERAL TOLERANCE | | DONGGUAN BAOXUN PRECISION TECHNOLOGY CO., LTD | | |
| DIM. TOL. | | TITLE: WAFER 2.54mm H7.0mm 90° DIP | | |
| X ±0.30 | | DWG. NO.: WF-1B254ANP | | |
| X.X ±0.25 | | | | |
| X.XX ±0.15 | | PART NO.: WF-1B254ANP | | |
| X.XXX ±0.15 | | CHECKED: ELLA | | |
| GENERAL ANGLE: ±3° | | APPROVED: WILL | | |
| | | UNIT: mm | SCALE: none | SHEET: 1 of 1 |
| | | DWG. SIZE: A4 | LAYER: bxconn | |



X-ON Electronics

Largest Supplier of Electrical and Electronic Components

Click to view similar products for [Headers & Wire Housings](#) category:

Click to view products by [BXCONN](#) manufacturer:

Other Similar products are found below :

[0015917161](#) [0022155065](#) [57102-F02-18ULF](#) [58102-G61-06LF](#) [582553-1](#) [01.001.5753.1](#) [0050291907](#) [02.125.8002.8](#) [609-3404](#) [61062-3](#)
[CSU011177004](#) [622-0430](#) [622-3653LF](#) [63453-116](#) [636-1030](#) [636-1427](#) [636-3427](#) [636-4007](#) [641938-9](#) [65495-038](#) [65692-001LF](#) [65781-018](#)
[65781-047](#) [65817-010LF](#) [65817-015LF](#) [67095-007LF](#) [67601157](#) [68631-112](#) [699319-000](#) [70.362.1628.0](#) [70-4210](#) [70-4226B](#) [70-4853B](#) [707-](#)
[5028](#) [71.350.2428.0](#) [733-134](#) [733-162](#) [760-3052](#) [MHR-64-VUAL](#) [80.063.4001.1](#) [800-90-001-10-001000](#) [801-43-002-10-013000](#)
[801-43-006-10-002000](#) [803-43-024-10-001000](#) [803-93-012-10-001000](#) [8-1437020-4](#) [819-22-004-30-001101](#) [820-22-006-30-001101](#)
[820-22-008-30-001101](#) [821-22-002-10-001101](#)