

| | | | | | | | | | |
|------|-------------|---|--|---|---------|------|------|---|--|
| A | | B | | C | | D | | E | |
| REV. | DESCRIPTION | | | | ECN NO. | NAME | DATE | | |
| | | | | | | | | | |

PRELIMINARY
DESIGN IS SUBJECT
TO CHANGE WITHOUT
PRIOR NOTICE

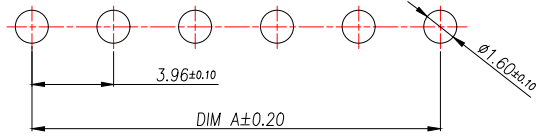
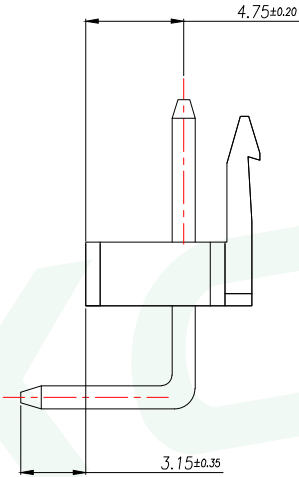
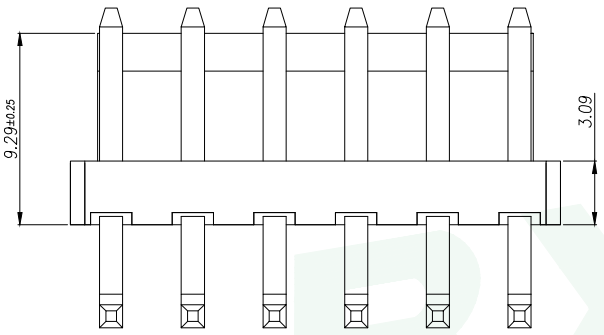
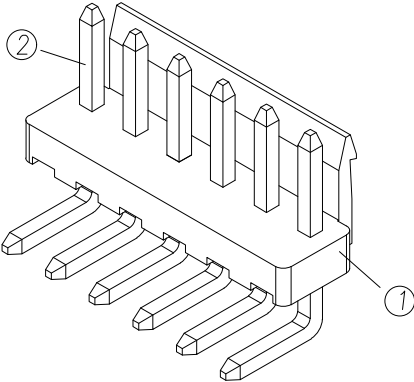
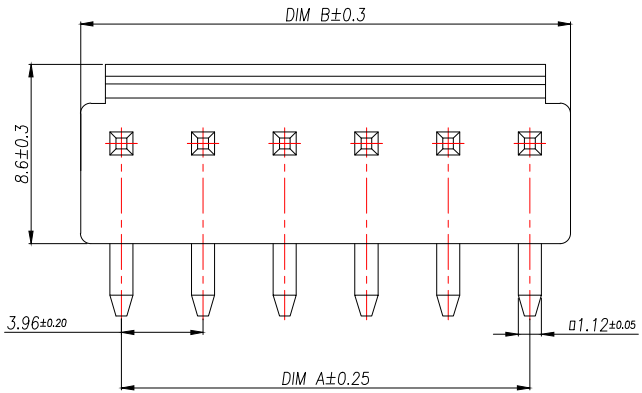
| Part No | PIN | A | B |
|----------------|-----|-------------|---------|
| WF-1B396A2P-Y | 2 | 3.96 | 7.92 |
| WF-1B396A3P-Y | 3 | 7.92 | 11.88 |
| WF-1B396A4P-Y | 4 | 11.88 | 15.84 |
| WF-1B396A5P-Y | 5 | 15.84 | 19.80 |
| WF-1B396A6P-Y | 6 | 19.80 | 23.76 |
| WF-1B396A7P-Y | 7 | 23.76 | 27.72 |
| WF-1B396A8P-Y | 8 | 27.72 | 31.68 |
| WF-1B396A9P-Y | 9 | 31.68 | 35.64 |
| WF-1B396A10P-Y | 10 | 35.64 | 39.60 |
| WF-1B396A11P-Y | 11 | 39.60 | 43.56 |
| WF-1B396A12P-Y | 12 | 43.56 | 47.52 |
| WF-1B396A13P-Y | 13 | 47.52 | 51.48 |
| ... | ... | ... | ... |
| WF-1B396A20P-Y | 20 | (20-1)×3.96 | 20×3.96 |

- 技术要求:
- 1、塑件材料:PA66 (UL-94V-0)
 - 2、接触件:黄铜镀锡
 - 3、接触电阻: $\leq 20m\Omega$
 - 4、绝缘电阻: $\geq 1000M\Omega$
 - 5、额定电压:250V AC DC
 - 6、额定电流:7.0A AC DC
 - 7、耐压:能承受1000V AC/Minute
 - 8、工作温度: $-25^{\circ}\sim+85^{\circ}$
 - 9、可焊性试验:浸锡面积 $\geq 95\%$ 温度 $220\pm 5^{\circ}$,时间 2.5 ± 0.5 秒
 - 10、铅和镉等六大有害物质含量要符合环保要求

| | | | | |
|----|---------|---------------|-----|---------------------------------|
| 2 | Contact | Brass | n*1 | 电镀(锡):整个表面镀层30u"MIN,再镀锡80u"MIN. |
| 1 | Wafer | PA66(UL94V-0) | 1 | 红色 |
| 序号 | 名称 | 材料 | 数量 | 备注 |

| | | | | | |
|-------------------|-----------------|---|-------------|---------------|---------------|
| GENERAL TOLERANCE | | DONGGUAN BAOXUN PRECISION TECHNOLOGY CO., LTD | | | |
| DIM. | TOL. | TITLE: WAFER 3.96mm 180°SMT 红色 | | | |
| X | | DWG. NO.: WF-1B396ANP-Y | | DRAWN: MAX | |
| X.X | ± 0.30 | PART NO.: WF-1B396ANP-Y | | CHECKED: ELLA | |
| X.XX | ± 0.25 | APPROVED: WILL | | | |
| X.XXX | ± 0.15 | UNIT: mm | SCALE: none | SHEET: 1 of 1 | DWG. SIZE: A4 |
| GENERAL ANGLE: | $\pm 3^{\circ}$ | LAYER: bxconn | | | |

BXCONN[®]



SUGGESTED PCB LAYOUT
(COMPONENT SIDE)

X-ON Electronics

Largest Supplier of Electrical and Electronic Components

Click to view similar products for [Headers & Wire Housings](#) category:

Click to view products by [BXCONN](#) manufacturer:

Other Similar products are found below :

[0015917161](#) [0022155065](#) [57102-F02-18ULF](#) [58102-G61-06LF](#) [582553-1](#) [01.001.5753.1](#) [0050291907](#) [02.125.8002.8](#) [609-3404](#) [61062-3](#)
[CSU011177004](#) [622-0430](#) [622-3653LF](#) [63453-116](#) [636-1030](#) [636-1427](#) [636-3427](#) [636-4007](#) [641938-9](#) [65495-038](#) [65692-001LF](#) [65781-018](#)
[65781-047](#) [65817-010LF](#) [65817-015LF](#) [67095-007LF](#) [67601157](#) [68631-112](#) [699319-000](#) [70.362.1628.0](#) [70-4210](#) [70-4226B](#) [70-4853B](#) [707-](#)
[5028](#) [71.350.2428.0](#) [733-134](#) [733-162](#) [760-3052](#) [MHR-64-VUAL](#) [80.063.4001.1](#) [800-90-001-10-001000](#) [801-43-002-10-013000](#)
[801-43-006-10-002000](#) [803-43-024-10-001000](#) [803-93-012-10-001000](#) [8-1437020-4](#) [819-22-004-30-001101](#) [820-22-006-30-001101](#)
[820-22-008-30-001101](#) [821-22-002-10-001101](#)