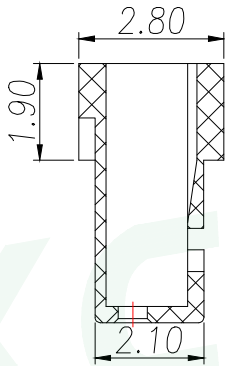
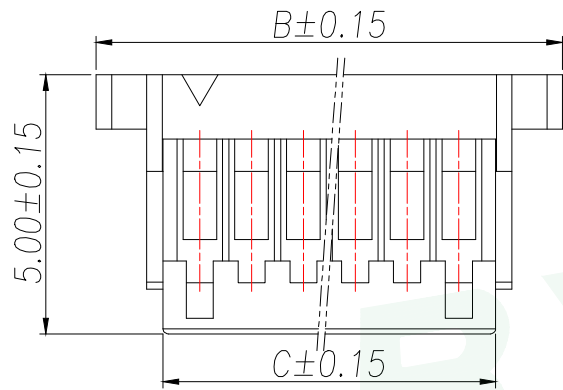
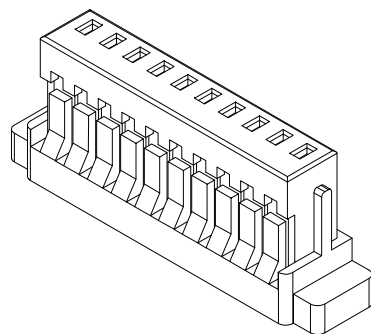
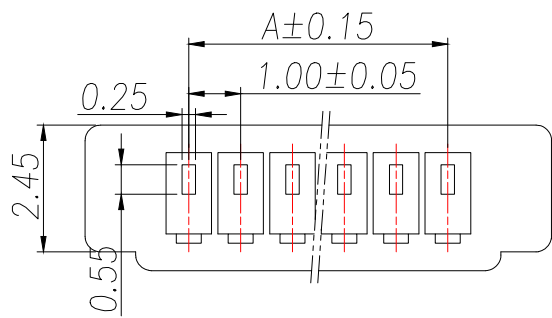


| | | | | | | | | | |
|------|-------------|---|--|---|---------|------|------|---|--|
| A | | B | | C | | D | | E | |
| REV. | DESCRIPTION | | | | ECN NO. | NAME | DATE | | |
| | | | | | | | | | |





| Part No | Pin | A | B | C |
|--------------|-----|-------|-------|-------|
| WF-1D100A2P | 2 | 1.00 | 5.00 | 2.40 |
| WF-1D100A3P | 3 | 2.00 | 6.00 | 3.40 |
| WF-1D100A4P | 4 | 3.00 | 7.00 | 4.40 |
| WF-1D100A5P | 5 | 4.00 | 8.00 | 5.40 |
| WF-1D100A6P | 6 | 5.00 | 9.00 | 6.40 |
| WF-1D100A7P | 7 | 6.00 | 10.00 | 7.40 |
| WF-1D100A8P | 8 | 7.00 | 11.00 | 8.40 |
| WF-1D100A9P | 9 | 8.00 | 12.00 | 9.40 |
| WF-1D100A10P | 10 | 9.00 | 13.00 | 10.40 |
| WF-1D100A11P | 11 | 10.00 | 14.00 | 11.40 |
| WF-1D100A12P | 12 | 11.00 | 15.00 | 12.40 |
| WF-1D100A13P | 13 | 12.00 | 16.00 | 13.40 |
| WF-1D100A14P | 14 | 13.00 | 17.00 | 14.40 |
| WF-1D100A15P | 15 | 14.00 | 18.00 | 15.40 |
| WF-1D100A16P | 16 | 15.00 | 19.00 | 16.40 |
| WF-1D100A17P | 17 | 16.00 | 20.00 | 17.40 |
| WF-1D100A18P | 18 | 17.00 | 21.00 | 18.40 |
| WF-1D100A19P | 19 | 18.00 | 22.00 | 19.40 |
| WF-1D100A20P | 20 | 19.00 | 23.00 | 20.40 |

技术要求Specification:

- 1、材质Material: PA66 UL94V-0;
- 2、塑件表面平整光洁, 无明显的毛刺、气泡、变形、浇口拉伤、缺料等不良现象。

Plastic surface smooth and clean, no obvious burrs, bubbles, distortion, gate strain, lack of material and other undesirable phenomena.

| | | | | | | |
|--------------------|-------|---|---------------|----------------|---------------|--|
| GENERAL TOLERANCE | | DONGGUAN BAOXUN PRECISION TECHNOLOGY CO., LTD | | | |   |
| DIM. TOL. | | TITLE: SH1.0MM HOUSING | | | | |
| X | | DWG. NO.: WF-1D100ANP | | DRAWN: MAX | | |
| X.X | ±0.30 | PART NO.: WF-1D100ANP | | CHECKED: ELLA | | |
| X.XX | ±0.25 | UNIT: mm | | APPROVED: WILL | | |
| X.XXX | ±0.15 | SCALE: none | SHEET: 1 of 1 | DWG. SIZE: A4 | LAYER: bxconn | |
| GENERAL ANGLE: ±3° | | | | | | |

X-ON Electronics

Largest Supplier of Electrical and Electronic Components

Click to view similar products for [Headers & Wire Housings](#) category:

Click to view products by [BXCONN](#) manufacturer:

Other Similar products are found below :

[0015917161](#) [0022155065](#) [57102-F02-18ULF](#) [58102-G61-06LF](#) [582553-1](#) [01.001.5753.1](#) [0050291907](#) [02.125.8002.8](#) [609-3404](#) [61062-3](#)
[CSU011177004](#) [622-0430](#) [622-3653LF](#) [63453-116](#) [636-1030](#) [636-1427](#) [636-3427](#) [636-4007](#) [641938-9](#) [65495-038](#) [65692-001LF](#) [65781-018](#)
[65781-047](#) [65817-010LF](#) [65817-015LF](#) [67095-007LF](#) [67601157](#) [68631-112](#) [699319-000](#) [70.362.1628.0](#) [70-4210](#) [70-4226B](#) [70-4853B](#) [707-](#)
[5028](#) [71.350.2428.0](#) [733-134](#) [733-162](#) [760-3052](#) [MHR-64-VUAL](#) [80.063.4001.1](#) [800-90-001-10-001000](#) [801-43-002-10-013000](#)
[801-43-006-10-002000](#) [803-43-024-10-001000](#) [803-93-012-10-001000](#) [8-1437020-4](#) [819-22-004-30-001101](#) [820-22-006-30-001101](#)
[820-22-008-30-001101](#) [821-22-002-10-001101](#)