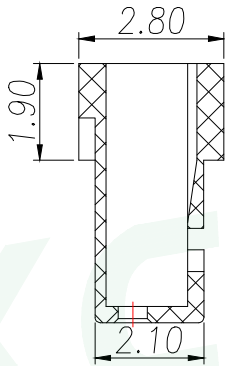
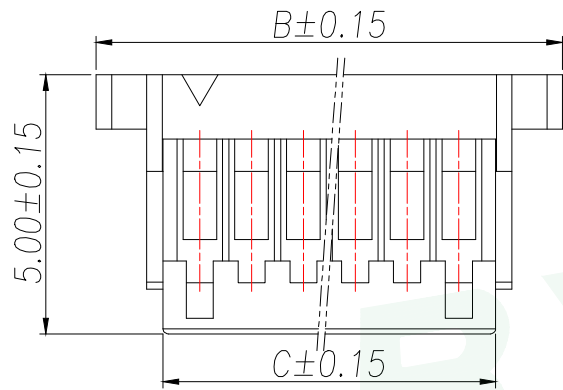
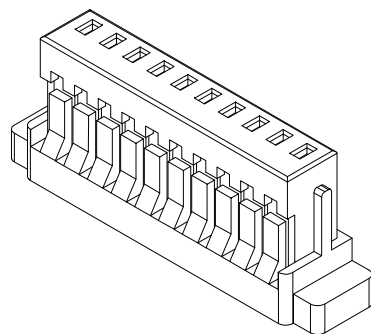
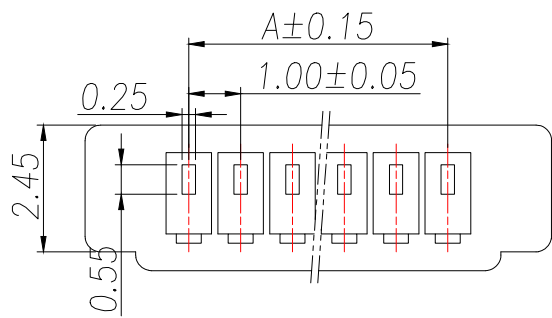


A		B		C		D		E	
REV.	DESCRIPTION				ECN NO.	NAME	DATE		





Part No	Pin	A	B	C
WF-1D100A2P	2	1.00	5.00	2.40
WF-1D100A3P	3	2.00	6.00	3.40
WF-1D100A4P	4	3.00	7.00	4.40
WF-1D100A5P	5	4.00	8.00	5.40
WF-1D100A6P	6	5.00	9.00	6.40
WF-1D100A7P	7	6.00	10.00	7.40
WF-1D100A8P	8	7.00	11.00	8.40
WF-1D100A9P	9	8.00	12.00	9.40
WF-1D100A10P	10	9.00	13.00	10.40
WF-1D100A11P	11	10.00	14.00	11.40
WF-1D100A12P	12	11.00	15.00	12.40
WF-1D100A13P	13	12.00	16.00	13.40
WF-1D100A14P	14	13.00	17.00	14.40
WF-1D100A15P	15	14.00	18.00	15.40
WF-1D100A16P	16	15.00	19.00	16.40
WF-1D100A17P	17	16.00	20.00	17.40
WF-1D100A18P	18	17.00	21.00	18.40
WF-1D100A19P	19	18.00	22.00	19.40
WF-1D100A20P	20	19.00	23.00	20.40

技术要求Specification:

- 1、材质Material: PA66 UL94V-0;
- 2、塑件表面平整光洁, 无明显的毛刺、气泡、变形、浇口拉伤、缺料等不良现象。

Plastic surface smooth and clean, no obvious burrs, bubbles, distortion, gate strain, lack of material and other undesirable phenomena.

GENERAL TOLERANCE		DONGGUAN BAOXUN PRECISION TECHNOLOGY CO., LTD				 
DIM. TOL.		TITLE: SH1.0MM HOUSING				
X		DWG. NO.: WF-1D100ANP		DRAWN: MAX		
X.X	±0.30	PART NO.: WF-1D100ANP		CHECKED: ELLA		
X.XX	±0.25	UNIT: mm		APPROVED: WILL		
X.XXX	±0.15	SCALE: none	SHEET: 1 of 1	DWG. SIZE: A4	LAYER: bxconn	
GENERAL ANGLE: ±3°						

X-ON Electronics

Largest Supplier of Electrical and Electronic Components

Click to view similar products for [Headers & Wire Housings](#) category:

Click to view products by [BXCONN](#) manufacturer:

Other Similar products are found below :

[0015917161](#) [0022155065](#) [57102-F02-18ULF](#) [58102-G61-06LF](#) [582553-1](#) [01.001.5753.1](#) [0050291907](#) [02.125.8002.8](#) [609-3404](#) [61062-3](#)
[CSU011177004](#) [622-0430](#) [622-3653LF](#) [63453-116](#) [636-1030](#) [636-1427](#) [636-3427](#) [636-4007](#) [641938-9](#) [65495-038](#) [65692-001LF](#) [65781-018](#)
[65781-047](#) [65817-010LF](#) [65817-015LF](#) [67095-007LF](#) [67601157](#) [68631-112](#) [699319-000](#) [70.362.1628.0](#) [70-4210](#) [70-4226B](#) [70-4853B](#) [707-](#)
[5028](#) [71.350.2428.0](#) [733-134](#) [733-162](#) [760-3052](#) [MHR-64-VUAL](#) [80.063.4001.1](#) [800-90-001-10-001000](#) [801-43-002-10-013000](#)
[801-43-006-10-002000](#) [803-43-024-10-001000](#) [803-93-012-10-001000](#) [8-1437020-4](#) [819-22-004-30-001101](#) [820-22-006-30-001101](#)
[820-22-008-30-001101](#) [821-22-002-10-001101](#)