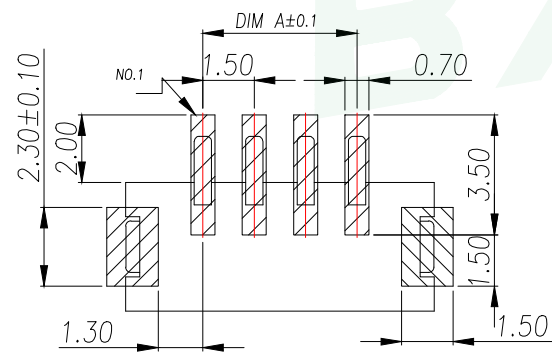
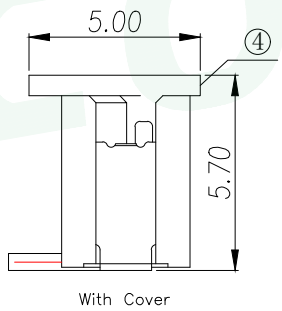
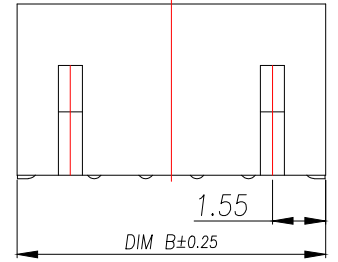
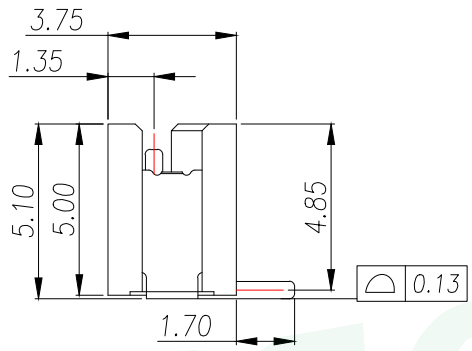
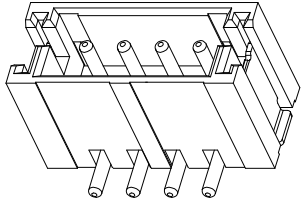
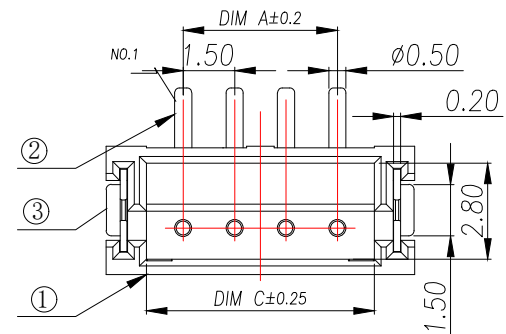


REV.	DESCRIPTION	ECN NO.	NAME	DATE

- NOTES:
- Working temp: -25°C~85°C.
  - Voltage rating: 100V AV/DC(rms)
  - Contact resistance: 40mΩ max.
  - Insulation resistance: 500MΩ min.
  - Current rating: 1A AV/DC
  - Withstanding Voltage: 500V AC/minute
  - Pin Retention Force: 10N min.
  - Housing material: LCP UL94-V0, Natural
  - Terminal mater: Brass C2680,  
plating Ni 50u" min , plating Tin 100u"min.
  - Solder tab material: Brass C2680,  
plating Ni 50u" min , plating Tin 100u"min.

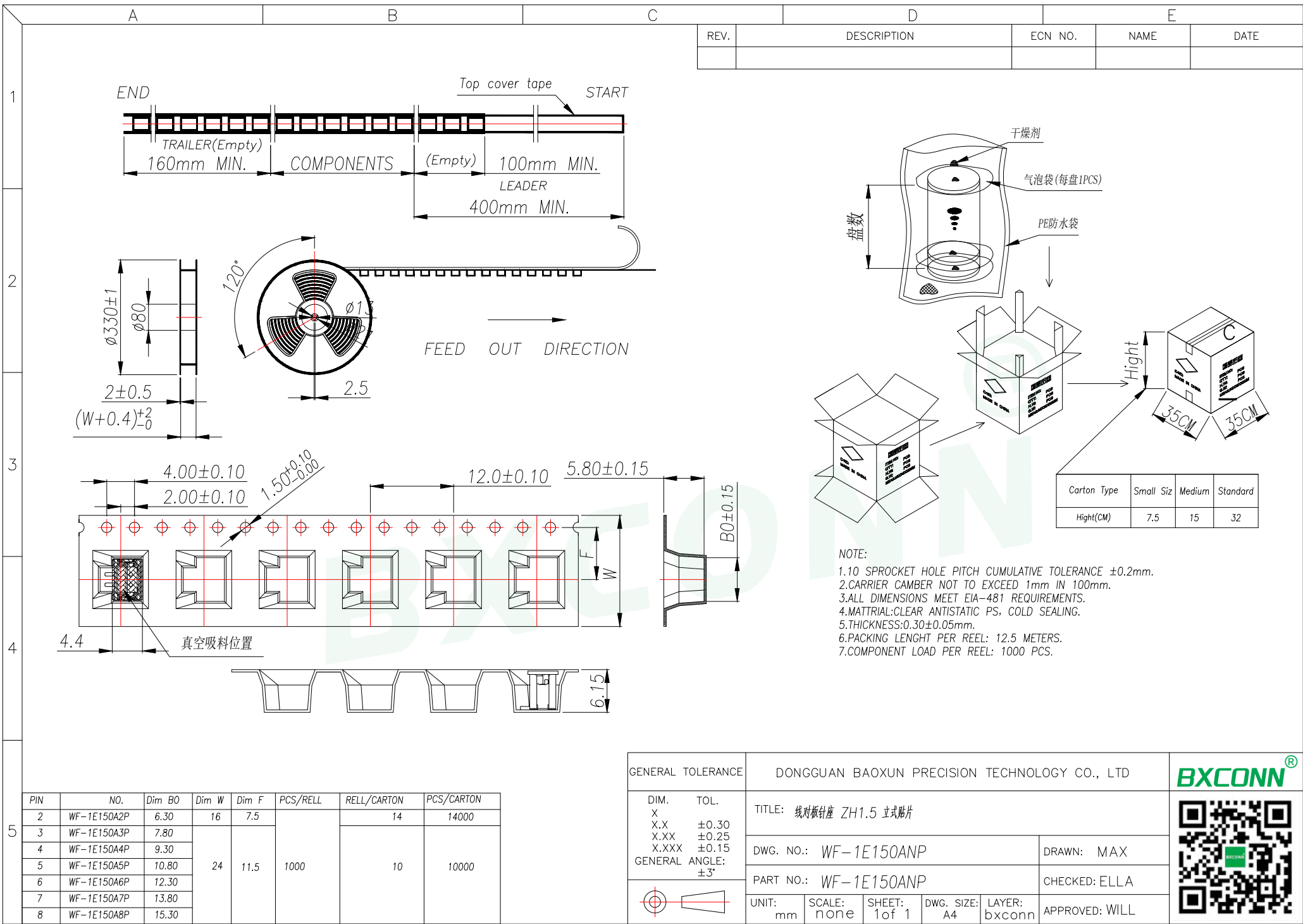


RECOMMENDED PCB LAYOUT TOP VIEW (TOLERANCE: ±0.05)

SMT SOLDER AREA

PIN	NO.	Dim A	Dim B	Dim C
2	WF-1E150A2P	1.50	6.00	3.65
3	WF-1E150A3P	3.00	7.50	5.15
4	WF-1E150A4P	4.50	9.00	6.65
5	WF-1E150A5P	6.00	10.50	8.15
6	WF-1E150A6P	7.50	12.50	9.65
7	WF-1E150A7P	9.00	13.50	11.15
8	WF-1E150A8P	10.50	15.50	12.65
9	WF-1E150A9P	12.50	16.50	14.15
10	WF-1E150A10P	13.50	18.50	15.65
11	WF-1E150A11P	15.50	19.50	17.15
12	WF-1E150A12P	16.50	21.50	18.65
13	WF-1E150A13P	18.50	22.50	20.15
14	WF-1E150A14P	19.50	24.50	21.65
15	WF-1E150A15P	21.50	25.50	23.15
16	WF-1E150A16P	22.50	27.50	24.65
17	WF-1E150A17P	24.50	28.50	26.15
18	WF-1E150A18P	25.50	30.00	27.65
19	WF-1E150A19P	27.50	31.50	29.15
20	WF-1E150A20P	28.50	33.00	30.65

GENERAL TOLERANCE		DONGGUAN BAOXUN PRECISION TECHNOLOGY CO., LTD				 
DIM. TOL.		TITLE: 线对板针座 ZH1.5 立式贴片				
X	±0.30	DWG. NO.: WF-1E150ANP		DRAWN: MAX		
X.X	±0.25	PART NO.: WF-1E150ANP		CHECKED: ELLA		
X.XX	±0.15	UNIT: mm		SCALE: none	SHEET: 1 of 1	
X.XXX	±0.10	DWG. SIZE: A4		LAYER: bxconn	APPROVED: WILL	
GENERAL ANGLE: ±3°						



REV.	DESCRIPTION	ECN NO.	NAME	DATE

Carton Type	Small Siz	Medium	Standard
High(CM)	7.5	15	32

- NOTE:
- 1.10 SPROCKET HOLE PITCH CUMULATIVE TOLERANCE  $\pm 0.2\text{mm}$ .
  - 2.CARRIER CAMBER NOT TO EXCEED 1mm IN 100mm.
  - 3.ALL DIMENSIONS MEET EIA-481 REQUIREMENTS.
  - 4.MATERIAL: CLEAR ANTISTATIC PS, COLD SEALING.
  - 5.THICKNESS:  $0.30 \pm 0.05\text{mm}$ .
  - 6.PACKING LENGTH PER REEL: 12.5 METERS.
  - 7.COMPONENT LOAD PER REEL: 1000 PCS.

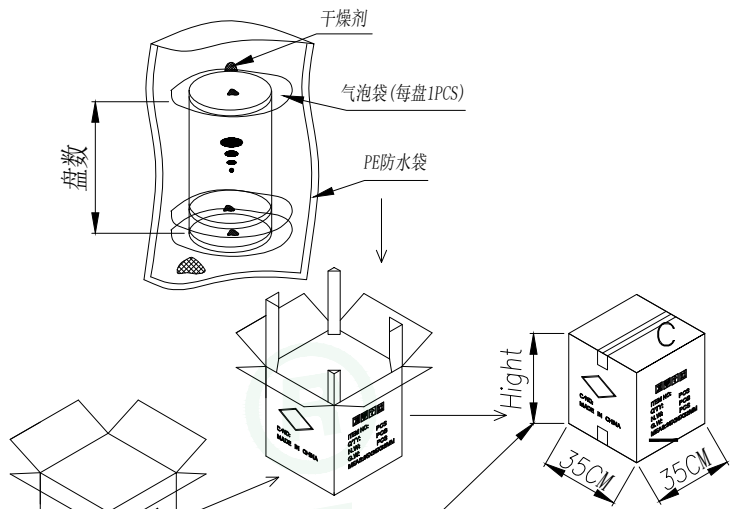
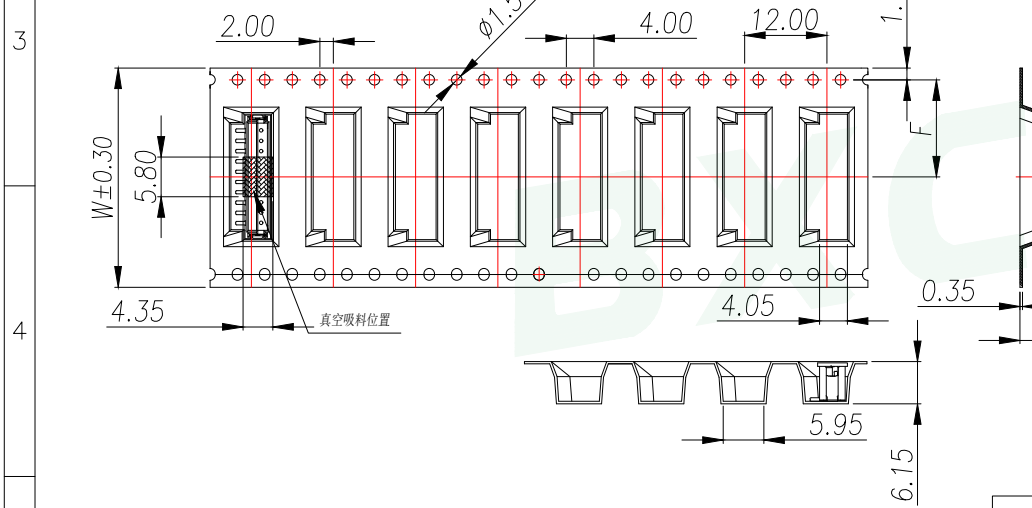
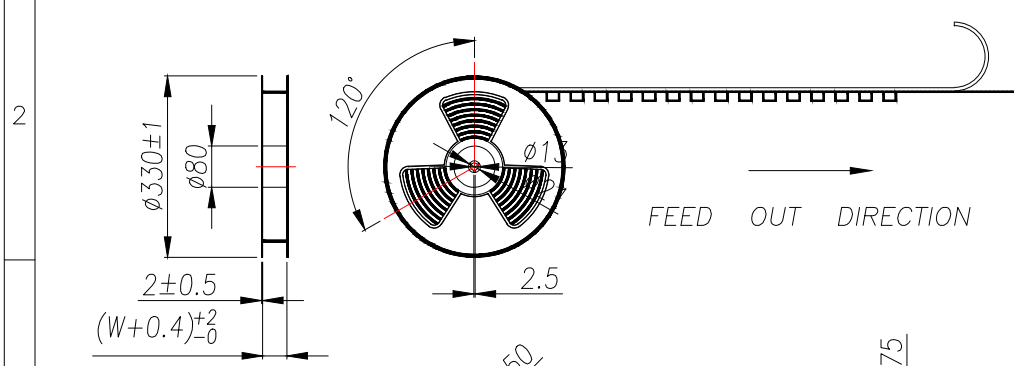
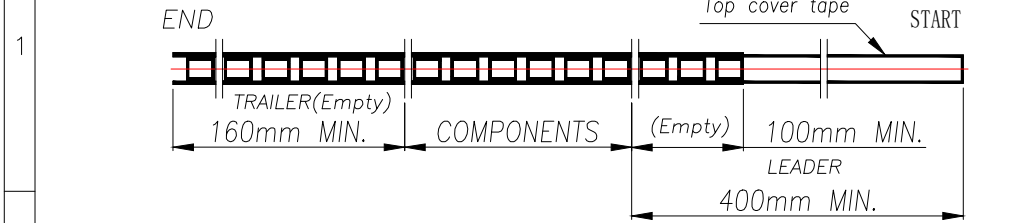
PIN	NO.	Dim B0	Dim W	Dim F	PCS/RELL	RELL/CARTON	PCS/CARTON
2	WF-1E150A2P	6.30	16	7.5	1000	14	14000
3	WF-1E150A3P	7.80	24	11.5		10	10000
4	WF-1E150A4P	9.30					
5	WF-1E150A5P	10.80					
6	WF-1E150A6P	12.30					
7	WF-1E150A7P	13.80					
8	WF-1E150A8P	15.30					

GENERAL TOLERANCE		DONGGUAN BAOXUN PRECISION TECHNOLOGY CO., LTD			
DIM.	TOL.	TITLE: 线对板针座 ZH1.5 立式贴片			
X		DWG. NO.: WF-1E150ANP		DRAWN: MAX	
X.X	$\pm 0.30$	PART NO.: WF-1E150ANP		CHECKED: ELLA	
X.XX	$\pm 0.25$	UNIT: mm		APPROVED: WILL	
X.XXX	$\pm 0.15$	SCALE: none	SHEET: 1 of 1	DWG. SIZE: A4	LAYER: bxconn
GENERAL ANGLE:	$\pm 3^\circ$				

**BXCONN**<sup>®</sup>



REV.	DESCRIPTION	ECN NO.	NAME	DATE



Carton Type	Small Siz	Medium	Standard
Hight(CM)	7.5	15	32

- NOTE:
- 1.10 SPROCKET HOLE PITCH CUMULATIVE TOLERANCE  $\pm 0.2\text{mm}$ .
  - 2.CARRIER CAMBER NOT TO EXCEED 1mm IN 100mm.
  - 3.ALL DIMENSIONS MEET EIA-481 REQUIREMENTS.
  - 4.MATERIAL: CLEAR ANTISTATIC PS, COLD SEALING.
  - 5.THICKNESS:  $0.30 \pm 0.05\text{mm}$ .
  - 6.PACKING LENGTH PER REEL: 12.5 METERS.
  - 7.COMPONENT LOAD PER REEL: 1000 PCS.

PIN	NO.	Dim B0	Dim W	Dim F	PCS/RELL	RELL/CARTON	PCS/CARTON
9	WF-1E150A9P	16.80	32	14.2	1000	8	8000
10	WF-1E150A10P	18.30					
11	WF-1E150A11P	19.80					
12	WF-1E150A12P	21.30					
13	WF-1E150A13P	22.80	44	20.2	1000	6	6000
14	WF-1E150A14P	24.30					
15	WF-1E150A15P	25.80					
16	WF-1E150A16P	27.30					

GENERAL TOLERANCE		DONGGUAN BAOXUN PRECISION TECHNOLOGY CO., LTD				 
DIM. TOL.		TITLE: 线对板针座 ZH1.5 立式贴片				
X $\pm 0.30$		DWG. NO.: WF-1E150ANP		DRAWN: MAX		
X.X $\pm 0.25$		PART NO.: WF-1E150ANP		CHECKED: ELLA		
X.XX $\pm 0.15$		UNIT: mm		APPROVED: WILL		
X.XXX $\pm 0.15$		SCALE: none		SHEET: 1 of 1		
GENERAL ANGLE: $\pm 3^\circ$		DWG. SIZE: A4		LAYER: bxconn		

## X-ON Electronics

Largest Supplier of Electrical and Electronic Components

*Click to view similar products for [Headers & Wire Housings](#) category:*

*Click to view products by [BXCONN](#) manufacturer:*

Other Similar products are found below :

[0015917161](#) [0022155065](#) [57102-F02-18ULF](#) [58102-G61-06LF](#) [582553-1](#) [01.001.5753.1](#) [0050291907](#) [02.125.8002.8](#) [609-3404](#) [61062-3](#)  
[CSU011177004](#) [622-0430](#) [622-3653LF](#) [63453-116](#) [636-1030](#) [636-1427](#) [636-3427](#) [636-4007](#) [641938-9](#) [65495-038](#) [65692-001LF](#) [65781-018](#)  
[65781-047](#) [65817-010LF](#) [65817-015LF](#) [67095-007LF](#) [67601157](#) [68631-112](#) [699319-000](#) [70.362.1628.0](#) [70-4210](#) [70-4226B](#) [70-4853B](#) [707-](#)  
[5028](#) [71.350.2428.0](#) [733-134](#) [733-162](#) [760-3052](#) [MHR-64-VUAL](#) [80.063.4001.1](#) [800-90-001-10-001000](#) [801-43-002-10-013000](#)  
[801-43-006-10-002000](#) [803-43-024-10-001000](#) [803-93-012-10-001000](#) [8-1437020-4](#) [819-22-004-30-001101](#) [820-22-006-30-001101](#)  
[820-22-008-30-001101](#) [821-22-002-10-001101](#)