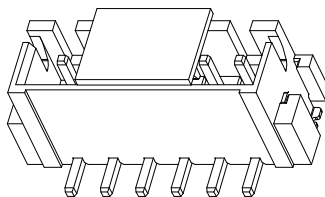
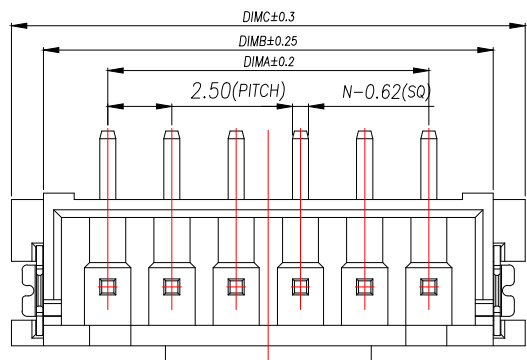


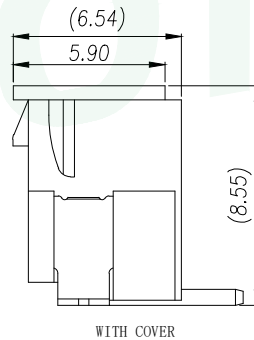
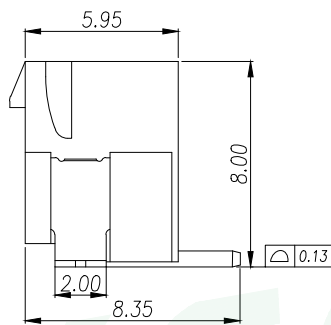
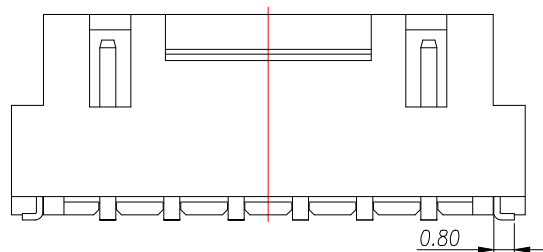
| REV. | DESCRIPTION | ECN NO. | NAME | DATE |
|------|-------------|---------|------|------|
|      |             |         |      |      |

1  
  
2  
  
3  
  
4  
  
5

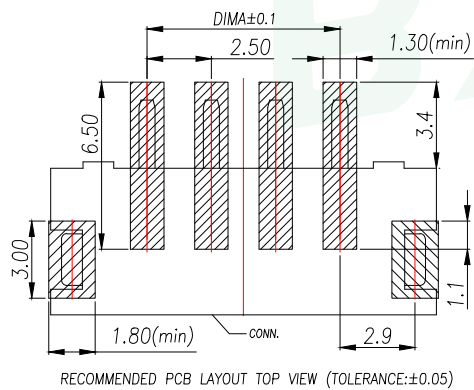


**NOTES:**

1. Working temp: -25°C~85°C.
2. Voltage rating: 250V AV/DC(rms)
3. Contact resistance: 20mΩ max.
4. Insulation resistance: 1000MΩ min.
5. Current rating: 3A AV/DC
6. Withstanding Voltage: 1000V AC/minute
7. Pin Retention Force: 15N min.
8. Housing material: LCP UL94-V0, Natural
9. Terminal materl: Brass,  
plating Ni 50u" min , plating Tin 100u"min.
10. Solder tab material: Brass,  
plating Ni 50u" min , plating Tin 100u"min.



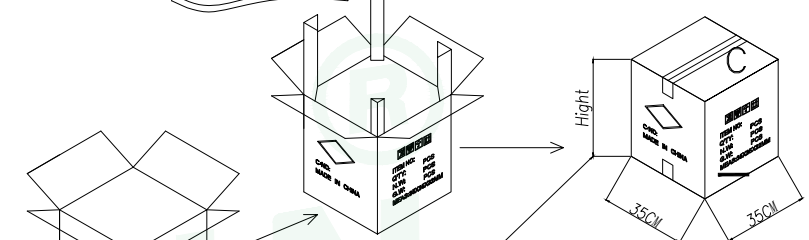
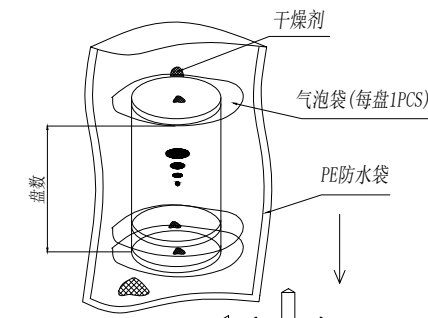
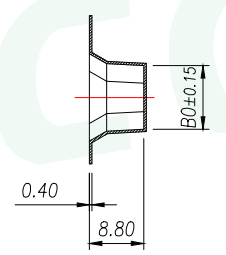
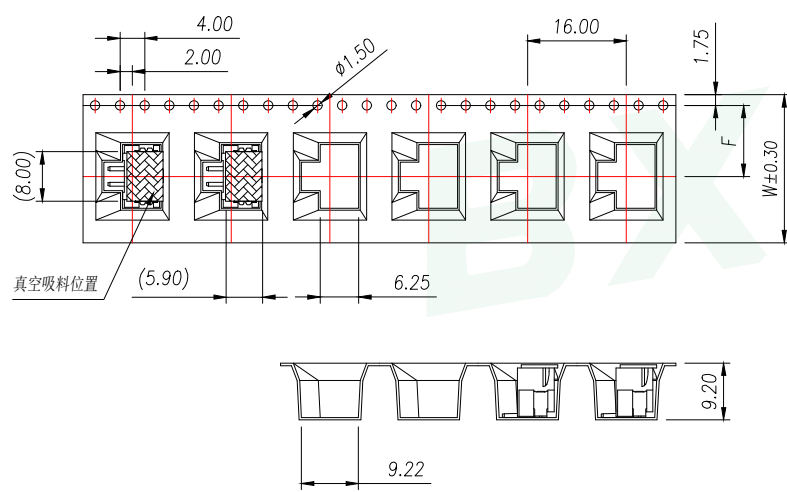
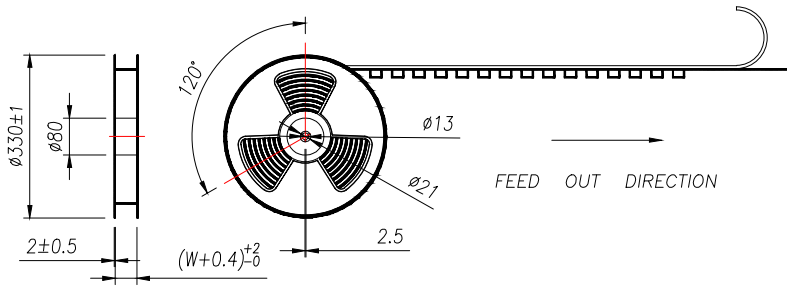
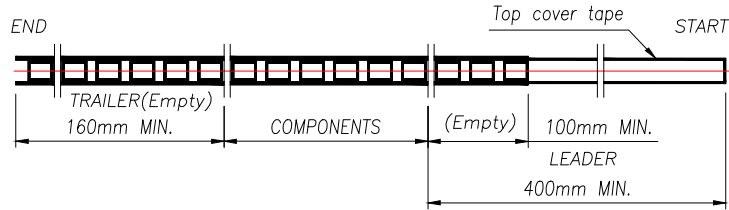
| PIN | NO.          | Dim A | Dim B | Dim C |
|-----|--------------|-------|-------|-------|
| 2   | WF-1E254B2P  | 2.50  | 7.50  | 10.00 |
| 3   | WF-1E254B3P  | 5.00  | 10.00 | 12.50 |
| 4   | WF-1E254B4P  | 7.50  | 12.50 | 15.00 |
| 5   | WF-1E254B5P  | 10.00 | 15.00 | 17.50 |
| 6   | WF-1E254B6P  | 12.50 | 17.50 | 20.00 |
| 7   | WF-1E254B7P  | 15.00 | 20.00 | 22.50 |
| 8   | WF-1E254B8P  | 17.50 | 22.50 | 25.00 |
| 9   | WF-1E254B9P  | 20.00 | 25.00 | 27.50 |
| 10  | WF-1E254B10P | 22.50 | 27.50 | 30.00 |
| 11  | WF-1E254B11P | 25.00 | 30.00 | 32.50 |
| 12  | WF-1E254B12P | 27.50 | 32.50 | 35.00 |
| 13  | WF-1E254B13P | 30.00 | 35.00 | 37.50 |
| 14  | WF-1E254B14P | 32.50 | 37.50 | 40.00 |
| 15  | WF-1E254B15P | 35.00 | 40.00 | 42.50 |
| 16  | WF-1E254B16P | 37.50 | 42.50 | 45.00 |



|                    |       |   |               |                |               |
|--------------------|-------|---|---------------|----------------|---------------|
| GENERAL TOLERANCE  |       | DONGGUAN BAOXUN PRECISION TECHNOLOGY CO., LTD |               |                |               |
| DIM.               | TOL.  | TITLE: 线对板针座 XHB2.54 带扣 立式贴片                  |               |                |               |
| X                  |       | DWG. NO.: WF-1E254BNP                         |               | DRAWN: MAX     |               |
| X.X                | ±0.30 | PART NO.: WF-1E254BNP                         |               | CHECKED: ELLA  |               |
| X.XX               | ±0.25 | UNIT: mm                                      |               | APPROVED: WILL |               |
| X.XXX              | ±0.15 | SCALE: none                                   | SHEET: 1 of 1 | DWG. SIZE: A4  | LAYER: bxconn |
| GENERAL ANGLE: ±3° |       |   |               |                |               |



| REV. | DESCRIPTION | ECN NO. | NAME | DATE |
|------|-------------|---------|------|------|
|      |             |         |      |      |



| Carton Type | Small Siz | Medium | Standard |
|-------------|-----------|--------|----------|
| Height(CM)  | 7.5       | 15     | 32       |

- NOTE:
- 1.10 SPROCKET HOLE PITCH CUMULATIVE TOLERANCE  $\pm 0.2\text{mm}$ .
  - 2.CARRIER CAMBER NOT TO EXCEED 1mm IN 100mm.
  - 3.ALL DIMENSIONS MEET EIA-481 REQUIREMENTS.
  - 4.MATRIAL: CLEAR ANTISTATIC PS, GOLD SEALING.
  - 5.THICKNESS:  $0.40 \pm 0.05\text{mm}$ .
  - 6.PACKING LENGHT PER REEL: 8.4 METERS.
  - 7.COMPONENT LOAD PER REEL: 500 PCS.

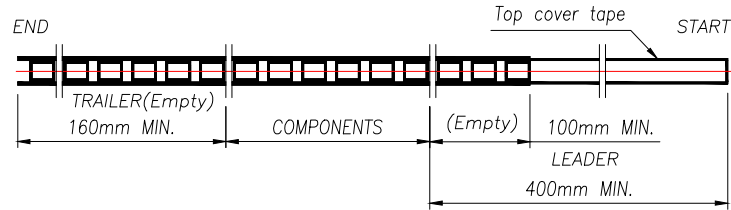
5

| PIN | NO.         | Dim B0 | Dim W | Dim F | PCS/RELL | RELL/CARTON | PCS/CARTON |
|-----|-------------|--------|-------|-------|----------|-------------|------------|
| 2   | WF-1E254B2P | 10.30  | 24.00 | 11.50 | 500      | 10          | 5000       |
| 3   | WF-1E254B3P | 12.80  |       |       |          |             |            |
| 4   | WF-1E254B4P | 15.30  |       |       |          |             |            |

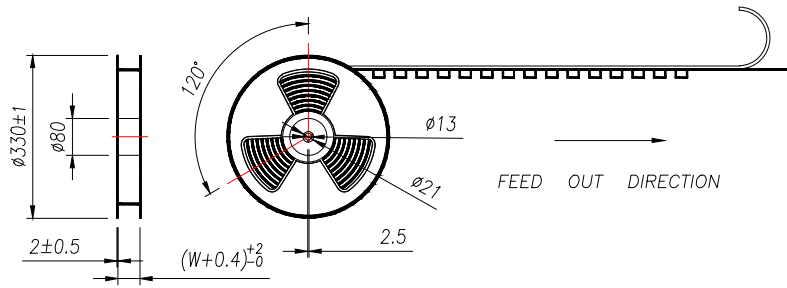
|                              |  |   |  |               |               |                |
|------------------------------|--|---|--|---------------|---------------|----------------|
| GENERAL TOLERANCE            |  | DONGGUAN BAOXUN PRECISION TECHNOLOGY CO., LTD |  |               |               |                |
| DIM. TOL.                    |  | TITLE: 线对板针座 XHB2.54 带扣 立式贴片                  |  |               |               |                |
| X ±0.30                      |  | DWG. NO.: WF-1E254BNP                         |  | DRAWN: MAX    |               |                |
| X.X ±0.25                    |  | PART NO.: WF-1E254BNP                         |  | CHECKED: ELLA |               |                |
| X.XX ±0.15                   |  | UNIT: mm                                      |  | SCALE: none   | SHEET: 1 of 1 | APPROVED: WILL |
| X.XXX ±0.15                  |  | DWG. SIZE: A4                                 |  | LAYER: bxconn |               |                |
| GENERAL ANGLE: $\pm 3^\circ$ |  |   |  |               |               |                |

| REV. | DESCRIPTION | ECN NO. | NAME | DATE |
|------|-------------|---------|------|------|
|      |             |         |      |      |

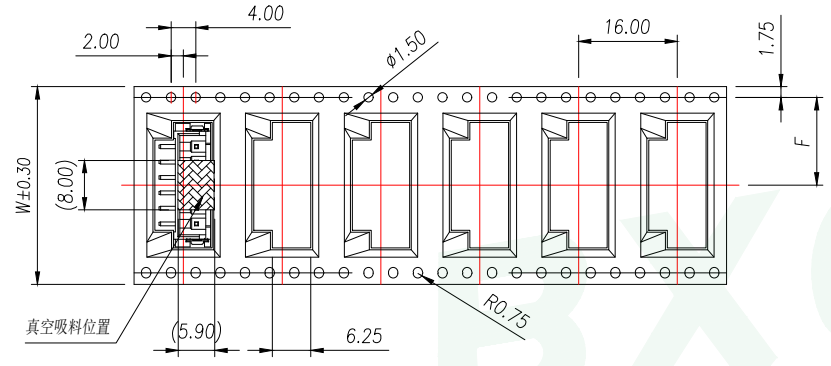
1



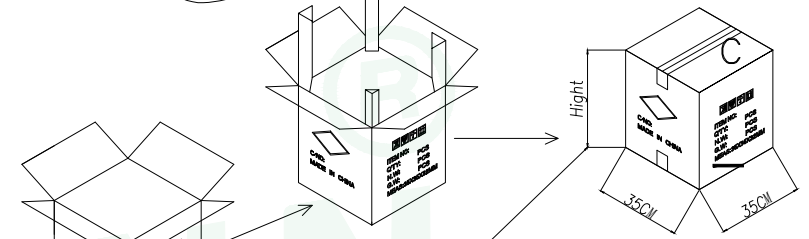
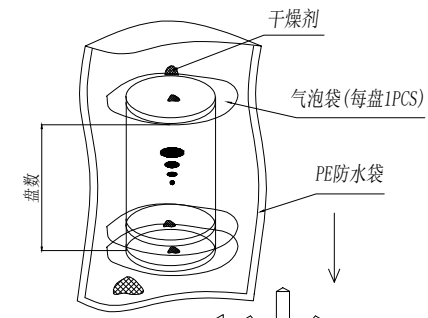
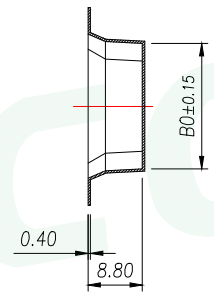
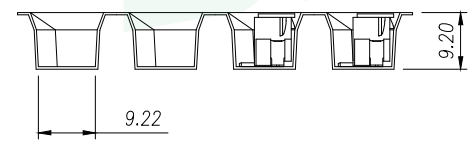
2



3



4



| Carton Type | Small Siz | Medium | Standard |
|-------------|-----------|--------|----------|
| Hight(CM)   | 7.5       | 15     | 32       |

- NOTE:
- 1.10 SPROCKET HOLE PITCH CUMULATIVE TOLERANCE  $\pm 0.2\text{mm}$ .
  - 2.CARRIER CAMBER NOT TO EXCEED 1mm IN 100mm.
  - 3.ALL DIMENSIONS MEET EIA-481 REQUIREMENTS.
  - 4.MATERIAL: CLEAR ANTISTATIC PS, COLD SEALING.
  - 5.THICKNESS:  $0.40 \pm 0.05\text{mm}$ .
  - 6.PACKING LENGTH PER REEL: 8.4 METERS.
  - 7.COMPONENT LOAD PER REEL: 500 PCS.

5

| PIN | NO.          | Dim B0 | Dim W | Dim F | PCS/RELL | RELL/CARTON | PCS/CARTON |
|-----|--------------|--------|-------|-------|----------|-------------|------------|
| 5   | WF-1E254B5P  | 17.80  | 32    | 14.2  | 500      | 8           | 4000       |
| 6   | WF-1E254B6P  | 20.30  |       |       |          |             |            |
| 7   | WF-1E254B7P  | 22.80  |       |       |          |             |            |
| 8   | WF-1E254B8P  | 25.30  | 44    | 20.2  |          | 6           | 3000       |
| 9   | WF-1E254B9P  | 27.80  |       |       |          |             |            |
| 10  | WF-1E254B10P | 30.30  |       |       |          |             |            |
| 11  | WF-1E254B11P | 32.80  | 56    | 26.2  | 5        | 2500        |            |
| 12  | WF-1E254B12P | 35.30  |       |       |          |             |            |

|                              |  |   |  |               |               |                |
|------------------------------|--|---|--|---------------|---------------|----------------|
| GENERAL TOLERANCE            |  | DONGGUAN BAOXUN PRECISION TECHNOLOGY CO., LTD |  |               |               |                |
| DIM. TOL.                    |  | TITLE: 线对板针座 XHB2.54 带扣 立式贴片                  |  |               |               |                |
| X $\pm 0.30$                 |  | DWG. NO.: WF-1E254BNP                         |  | DRAWN: MAX    |               |                |
| X.X $\pm 0.25$               |  | PART NO.: WF-1E254BNP                         |  | CHECKED: ELLA |               |                |
| X.XX $\pm 0.15$              |  | UNIT: mm                                      |  | SCALE: none   | SHEET: 1 of 1 | APPROVED: WILL |
| X.XXX $\pm 0.15$             |  | DWG. SIZE: A4                                 |  | LAYER: bxconn |               |                |
| GENERAL ANGLE: $\pm 3^\circ$ |  |   |  |               |               |                |

## X-ON Electronics

Largest Supplier of Electrical and Electronic Components

*Click to view similar products for [Headers & Wire Housings](#) category:*

*Click to view products by [BXCONN](#) manufacturer:*

Other Similar products are found below :

[0015917161](#) [0022155065](#) [57102-F02-18ULF](#) [58102-G61-06LF](#) [582553-1](#) [01.001.5753.1](#) [0050291907](#) [02.125.8002.8](#) [609-3404](#) [61062-3](#)  
[CSU011177004](#) [622-0430](#) [622-3653LF](#) [63453-116](#) [636-1030](#) [636-1427](#) [636-3427](#) [636-4007](#) [641938-9](#) [65495-038](#) [65692-001LF](#) [65781-018](#)  
[65781-047](#) [65817-010LF](#) [65817-015LF](#) [67095-007LF](#) [67601157](#) [68631-112](#) [699319-000](#) [70.362.1628.0](#) [70-4210](#) [70-4226B](#) [70-4853B](#) [707-](#)  
[5028](#) [71.350.2428.0](#) [733-134](#) [733-162](#) [760-3052](#) [MHR-64-VUAL](#) [80.063.4001.1](#) [800-90-001-10-001000](#) [801-43-002-10-013000](#)  
[801-43-006-10-002000](#) [803-43-024-10-001000](#) [803-93-012-10-001000](#) [8-1437020-4](#) [819-22-004-30-001101](#) [820-22-006-30-001101](#)  
[820-22-008-30-001101](#) [821-22-002-10-001101](#)