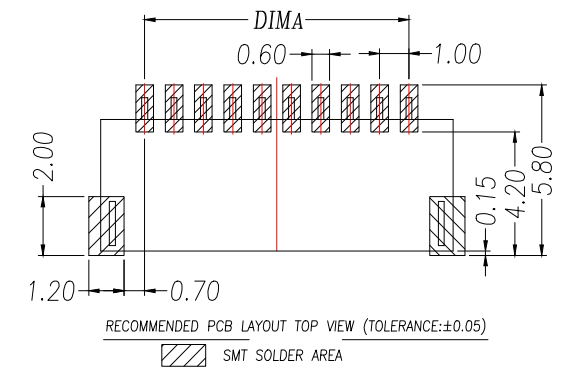
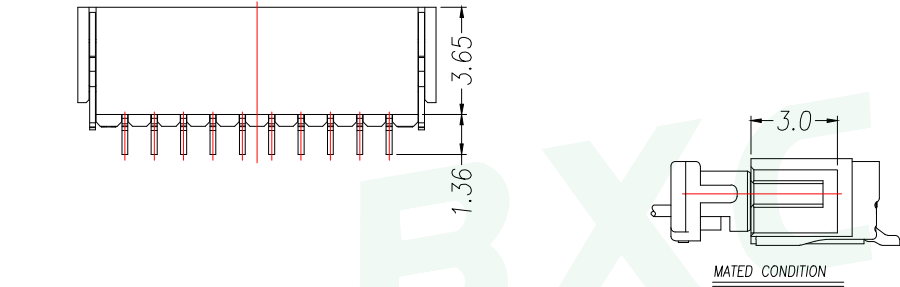
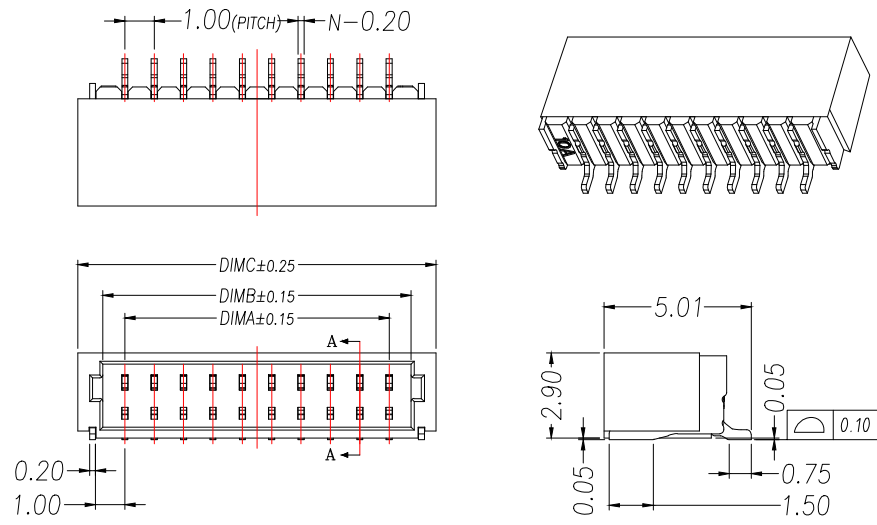


| REV. | DESCRIPTION | ECN NO. | NAME | DATE |
|------|-------------|---------|------|------|
| | | | | |

1
2
3
4
5



- NOTES:
- Working temp: -25°C~85°C.
 - Voltage rating: 50V AC/DC(rms)
 - Contact resistance: 40mΩ max.
 - Insulation resistance: 100MΩ min.
 - Current rating: 1A AV/DC
 - Withstanding Voltage: 500V AC/minute
 - Pin Retention Force: 3N min.
 - Housing material: LCP UL94-V0, Natural
 - Terminal materl: Brass,
plating Ni 40u" min , plating Tin 100u" min.
 - Solder tab material: Brass,
plating Ni 40u" min , plating Tin 100u" min.

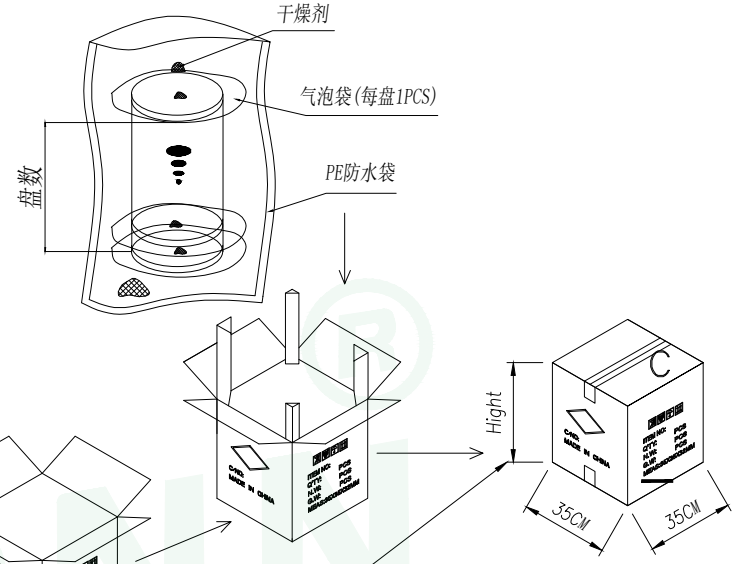
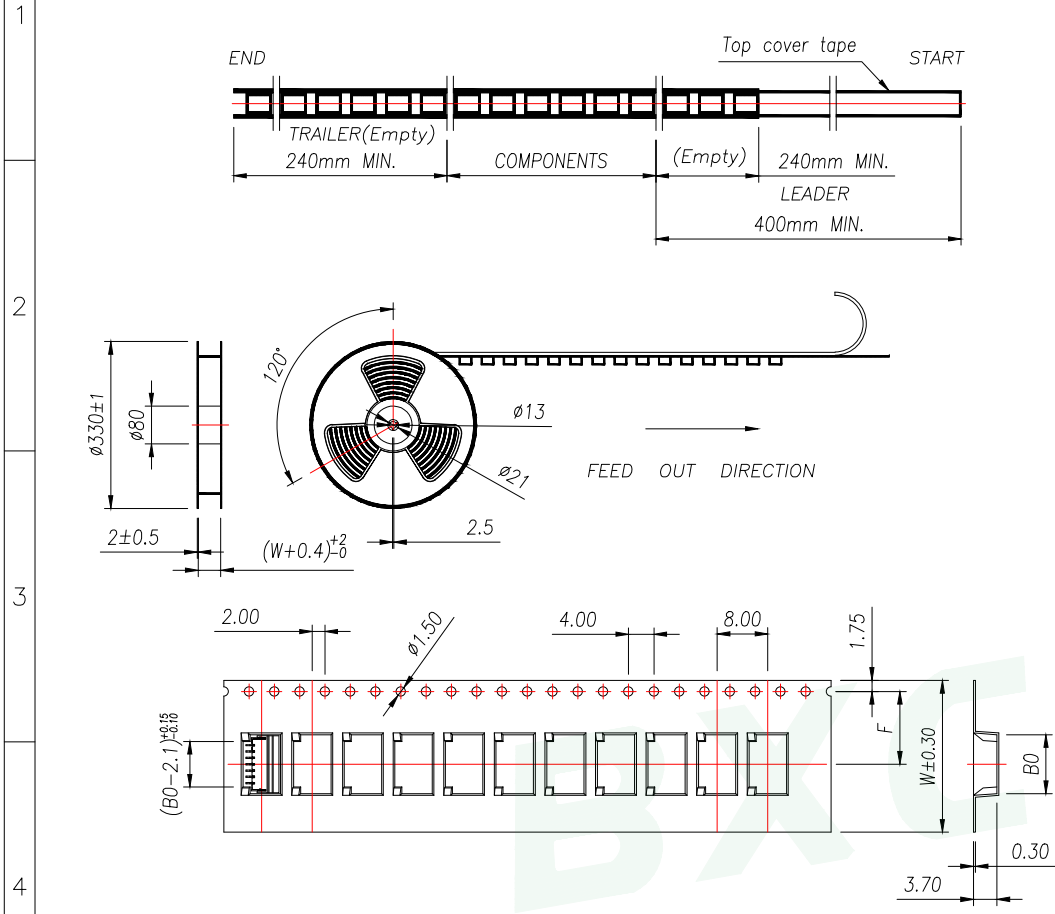
| PIN | NO. | Dim A | Dim B | Dim C |
|-----|--------------|-------|-------|-------|
| 2 | WF-1F11002P | 1.00 | 2.50 | 4.20 |
| 3 | WF-1F11003P | 2.00 | 3.50 | 5.20 |
| 4 | WF-1F11004P | 3.00 | 4.50 | 6.20 |
| 5 | WF-1F11005P | 4.00 | 5.50 | 7.20 |
| 6 | WF-1F11006P | 5.00 | 6.50 | 8.20 |
| 7 | WF-1F11007P | 6.00 | 7.50 | 9.20 |
| 8 | WF-1F11008P | 7.00 | 8.50 | 10.20 |
| 9 | WF-1F11009P | 8.00 | 9.50 | 11.20 |
| 10 | WF-1F110010P | 9.00 | 10.50 | 12.20 |
| 11 | WF-1F110011P | 10.00 | 11.50 | 13.20 |
| 12 | WF-1F110012P | 11.00 | 12.50 | 14.20 |
| 13 | WF-1F110013P | 12.00 | 13.50 | 15.20 |
| 14 | WF-1F110014P | 13.00 | 14.50 | 16.20 |
| 15 | WF-1F110015P | 14.00 | 15.50 | 17.20 |
| 16 | WF-1F110016P | 15.00 | 16.50 | 18.20 |

| | | | | | |
|--------------------|---|-------------|---------------|---------------|---------------|
| GENERAL TOLERANCE | DONGGUAN BAOXUN PRECISION TECHNOLOGY CO., LTD | | | | |
| DIM. TOL. | TITLE: 线对板插座 SH1.0 卧式贴片 | | | | |
| X ±0.30 | DWG. NO.: WF-1F100ANP | | | DRAWN: MAX | |
| X.X ±0.25 | PART NO.: WF-1F100ANP | | | CHECKED: ELLA | |
| X.XX ±0.15 | UNIT: mm | SCALE: none | SHEET: 1 of 1 | DWG. SIZE: A4 | LAYER: bxconn |
| X.XXX ±0.15 | APPROVED: WILL | | | | |
| GENERAL ANGLE: ±3° | | | | | |

BXCONN[®]



| REV. | DESCRIPTION | ECN NO. | NAME | DATE |
|------|-------------|---------|------|------|
| | | | | |



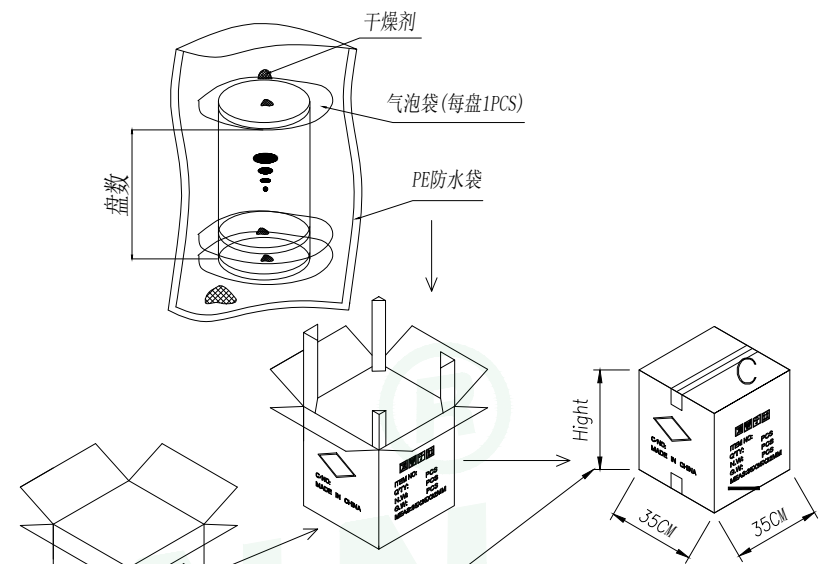
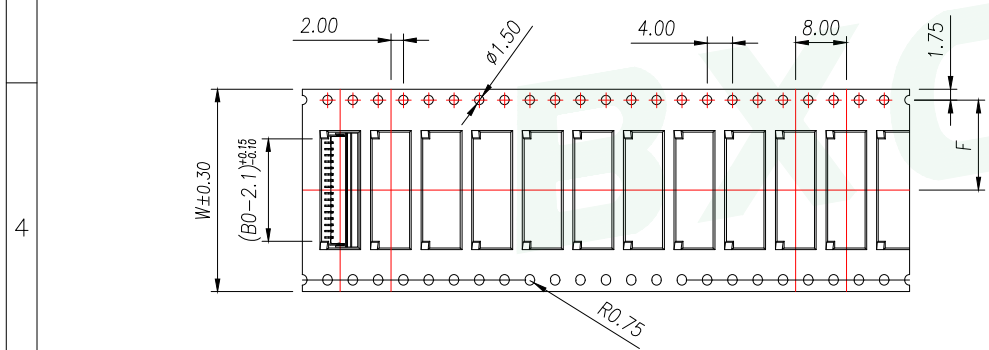
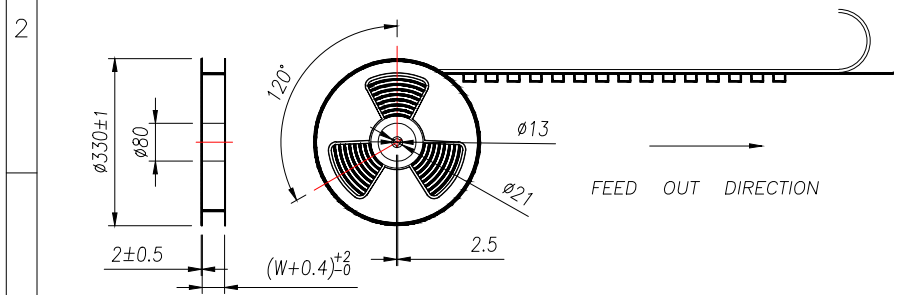
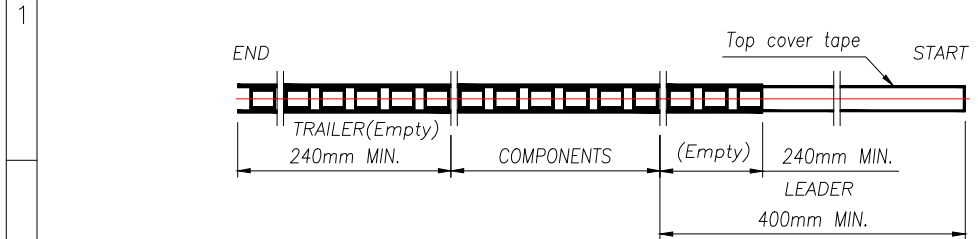
| Carton Type | Small Siz | Medium | Standard |
|-------------|-----------|--------|----------|
| Height(CM) | 7.5 | 15 | 32 |

NOTE:
 1.10 SPROCKET HOLE PITCH CUMULATIVE TOLERANCE ± 0.2 mm.
 2.CARRIER CAMBER NOT TO EXCEED 1mm IN 100mm.
 3.ALL DIMENSIONS MEET EIA-481 REQUIREMENTS.
 4.MATERIAL: CLEAR ANTISTATIC PS; COLD SEALING.
 5.COMPONENT LOAD PER REEL: 2000 PCS.

| PIN | NO. | B0 | Dim W | Dim F | PCS/RELL | RELL/CARTON | PCS/CARTON |
|-----|--------------|-------|-------|-------|----------|-------------|------------|
| 2 | WF-1F11002P | 4.30 | 16 | 7.50 | 2000 | 14 | 28000 |
| 3 | WF-1F11003P | 5.30 | | | | | |
| 4 | WF-1F11004P | 6.30 | | | | | |
| 5 | WF-1F11005P | 7.30 | | | | | |
| 6 | WF-1F11006P | 8.30 | 24 | 11.50 | 2000 | 10 | 20000 |
| 7 | WF-1F11007P | 9.30 | | | | | |
| 8 | WF-1F11008P | 10.30 | | | | | |
| 09 | WF-1F11009P | 11.30 | | | | | |
| 10 | WF-1F110010P | 12.30 | | | | | |
| 11 | WF-1F110011P | 13.30 | | | | | |
| 12 | WF-1F110012P | 14.30 | | | | | |
| 13 | WF-1F110013P | 15.30 | | | | | |

| | | | | | | |
|-------------------|----------------------|---|---------------|----------------|---------------|--|
| GENERAL TOLERANCE | | DONGGUAN BAOXUN PRECISION TECHNOLOGY CO., LTD | | | | |
| DIM. | TOL. | TITLE: 线对板针座 SH1.0 卧式贴片 | | | | |
| X | | DWG. NO.: WF-1F100ANP | | DRAWN: MAX | | |
| X.X | ± 0.30 | PART NO.: WF-1F100ANP | | CHECKED: ELLA | | |
| X.XX | ± 0.25 | UNIT: mm | | APPROVED: WILL | | |
| X.XXX | ± 0.15 | SCALE: none | SHEET: 1 of 1 | DWG. SIZE: A4 | LAYER: bxconn | |
| GENERAL | ANGLE: $\pm 3^\circ$ | | | | | |

| REV. | DESCRIPTION | ECN NO. | NAME | DATE |
|------|-------------|---------|------|------|
| | | | | |



| Carton Type | Small Siz | Medium | Standard |
|-------------|-----------|--------|----------|
| Hight(CM) | 7.5 | 15 | 32 |

- NOTE:
- 1.10 SPROCKET HOLE PITCH CUMULATIVE TOLERANCE $\pm 0.2\text{mm}$.
 - 2.CARRIER CAMBER NOT TO EXCEED 1mm IN 100mm.
 - 3.ALL DIMENSIONS MEET EIA-481 REQUIREMENTS.
 - 4.MATERIAL: CLEAR ANTISTATIC PS, COLD SEALING.
 - 5.COMPONENT LOAD PER REEL: 2000 PCS.

| PIN | NO. | B0 | Dim W | Dim F | PCS/RELL | RELL/CARTON | PCS/CARTON |
|-----|--------------|-------|-------|-------|----------|-------------|------------|
| 14 | WF-1F110014P | 16.30 | 32 | 14.2 | 2000 | 8 | 16000 |
| 15 | WF-1F110015P | 17.30 | | | | | |
| 16 | WF-1F110016P | 18.30 | | | | | |

| | | | | | |
|------------------------------|---|-------------|---------------|---------------|---------------|
| GENERAL TOLERANCE | DONGGUAN BAOXUN PRECISION TECHNOLOGY CO., LTD | | | | |
| DIM. TOL. | TITLE: 线对板针座 SH1.0 卧式贴片 | | | | |
| X | DWG. NO.: WF-1F100ANP | | DRAWN: MAX | | |
| X.X ± 0.30 | PART NO.: WF-1F100ANP | | CHECKED: ELLA | | |
| X.XX ± 0.25 | UNIT: mm | SCALE: none | SHEET: 1 of 1 | DWG. SIZE: A4 | LAYER: bxconn |
| X.XXX ± 0.15 | APPROVED: WILL | | | | |
| GENERAL ANGLE: $\pm 3^\circ$ | | | | | |



X-ON Electronics

Largest Supplier of Electrical and Electronic Components

Click to view similar products for [Headers & Wire Housings](#) category:

Click to view products by [BXCONN](#) manufacturer:

Other Similar products are found below :

[0015917161](#) [0022155065](#) [57102-F02-18ULF](#) [58102-G61-06LF](#) [582553-1](#) [01.001.5753.1](#) [0050291907](#) [02.125.8002.8](#) [609-3404](#) [61062-3](#)
[CSU011177004](#) [622-0430](#) [622-3653LF](#) [63453-116](#) [636-1030](#) [636-1427](#) [636-3427](#) [636-4007](#) [641938-9](#) [65495-038](#) [65692-001LF](#) [65781-018](#)
[65781-047](#) [65817-010LF](#) [65817-015LF](#) [67095-007LF](#) [67601157](#) [68631-112](#) [699319-000](#) [70.362.1628.0](#) [70-4210](#) [70-4226B](#) [70-4853B](#) [707-](#)
[5028](#) [71.350.2428.0](#) [733-134](#) [733-162](#) [760-3052](#) [MHR-64-VUAL](#) [80.063.4001.1](#) [800-90-001-10-001000](#) [801-43-002-10-013000](#)
[801-43-006-10-002000](#) [803-43-024-10-001000](#) [803-93-012-10-001000](#) [8-1437020-4](#) [819-22-004-30-001101](#) [820-22-006-30-001101](#)
[820-22-008-30-001101](#) [821-22-002-10-001101](#)