

| REV. | DESCRIPTION | ECN NO. | NAME | DATE |
|------|-------------|---------|------|------|
| | | | | |

- NOTES:
1. Working temp: $-25^{\circ}\text{C} \sim 85^{\circ}\text{C}$.
 2. Voltage rating: 100V AV/DC(rms)
 3. Contact resistance: 20mΩ max.
 4. Insulation resistance: 1000MΩ min.
 5. Current rating: 2A AV/DC
 6. Withstanding Voltage: 800V AC/minute
 7. Pin Retention Force: 15N min.
 8. Housing material: LCP UL94-V0, Natural
 9. Terminal materl: Brass,
plating Ni 50u" min , plating Tin 100u"min.
 10. Solder tab material: Brass,
plating Ni 50u" min , plating Tin 100u"min.

| PIN | NO. | Dim A | Dim B | Dim C |
|-----|--------------|-------|-------|-------|
| 2 | WF-1F200B2P | 2.00 | 4.90 | 8.00 |
| 3 | WF-1F200B3P | 4.00 | 6.90 | 10.00 |
| 4 | WF-1F200B4P | 6.00 | 8.90 | 12.00 |
| 5 | WF-1F200B5P | 8.00 | 10.90 | 14.00 |
| 6 | WF-1F200B6P | 10.00 | 12.90 | 16.00 |
| 7 | WF-1F200B7P | 12.00 | 14.90 | 18.00 |
| 8 | WF-1F200B8P | 14.00 | 16.90 | 20.00 |
| 9 | WF-1F200B9P | 16.00 | 18.90 | 22.00 |
| 10 | WF-1F200B10P | 18.00 | 20.90 | 24.00 |
| 11 | WF-1F200B11P | 20.00 | 22.90 | 26.00 |
| 12 | WF-1F200B12P | 22.00 | 24.90 | 28.00 |
| 13 | WF-1F200B13P | 24.00 | 26.90 | 30.00 |
| 14 | WF-1F200B14P | 26.00 | 28.90 | 32.00 |
| 15 | WF-1F200B15P | 28.00 | 30.90 | 34.00 |
| 16 | WF-1F200B16P | 30.00 | 32.90 | 36.00 |

GENERAL TOLERANCE: DONGGUAN BAOXUN PRECISION TECHNOLOGY CO., LTD

DIM. TOL.
 X ±0.30
 X.X ±0.25
 X.XX ±0.15
 X.XXX ±0.15
 GENERAL ANGLE: $\pm 3^{\circ}$

TITLE: 线对板针座 HY2.0 带扣 卧式贴片

DWG. NO.: WF-1F200BNP DRAWN: MAX

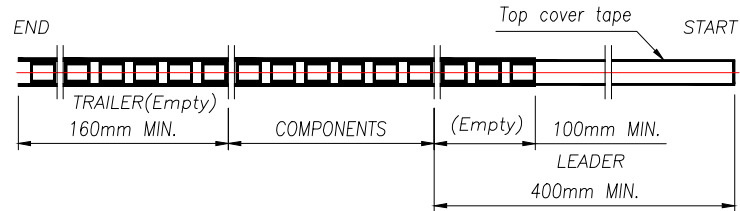
PART NO.: WF-1F200BNP CHECKED: ELLA

UNIT: mm SCALE: none SHEET: 1 of 1 DWG. SIZE: A4 LAYER: bxconn APPROVED: WILL

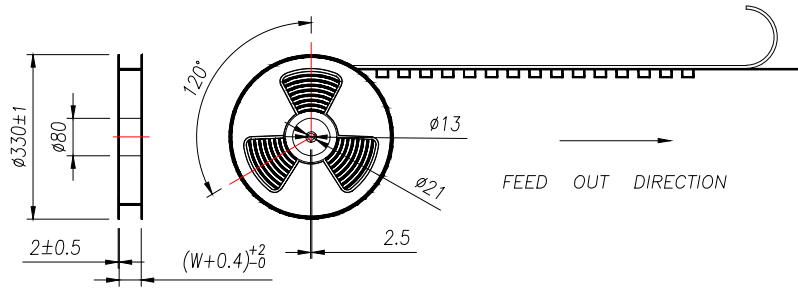


| REV. | DESCRIPTION | ECN NO. | NAME | DATE |
|------|-------------|---------|------|------|
| | | | | |

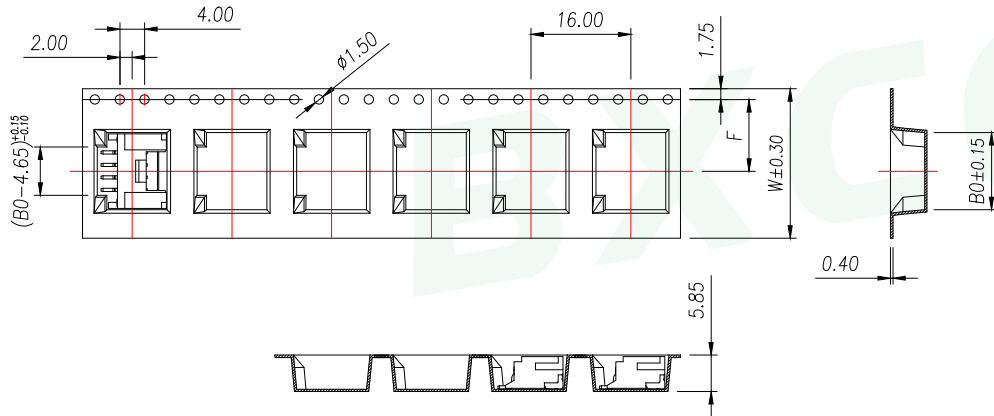
1



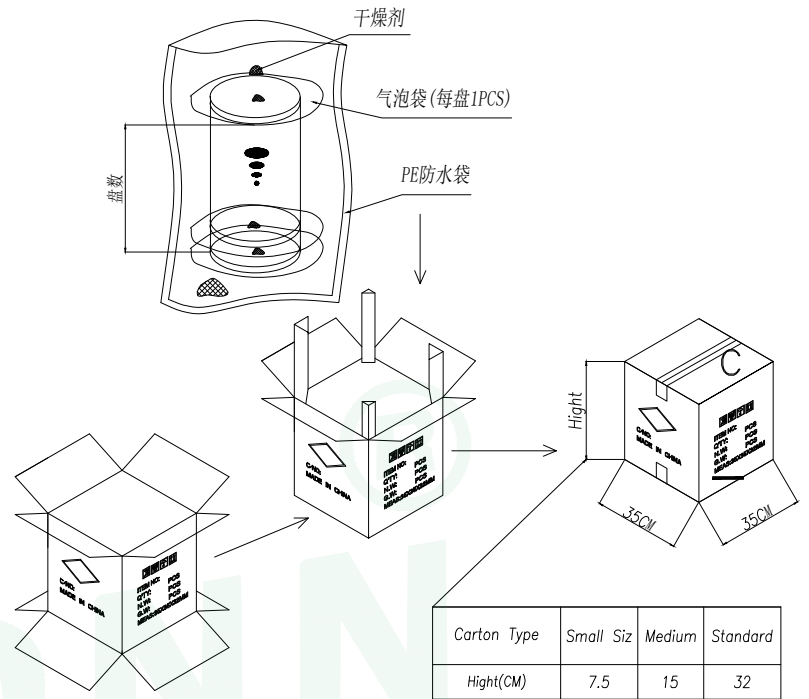
2



3



4



| Carton Type | Small Siz | Medium | Standard |
|-------------|-----------|--------|----------|
| Hight(CM) | 7.5 | 15 | 32 |

- NOTE:
- 1.10 SPROCKET HOLE PITCH CUMULATIVE TOLERANCE $\pm 0.2\text{mm}$.
 - 2.CARRIER CAMBER NOT TO EXCEED 1mm IN 100mm.
 - 3.ALL DIMENSIONS MEET EIA-481 REQUIREMENTS.
 - 4.MATERIAL: CLEAR ANTISTATIC PS, COLD SEALING.
 - 5.THICKNESS: $0.40 \pm 0.05\text{mm}$.
 - 6.PACKING LENGHT PER REEL: 11.52 METERS.
 - 7.COMPONENT LOAD PER REEL: 700 PCS.

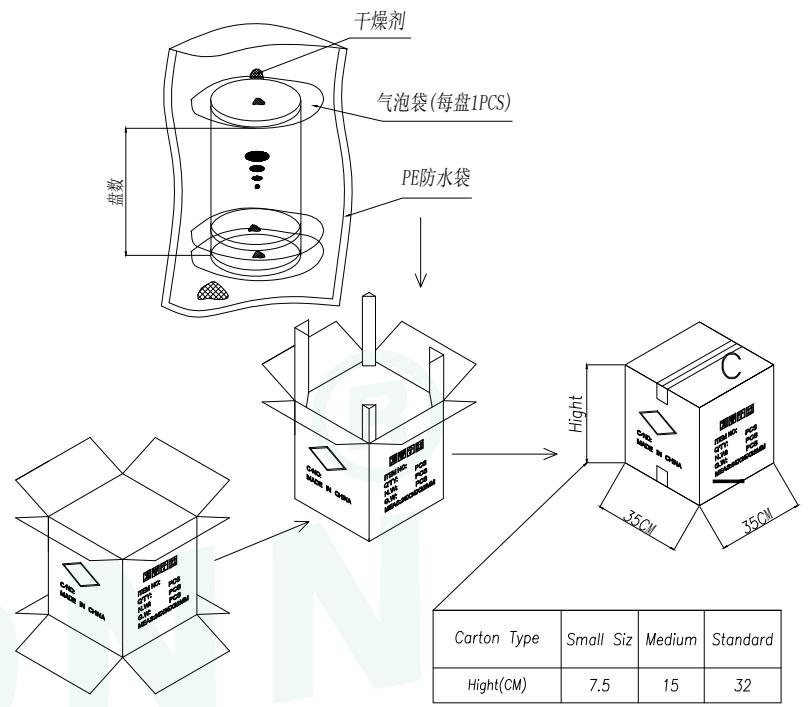
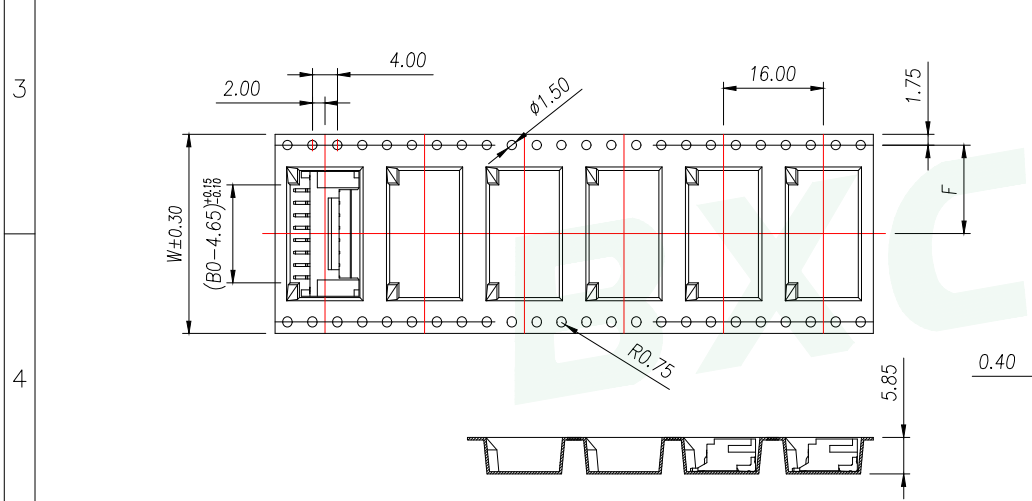
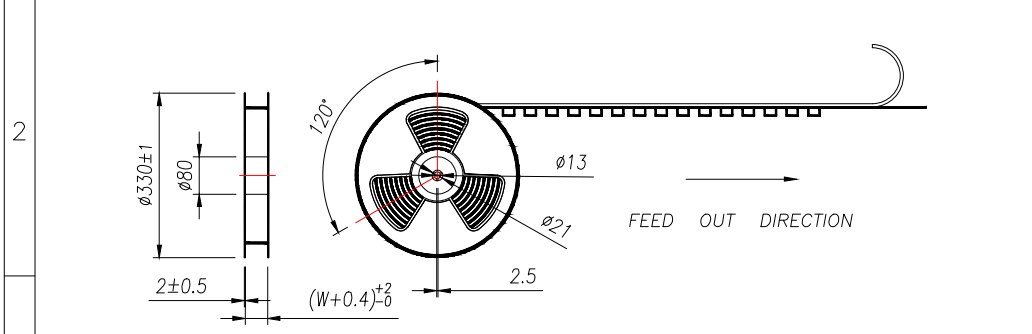
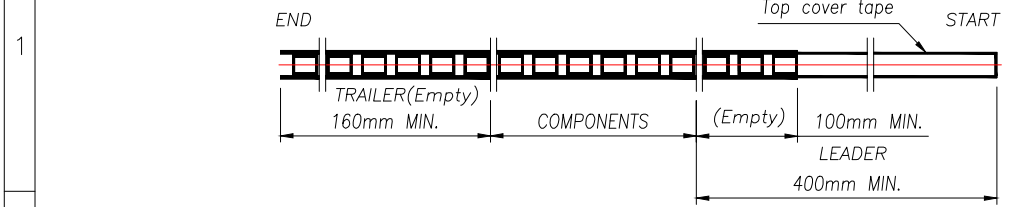
5

| PIN | NO. | Dim B0 | Dim W | Dim F | PCS/RELL | RELL/CARTON | PCS/CARTON |
|-----|-------------|--------|-------|-------|----------|-------------|------------|
| 2 | WF-1F200BNP | 8.40 | 16 | 7.5 | 700 | 14 | 9800 |
| 3 | WF-1F200BNP | 10.40 | 24 | 11.50 | | 10 | 7000 |
| 4 | WF-1F200BNP | 12.40 | | | | | |
| 5 | WF-1F200BNP | 14.40 | | | | | |
| 6 | WF-1F200BNP | 16.40 | | | | | |

| | | | | | |
|-------------------|---------------|---|---------------|---------------|----------------|
| GENERAL TOLERANCE | | DONGGUAN BAOXUN PRECISION TECHNOLOGY CO., LTD | | | |
| DIM. | TOL. | TITLE: 线对板针座 HY2.0 带扣 卧式贴片 | | | |
| X | | DWG. NO.: WF-1F200BNP | | DRAWN: MAX | |
| X.X | ± 0.30 | PART NO.: WF-1F200BNP | | CHECKED: ELLA | |
| X.XX | ± 0.25 | UNIT: mm | | SCALE: none | APPROVED: WILL |
| X.XXX | ± 0.15 | SHEET: 1 of 1 | DWG. SIZE: A4 | LAYER: bxconn | |
| GENERAL ANGLE: | $\pm 3^\circ$ | | | | |



| REV. | DESCRIPTION | ECN NO. | NAME | DATE |
|------|-------------|---------|------|------|
| | | | | |



| Carton Type | Small Siz | Medium | Standard |
|-------------|-----------|--------|----------|
| Hight(CM) | 7.5 | 15 | 32 |

- NOTE:
- 1.10 SPROCKET HOLE PITCH CUMULATIVE TOLERANCE $\pm 0.2\text{mm}$.
 - 2.CARRIER CAMBER NOT TO EXCEED 1mm IN 100mm.
 - 3.ALL DIMENSIONS MEET EIA-481 REQUIREMENTS.
 - 4.MATERIAL: CLEAR ANTISTATIC PS, COLD SEALING.
 - 5.THICKNESS: $0.40 \pm 0.05\text{mm}$.
 - 6.PACKING LENGHT PER REEL: 11.52 METERS.
 - 7.COMPONENT LOAD PER REEL: 700 PCS.

| PIN | NO. | Dim B0 | Dim W | Dim F | PCS/RELL | RELL/CARTON | PCS/CARTON |
|-----|--------------|--------|-------|-------|----------|-------------|------------|
| 7 | WF-1F200B7P | 18.40 | 32 | 14.2 | 700 | 8 | 5600 |
| 8 | WF-1F200B8P | 20.40 | | | | | |
| 9 | WF-1F200B9P | 22.40 | | | | | |
| 10 | WF-1F200B10P | 24.40 | | | | | |
| 11 | WF-1F200B11P | 26.40 | 44 | 20.2 | 700 | 6 | 4200 |
| 12 | WF-1F200B12P | 28.40 | | | | | |
| 13 | WF-1F200B13P | 30.40 | | | | | |
| 14 | WF-1F200B14P | 32.40 | | | | | |
| 15 | WF-1F200B15P | 34.40 | 56 | 26.2 | 700 | 5 | 3500 |
| 16 | WF-1F200B16P | 36.40 | | | | | |

| | | | | | |
|-------------------|---------------|---|---------------|----------------|---------------|
| GENERAL TOLERANCE | | DONGGUAN BAOXUN PRECISION TECHNOLOGY CO., LTD | | | |
| DIM. | TOL. | TITLE: 线对板针座 HY2.0 带扣 卧式贴片 | | | |
| X | | DWG. NO.: WF-1F200BNP | | DRAWN: MAX | |
| X.X | ± 0.30 | PART NO.: WF-1F200BNP | | CHECKED: ELLA | |
| X.XX | ± 0.25 | UNIT: mm | | APPROVED: WILL | |
| X.XXX | ± 0.15 | SCALE: none | SHEET: 1 of 1 | DWG. SIZE: A4 | LAYER: bxconn |
| GENERAL ANGLE: | $\pm 3^\circ$ | | | | |



X-ON Electronics

Largest Supplier of Electrical and Electronic Components

Click to view similar products for [Headers & Wire Housings](#) category:

Click to view products by [BXCONN](#) manufacturer:

Other Similar products are found below :

[0015917161](#) [0022155065](#) [57102-F02-18ULF](#) [58102-G61-06LF](#) [582553-1](#) [01.001.5753.1](#) [0050291907](#) [02.125.8002.8](#) [609-3404](#) [61062-3](#)
[CSU011177004](#) [622-0430](#) [622-3653LF](#) [63453-116](#) [636-1030](#) [636-1427](#) [636-3427](#) [636-4007](#) [641938-9](#) [65495-038](#) [65692-001LF](#) [65781-018](#)
[65781-047](#) [65817-010LF](#) [65817-015LF](#) [67095-007LF](#) [67601157](#) [68631-112](#) [699319-000](#) [70.362.1628.0](#) [70-4210](#) [70-4226B](#) [70-4853B](#) [707-](#)
[5028](#) [71.350.2428.0](#) [733-134](#) [733-162](#) [760-3052](#) [MHR-64-VUAL](#) [80.063.4001.1](#) [800-90-001-10-001000](#) [801-43-002-10-013000](#)
[801-43-006-10-002000](#) [803-43-024-10-001000](#) [803-93-012-10-001000](#) [8-1437020-4](#) [819-22-004-30-001101](#) [820-22-006-30-001101](#)
[820-22-008-30-001101](#) [821-22-002-10-001101](#)