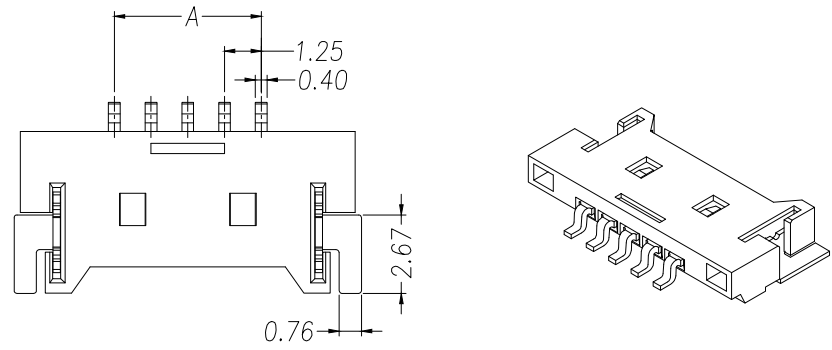


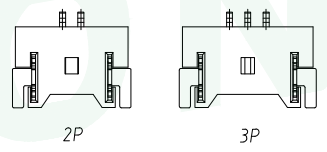
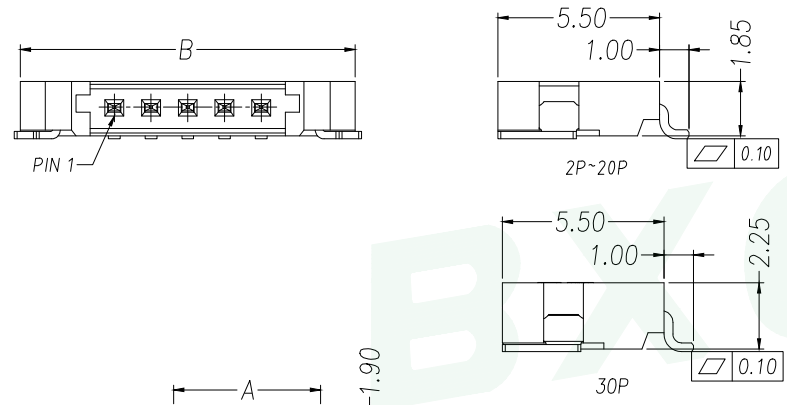
REV.	DESCRIPTION	ECN NO.	NAME	DATE

1



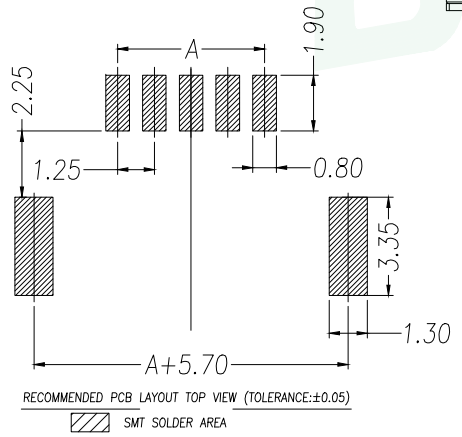
- NOTES:
- 1.Working temp:-25°C~85°C.
 - 2.Voltage rating:50V AC/DC(rms)
 - 3.Contact resistance:40mΩ max.
 - 4.Insulation resistance:100MΩ min.
 - 5.Current rating:1A AV/DC
 - 6.Withstanding Voltage:500V AC/minute
 - 7.Pin Retention Force:0.5N min.
 - 8.Housing material:PA9T UL94-V0,Natural
 - 9.Terminal materl:Brass,
plating Ni 40u" min , plating Au 0.8u"min.
 - 10.Solder tab material:Brass,
plating Ni 40u" min , plating Au 0.8u"min.

2



PIN	NO.	Dim A	Dim B
2	WF-1G125A2P	1.25	7.65
3	WF-1G125A3P	2.50	8.90
4	WF-1G125A4P	3.75	10.15
5	WF-1G125A5P	5.00	11.30
6	WF-1G125A6P	6.25	12.65
7	WF-1G125A7P	7.50	13.90
8	WF-1G125A8P	8.75	15.15
9	WF-1G125A9P	10.00	16.40
10	WF-1G125A10P	11.25	17.65
11	WF-1G125A11P	12.50	18.90
12	WF-1G125A12P	13.75	20.15
13	WF-1G125A13P	15.00	21.40
14	WF-1G125A14P	16.25	22.65
15	WF-1G125A15P	17.50	23.90
20	WF-1G125A20P	23.75	30.15
30	WF-1G125A30P	36.25	42.65

3



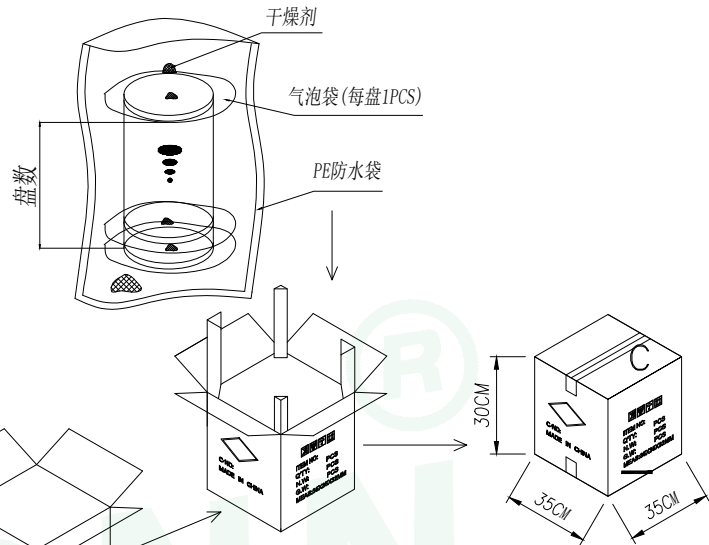
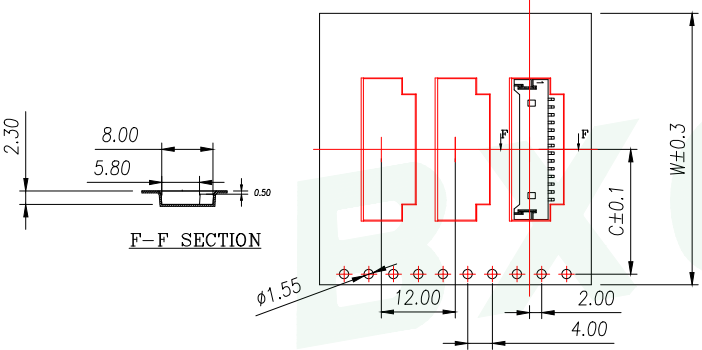
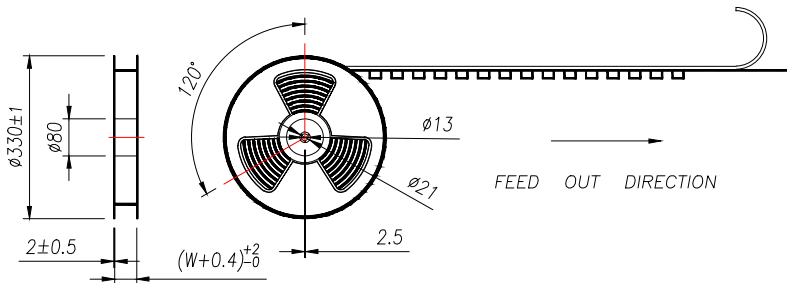
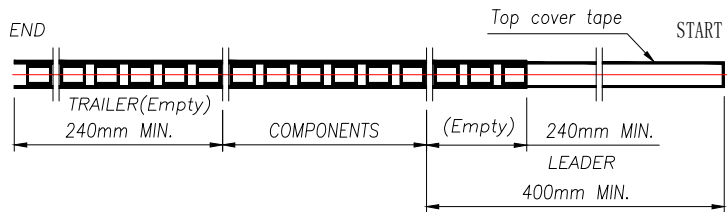
4

GENERAL TOLERANCE		DONGGUAN BAOXUN PRECISION TECHNOLOGY CO., LTD				
DIM.	TOL.	TITLE: 线对板针座 MX1.25 超薄				
X		DWG. NO.: WF-1G125ANP		DRAWN: MAX		
X.X	±0.30	PART NO.: WF-1G125ANP		CHECKED: ELLA		
X.XX	±0.25	UNIT: mm		SCALE: none	APPROVED: WILL	
X.XXX	±0.15	SHEET: 1 of 1	DWG. SIZE: A4	LAYER: bxconn		
GENERAL	ANGLE: ±3°					

5

A	B	C	D	E
---	---	---	---	---

REV.	DESCRIPTION	ECN NO.	NAME	DATE



- NOTE:
- 1.10 SPROCKET HOLE PITCH CUMULATIVE TOLERANCE $\pm 0.2\text{mm}$.
 2. CARRIER CAMBER NOT TO EXCEED 1mm IN 100mm.
 3. ALL DIMENSIONS MEET EIA-481 REQUIREMENTS.
 4. MATERIAL: CLEAR ANTISTATIC PS, COLD SEALING.
 5. COMPONENT LOAD PER REEL: 2000 PCS.

PIN	NO.	Dim C	Dim W	PCS/RELL	RELL/CARTON	PCS/CARTON
2	WF-1G125A2P	7.50	16.00	2000	12	24000
3	WF-1G125A3P					
4	WF-1G125A4P					
5	WF-1G125A5P	11.50	24.00	2000	10	20000
6	WF-1G125A6P					
7	WF-1G125A7P					
8	WF-1G125A8P					
9	WF-1G125A9P					

GENERAL TOLERANCE		DONGGUAN BAOXUN PRECISION TECHNOLOGY CO., LTD			
DIM.	TOL.	TITLE: 线对板针座 MX1.25 超薄			
X		DWG. NO.: WF-1G125ANP		DRAWN: MAX	
X.X	± 0.30	PART NO.: WF-1G125ANP		CHECKED: ELLA	
X.XX	± 0.25	UNIT: mm		APPROVED: WILL	
X.XXX	± 0.15	SCALE: none	SHEET: 1 of 1	DWG. SIZE: A4	LAYER: bxconn
GENERAL ANGLE:	$\pm 3^\circ$				

BXCONN[®]



X-ON Electronics

Largest Supplier of Electrical and Electronic Components

Click to view similar products for [Headers & Wire Housings](#) category:

Click to view products by [BXCONN](#) manufacturer:

Other Similar products are found below :

[0015917161](#) [0022155065](#) [57102-F02-18ULF](#) [58102-G61-06LF](#) [582553-1](#) [01.001.5753.1](#) [0050291907](#) [02.125.8002.8](#) [609-3404](#) [61062-3](#)
[CSU011177004](#) [622-0430](#) [622-3653LF](#) [63453-116](#) [636-1030](#) [636-1427](#) [636-3427](#) [636-4007](#) [641938-9](#) [65495-038](#) [65692-001LF](#) [65781-018](#)
[65781-047](#) [65817-010LF](#) [65817-015LF](#) [67095-007LF](#) [67601157](#) [68631-112](#) [699319-000](#) [70.362.1628.0](#) [70-4210](#) [70-4226B](#) [70-4853B](#) [707-](#)
[5028](#) [71.350.2428.0](#) [733-134](#) [733-162](#) [760-3052](#) [MHR-64-VUAL](#) [80.063.4001.1](#) [800-90-001-10-001000](#) [801-43-002-10-013000](#)
[801-43-006-10-002000](#) [803-43-024-10-001000](#) [803-93-012-10-001000](#) [8-1437020-4](#) [819-22-004-30-001101](#) [820-22-006-30-001101](#)
[820-22-008-30-001101](#) [821-22-002-10-001101](#)