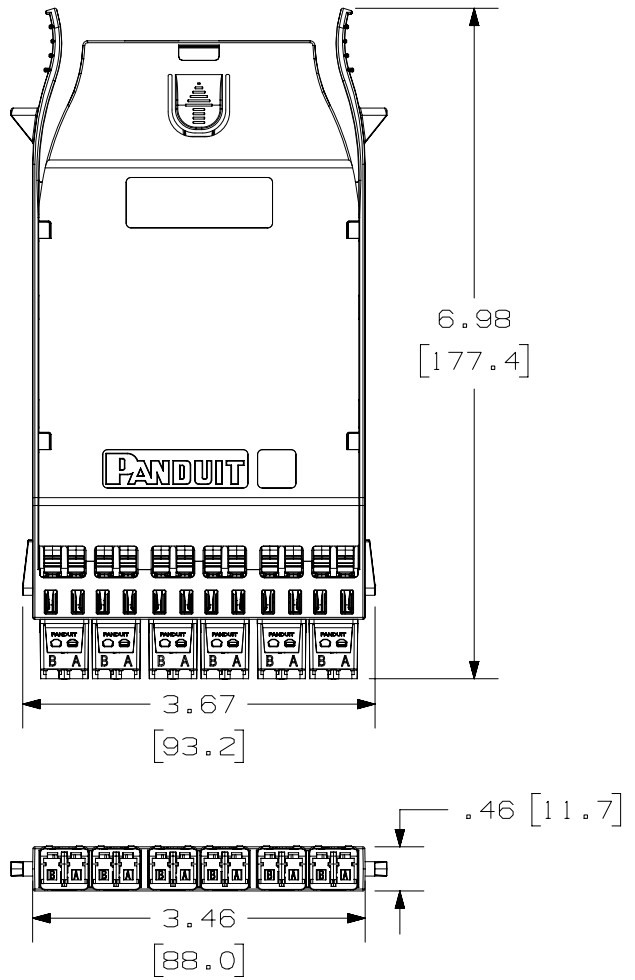
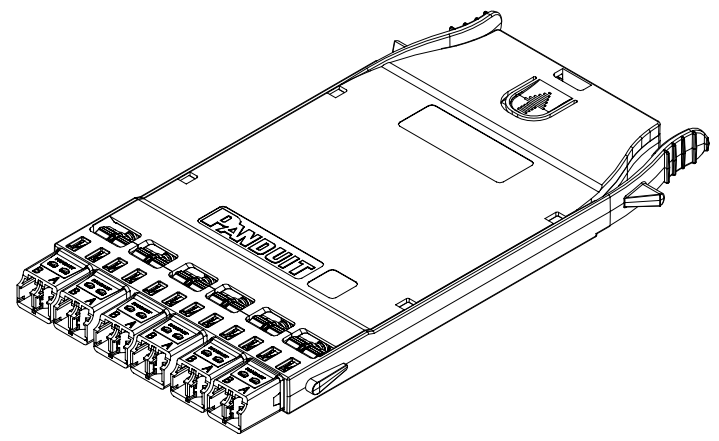


THIS COPY IS PROVIDED ON A RESTRICTED BASIS AND IS NOT TO BE USED IN ANY WAY DETRIMENTAL TO THE INTERESTS OF PANDUIT CORP.



- NOTES:
1. PART NUMBERS: SEE SHEET 2 FOR ALL PART NUMBERS.
 2. CASSETTE WIRING COMPLIES WITH ANSI/TIA-568-C.0 SEE ANSI/TIA-568-C.0 FOR POLARITY DETAILS AND AN EXAMPLE OF A BASIC LINK.
 3. CASSETTE WEIGHT: 3oz (85g)
 4. MAX CABLE DIAMETER IS .291 [7.4].


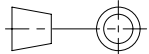


REV	DATE	BY	CHK	APR	DESCRIPTION	ECN
02	9/13/17	JSP	WJM	EJH	A. ADDED MAX DIAMETER NOTE #4.	12F187PE-DC
01	12-03-15	SAT	YMG	RAR/ EJH	RELEASED TO PRODUCTION	12F187PE-DC

TITLE HD FLEX 12 FIBER LC SPLICE CASSETTE CUSTOMER DRAWING					
ITEM REVISION NAME 12F187PE/00				PANDUIT	
DATASET FILE NAME 12F187PE_DC/00C					
UNLESS OTHERWISE SPECIFIED, DIMENSIONAL TOLERANCES ARE: IN [mm]					
.x ± .1 [2.54]		.xxx ± .005 [.127]		MATERIAL:	
.xx ± .01 [.25]		ANGLES ± 5°		DRAWING NUMBER: 12F187PE-DC	
DRAWN BY SAT			DATE 01-16-15		CHK PJI
SCALE NONE			THIRD ANGLE PROJECTION		
SHT 1 OF 2				SIZE A	

THIS COPY IS PROVIDED ON A RESTRICTED BASIS AND IS NOT TO BE USED IN ANY WAY DETRIMENTAL TO THE INTERESTS OF PANDUIT CORP.

PRODUCT FAMILY	CASSETTE PART NUMBER	CASSETTE DESCRIPTION
12 FIBER LC FAP CASSETTE - NOT LOADED (LC PIGTAILS NOT INCLUDED)	FHSXN-12-10N	FAP (FIBER ADAPTER PANEL) CASSETTE W/ AQUA ZIRCONIA ADAPTERS
	FHS9N-12-10N	FAP (FIBER ADAPTER PANEL) CASSETTE W/ BLUE ZIRCONIA ADAPTERS
	FHS9N-12-LAN	FAP (FIBER ADAPTER PANEL) CASSETTE W/ GREEN ZIRCONIA ADAPTERS
12 FIBER LC SPLICE CASSETTE - PRELOADED WITH DISCRETE PIGTAILS	FHSX0-12-10P	12F OM3 LC DISCRETE PIGTAILS; OPTIMIZED IL
	FHSZ0-12-10P	12F OM4 LC DISCRETE PIGTAILS; OPTIMIZED IL
	FHSZA-12-10P	12F OM4 LC DISCRETE PIGTAILS; ULTRA IL
	FHS9N-12-10P	12F OS2 LC DISCRETE PIGTAILS; STANDARD IL
	FHS9N-12-LAP	12F OS2 LC/APC DISCRETE PIGTAILS; STANDARD IL
12 FIBER LC SPLICE CASSETTE - PRELOADED WITH RIBBON PIGTAIL	FHSX0-12-10R	12F OM3 LC RIBBONIZED PIGTAIL; OPTIMIZED IL
	FHSZ0-12-10R	12F OM4 LC RIBBONIZED PIGTAILS; OPTIMIZED IL
	FHSZA-12-10R	12F OM4 LC RIBBONIZED PIGTAIL; ULTRA IL
	FHS9N-12-10R	12F OS2 LC RIBBONIZED PIGTAIL; STANDARD IL

REV	DATE	BY	CHK	APR	DESCRIPTION	ECN	TITLE	ITEM REVISION NAME	DATASET FILE NAME	MATERIAL:	DRAWING NUMBER:	SIZE
02	9/13/17	JSP	WJM	EJH	SEE SHEET 1 FOR REVISIONS.	12F187PE-DC	HD FLEX 12 FIBER LC SPLICE CASSETTE CUSTOMER DRAWING	12F187PE/00	12F187PE_DC/00C		12F187PE-DC	A
							UNLESS OTHERWISE SPECIFIED, DIMENSIONAL TOLERANCES ARE: IN (mm) .x ± .1 (2.54) .xxx ± .005 (.127) .xx ± .01 (.25) ANGLES ± 5°					
							 THIRD ANGLE PROJECTION					
							DRAWN BY: SAT DATE: 01-16-15 CHK: PJI SCALE: NONE			SHT 2 OF 2		

D101000DA/14

X-ON Electronics

Largest Supplier of Electrical and Electronic Components

Click to view similar products for [Fiber Optic Connectors](#) category:

Click to view products by [Panduit](#) manufacturer:

Other Similar products are found below :

[0004700001](#) [6100-R](#) [6313](#) [F709034706](#) [F709722200](#) [F709730000](#) [F718183204](#) [F727403500](#) [F727752800](#) [FCXO-12-3BY](#) [FO-SCREW\(M2X6\)](#) [9440F20-27S-190](#) [944-120-6001](#) [944-125-6003](#) [9441F10SL-3P](#) [953-101-5310-P](#) [954-101-57202B](#) [A0270169](#) [12-9122](#) [12-5702](#) [143025NC](#) [DSAKB](#) [AX101713](#) [AX102420](#) [AX103923](#) [AX104193](#) [AX104230](#) [AX104562](#) [AX104683](#) [AX105203-B25](#) [AX105205-S1](#) [EHSC2M](#) [17-300800](#) [180-044NF06-11-2S](#) [180-044NF06-17-8P](#) [180-044NF07-11-2S](#) [181-011-126](#) [181-011-S](#) [181-057-126](#) [BT34IW](#) [HRFCP-HSCJ-1\(61\)](#) [HRFC-R2\(40\)](#) [NKSOPBUY](#) [20500002116](#) [2064996-1](#) [20800001065](#) [2170](#) [9132](#) [2612](#) [2620](#)