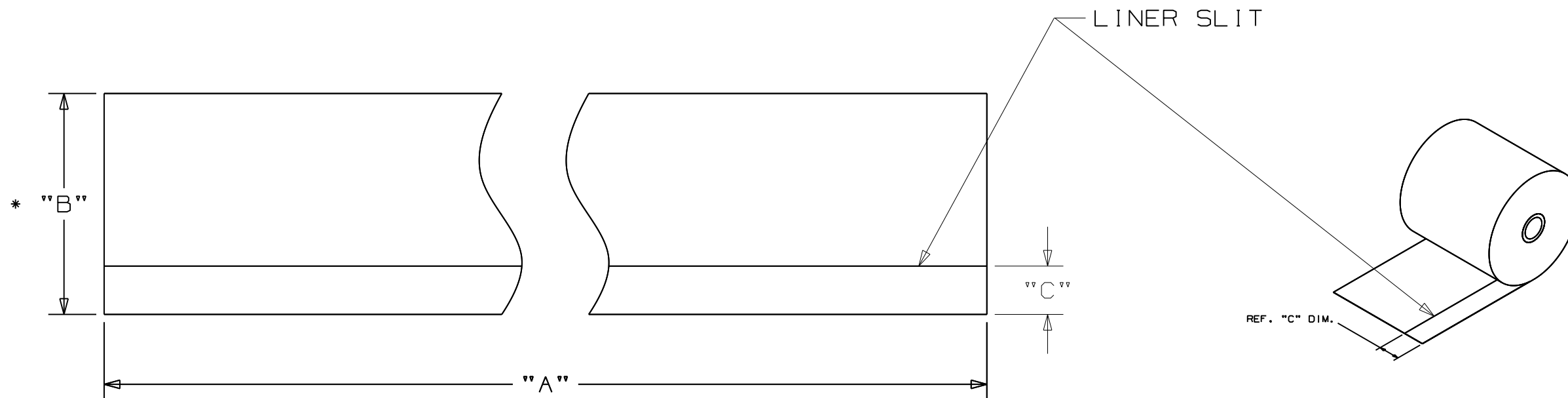


THIS COPY IS PROVIDED ON A RESTRICTED BASIS AND IS NOT TO BE USED IN ANY WAY DETRIMENTAL TO THE INTERESTS OF PANDUIT CORP.

PART NO.	"A" (IN.) MIN.	"B" (IN.)	"C" +/- .031 (IN.)	MATERIAL	COLOR
T100X000YP1	1200	1.00	0.125	GMY3THERM750	WHITE
T200X000YP1	1200	2.00	0.125	GMY3THERM750	WHITE
T400X000YP1	1200	4.00	0.125	GMY3THERM750	WHITE

NOTES:
1. RESIN RIBBON RECOMMENDED.



							CAD FILENAME/LAYERS 121043AA_DS_C10990/01EA		
							PANDUIT CORP. TINLEY PARK, ILLINOIS		
							SUPER-TACK POLYESTER TAPES		
							UNLESS OTHERWISE SPECIFIED, DIMENSIONAL TOLERANCES ARE: (.X) ±.062 (XXX) ±.015 (.XX) ±.031 ANGLES ± 1°		
							UNLESS OTHERWISE SPECIFIED, ALL DIMENSIONS ARE GIVEN IN INCHES, THIRD ANGLE PROJECTION		
							DRAWN BY EOY	SCALE NTS	
							DATE 05-04-12	MAT'L: SEE TABLE	
							CHK'D	DRAWING NO. C10990	
REV	DATE	BY	CHK	DESCRIPTION	ECN	R	CUST	SUP	DWG SIZE B
A	05/04/12	EOY		DRAWING RELEASE					

X-ON Electronics

Largest Supplier of Electrical and Electronic Components

Click to view similar products for [Wire Identification](#) category:

Click to view products by [Panduit](#) manufacturer:

Other Similar products are found below :

[CU6337-000](#) [CU6342-000](#) [FCA-410-12](#) [11631010](#) [1-1768037-1](#) [1-1768037-2](#) [1-1768050-0](#) [PXLK-VI](#) [Q62184-1](#) [A64304-000](#) [QMT221](#)
[HK032WE1NF038B](#) [1330-0519-10](#) [1395199-1](#) [1395200-1](#) [1395202-1](#) [DMVF050WE-300S6](#) [D-SCE-1K-2.4-50-4-CS7834](#) [1538738-1](#)
[E90935-000](#) [EC1238-000](#) [EC1465-000](#) [EC1855-000](#) [EC1859-000](#) [EC1863-000](#) [EC5415-000](#) [EC7277-000](#) [EC7352-000](#) [EC7603-000](#)
[EC7707-000](#) [EC7735-000](#) [EC7768-000](#) [EC7828-000](#) [EC7854-000](#) [EC7952-000](#) [EC8128-000](#) [1768037-8](#) [1768041-7](#) [NC-127191-10-9](#)
[HS048WE2NF038B](#) [C03232-000](#) [HTCM-SCE-14-4H-9](#) [HTMS-3/16-9](#) [HT-SCE-1/4-2.0-4](#) [HT-SCE-3/16-2.0-4](#) [HTTMS-1/2-1.50-9](#) [HTTMS-](#)
[CM-1/2-4H-9](#) [HX-SCE-19.0-50-9](#) [HX-SCE-6.4-50-4](#) [C25254-000](#)