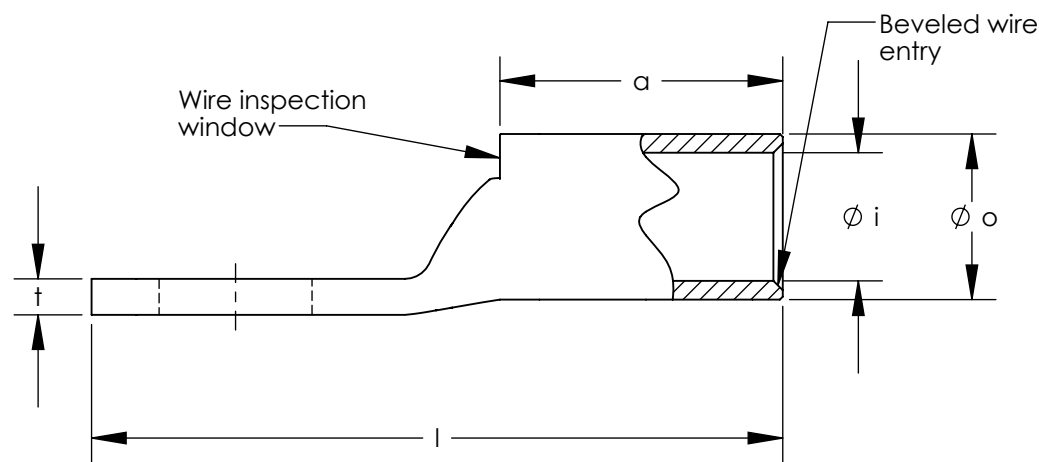
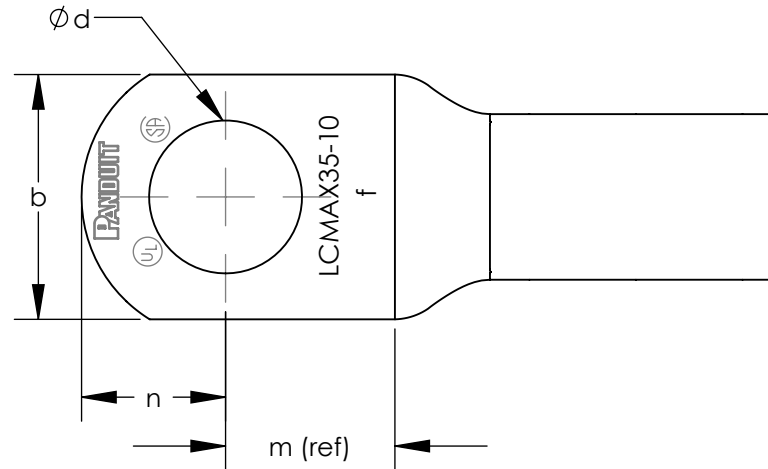


ALL DIMENSIONS ARE IN (mm)

Part Number	Wire Size	Wire Class	Stud Size	Wire Strip Length	$l \pm 2.76$	$o \pm .50$	$i \pm .50$	$a \pm 2.25$	m (ref)	n	$d \pm .50$	$b \pm 2.25$	$t \pm .40$
LCMAX35-6-C	35 mm ²	5f & 6f	M6	21.8	46.5	12.30	9.80	20.3	11.5	10.0±2.25	6.60	18.0	2.50
LCMAX35-8-C	35 mm ²	5f & 6f	M8	21.8	46.5	12.30	9.80	20.3	11.5	10.0±2.25	9.00	18.0	2.50
LCMAX35-10-C	35 mm ²	5f & 6f	M10	21.8	46.5	12.30	9.80	20.3	11.5	10.0±2.25	11.00	18.0	2.50
LCMAX35-12-C	35 mm ²	5f & 6f	M12	21.8	50.0	12.30	9.80	20.3	14.0	11.0±2.25	14.00	23.0	1.80
LCMAX50-6-L	50 mm ²	5f & 6f	M6	24.8	53.5	14.20	11.50	23.3	14.5	11.5±2.25	6.60	20.8	2.85
LCMAX50-8-L	50 mm ²	5f & 6f	M8	24.8	53.5	14.20	11.50	23.3	14.5	11.5±2.25	9.00	20.8	2.85
LCMAX50-10-L	50 mm ²	5f & 6f	M10	24.8	53.5	14.20	11.50	23.3	14.5	11.5±2.25	11.00	20.8	2.85
LCMAX50-12-L	50 mm ²	5f & 6f	M12	24.8	53.5	14.20	11.50	23.3	14.5	11.5±2.25	14.00	20.8	2.80
LCMAX70-6-L	70 mm ²	5f & 6f	M6	26.0	60.5	16.50	13.50	24.5	15.0	13.5±2.25	6.60	24.5	3.05
LCMAX70-8-L	70 mm ²	5f & 6f	M8	26.0	60.5	16.50	13.50	24.5	15.0	13.5±2.25	9.00	24.5	3.05
LCMAX70-10-L	70 mm ²	5f & 6f	M10	26.0	60.5	16.50	13.50	24.5	15.0	13.5±2.25	11.00	24.5	3.05
LCMAX70-12-L	70 mm ²	5f & 6f	M12	26.0	60.5	16.50	13.50	24.5	15.0	13.5±2.25	14.00	24.5	3.00
LCMAX95-8-L	95 mm ²	5f & 6f	M8	26.0	65.0	18.60	15.20	24.5	15.5	14.5±2.25	9.00	27.5	3.50
LCMAX95-10-L	95 mm ²	5f & 6f	M10	26.0	65.0	18.60	15.20	24.5	15.5	14.5±2.25	11.00	27.5	3.50
LCMAX95-12-L	95 mm ²	5f & 6f	M12	26.0	65.0	18.60	15.20	24.5	15.5	14.5±2.25	14.00	27.5	3.50
LCMAX95-16-L	95 mm ²	5f & 6f	M16	26.0	65.0	18.60	15.20	24.5	15.5	14.5±2.25	18.00	27.5	3.40
LCMAX120-8-L	120 mm ²	5f & 6f	M8	29.0	70.5	21.00	16.50	27.5	18.0	16.5±2.25	9.00	30.5	4.45
LCMAX120-10-L	120 mm ²	5f & 6f	M10	29.0	70.5	21.00	16.50	27.5	18.0	16.5±2.25	11.00	30.5	4.45
LCMAX120-12-L	120 mm ²	5f & 6f	M12	29.0	70.5	21.00	16.50	27.5	18.0	16.5±2.25	14.00	30.5	4.45
LCMAX120-16-L	120 mm ²	5f & 6f	M16	29.0	70.5	21.00	16.50	27.5	18.0	16.5±2.25	18.00	30.5	4.30



- NOTES:
1. Material: High conductivity seamless copper tube.
 2. Plating: Parts are annealed and tin plated.
 3. WireType: Class 5 and 6 Flexible Stranded Copper Conductor per DIN VDE 0295, IEC 60228, and HD 383.
 4. UL Listed & CSA Certified Wire Connectors for applications up to 35kv, when crimped per instruction sheet included with Panduit packaging. Consult cable manufacturer for voltage stress relief instructions with applications greater than 2000 volts.
 5. UL & CSA Temperature Rating: 90°C



LISTED Wire Connector



CERTIFIED

PANDUIT CORP. TINLEY PARK, ILLINOIS
 METRIC FLEX LUGS - LCMAX SERIES 35-120mm²
 CUSTOMER DRAWING

UNLESS OTHERWISE SPECIFIED
 DIMENSIONAL TOLERANCES ARE:
 (.X) ± (.XXX) ±
 (.XX) ± ANGLES ±

UNLESS OTHERWISE SPECIFIED,
 ALL DIMENSIONS ARE GIVEN IN
 INCHES, THIRD ANGLE PROJECTION

DRAWN BY
 TLCO
 DATE
 5/11
 CHK'D
 TLCO

MAT'L:

SCALE
 NONE
 DRAWING NO / CAD FILE
 10N014BG-NC
 DWG
 B
 SIZE

00	11/12	TLCO	TLCO	DRAWING RELEASED	10N014BG-NC	RGB	RGB
REV	DATE	BY	CHK	DESCRIPTION	ECN	-R	SUP

X-ON Electronics

Largest Supplier of Electrical and Electronic Components

Click to view similar products for [Terminals](#) category:

Click to view products by [Panduit](#) manufacturer:

Other Similar products are found below :

[HT-13-10](#) [71M-250-32-NB](#) [01-2065-1-0216](#) [00581P0075](#) [M10-10RX](#) [M10BCK](#) [60205-1](#) [604200-1](#) [60598-1-CUT-TAPE](#) [60617-1-C](#) [60873-1](#) [M14-516R/SK](#) [M14-6RSX](#) [M18-10FLX](#) [M18-8FBX](#) [M18-8R/LX](#) [M18BCK](#) [61314-6-C](#) [61-S](#) [61-SN-A](#) [62-NBM-A](#) [63-S](#) [640179-1](#) [640917-2-CUT-TAPE](#) [6501550002](#) [66107-2-C](#) [696683-1](#) [696834-1](#) [696861-1](#) [696931-1](#) [696999-1](#) [M8-516RK](#) [M86700006](#) [MA250DMFMX-A](#) [701-2007](#) [701-2307](#) [701-7761-03](#) [70F-110-32-PB](#) [718-N-A](#) [71M-187-20-NBL](#) [71M-250-32-NBL](#) [72F-187-20-NBL](#) [72M-250-32-NBL](#) [7310](#) [73F-250-32](#) [73F-250-32-NBL](#) [73F-250-32-NL](#) [F14-10C](#) [F-1M](#) [751-250](#)