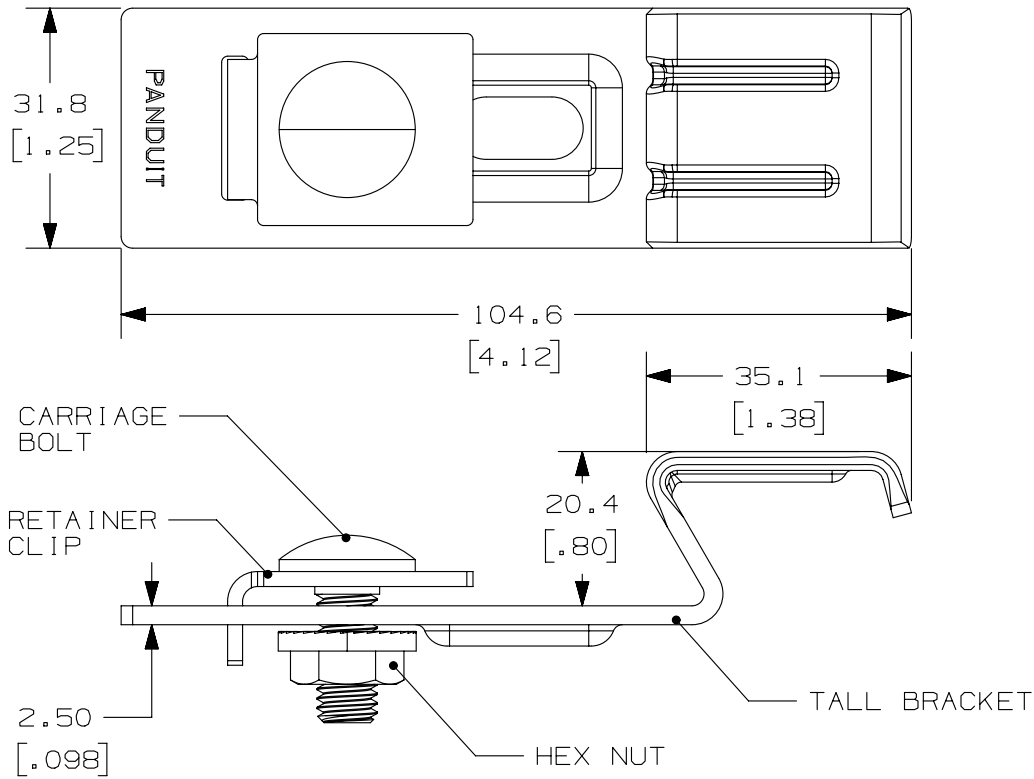


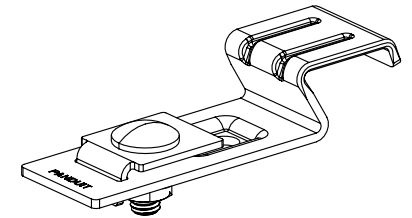
THIS COPY IS PROVIDED ON A RESTRICTED BASIS AND IS NOT TO BE USED IN ANY WAY DETRIMENTAL TO THE INTERESTS OF PANDUIT CORP.



PANDUIT P/N	MATERIAL	WEIGHT / PC
UCIB1-V316	316 STAINLESS STEEL	103.5 g [.228 lbs]
UCIB1-VC	COMMERCIAL STEEL / GALVANIZED	107.8 g [.238 lbs]

NOTES:

1. PRIMARY DIMENSIONS IN METRIC (mm). DIMENSIONS IN [ ] ARE ENGLISH (in).
2. THIS PRODUCT INTENDED FOR USE WITH I-BEAM STYLE LADDER RUNG IN GALVANIZED STEEL, STAINLESS STEEL, OR ALUMINUM CONSTRUCTIONS.
3. EACH ASSEMBLY INCLUDES:  
 (1) TALL BRACKET PIECE  
 (1) RETAINER CLIP  
 (1) M8 X 1.25 X 20mm CARRIAGE BOLT  
 (1) SERRATED-FLANGE HEX NUT



REV	DATE	BY	CHK	APR	DESCRIPTION	ECN
-	-----	----	----	----	RELEASED TO PRODUCTION	-----
1	06-12-14	RMHI	RMHI	RGRO	B. UPDATED WEIGHTS IN TABLE A. REVISED TITLE	12L025AW-DC
R	04-30-14	JBN	RMHI		DRAWING RELEASED	

TITLE		UNICLIP I-BEAM BRACKET UCIB1	
CUSTOMER DRAWING			
ITEM REVISION NAME		12L025AW/04	
DATASET FILE NAME		12L025AW_DC/04B	
UNLESS OTHERWISE SPECIFIED, DIMENSIONAL TOLERANCES ARE: mm [IN]		SEE CHART	
.x ± .3 [ .01 ]      .xxx ± .127 [ .005 ]		DRAWING NUMBER:	
.xx ± .25 [ .010 ]      ANGLES ± 5 °		12L025AW-DC	
THIRD ANGLE PROJECTION		SHT 1 OF 1	
DRAWN BY	DATE	CHK	SCALE
JBN	04-30-14	RMHI	N.T.S.
SIZE		A	

## X-ON Electronics

Largest Supplier of Electrical and Electronic Components

*Click to view similar products for [Wire Ducting](#) category:*

*Click to view products by [Panduit](#) manufacturer:*

Other Similar products are found below :

[66200A-10](#) [CVED32VEPG](#) [CVED40VEPG](#) [F512D5-5F140Y](#) [F512D5-5F200Y](#) [F512D5-5F26Y](#) [F512D5-5F30Y](#) [F512D5-5F33Y](#) [F512D5-5F34Y](#) [F512D5-5F45Y](#) [F512D5-5F50Y](#) [F512D5-5F54Y](#) [F512D5-5F66Y](#) [F512D5-5F70Y](#) [F512D5-5F75Y](#) [F512D5-5F90Y](#) [F612D5-5F100Y](#) [F612D5-5F130Y](#) [F612D5-5F50Y](#) [F612D5-5F56Y](#) [F612D5-5F58Y](#) [F6L12D5-5F46](#) [F912D5-5F11Y](#) [F912D5-5F170Y](#) [F912D5-5F175Y](#) [F912D5-5F230Y](#) [F912D5-5F300Y](#) [F912D5-5F55Y](#) [F912D5-5F56Y](#) [F912D5-5F63Y](#) [F912D5-5F6Y](#) [F912D5-5F75Y](#) [F912D5-5F85Y](#) [F912D5-5F86Y](#) [F912D5-5F88Y](#) [F912D5-5F96Y](#) [FAP0047WBLMTP](#) [FAP12WBRDRDDLZ](#) [FAP12WDYLYLDLZ](#) [FAP12WEORORDLZ](#) [FAP6WEORORDLZ](#) [FAP6WFDBDBDLZ](#) [FAP8WEORORDLZ](#) [FCE2UWCL](#) [800A-LB](#) [802A-ECSP](#) [802I-ICSP](#) [FJQADH](#) [FJQFXT](#) [PED10](#)