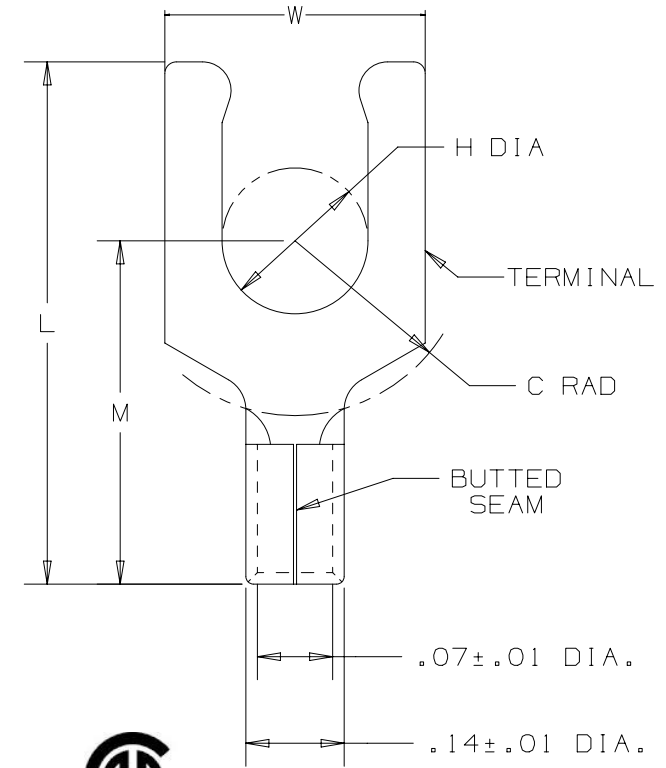


THIS COPY IS PROVIDED ON A RESTRICTED BASIS AND IS NOT TO BE USED IN ANY WAY DETRIMENTAL TO THE INTERESTS OF PANDUIT CORP.

PANDUIT PART #	STUD SIZE	DIMENSIONS - in. [mm]				
		L ± .02 [0,5]	W ± .01 [0,3]	C ± .02 [0,5]	M ± .02 [0,5]	H ± .01 [0,3]
E18-6LFB	#6	.68 [17,3]	.27 [6,9]	.22 [5,6]	.48 [12,2]	.15 [3,8]
E18-8LFB	#8	.74 [18,8]	.29 [7,4]	.23 [5,8]	.53 [13,5]	.16 [4,1]
E18-10LFB	#10	.74 [18,8]	.33 [8,4]	.23 [5,8]	.53 [13,5]	.19 [4,8]

UL & CSA TOOLS
CT-100A CT-200 CT-600-A (CT-570CH) CT-1570 CT-2500 (CT-2570CH)

PANDUIT APPROVED TOOLS
CT-160 CT-260



NOTES:

- UL LISTED & CSA CERTIFIED FOR:
 - #22-18 AWG SOLID OR STRANDED COPPER WIRE
 - 302°F [150°C] MAX TEMP RATING
 - 2000 VOLTS MAX
- MATERIAL:
 - STAMPING - .032" [0,8] THK COPPER, TIN PLATED
- WIRE STRIP LENGTH: $9/32'' \begin{matrix} +1/32 \\ -0 \end{matrix}$ [7,1mm $\begin{matrix} +0,8 \\ -0 \end{matrix}$]
- SEE WWW.PANDUIT.COM FOR PACKAGE QUANTITIES
- DIMENSIONS IN BRACKETS ARE IN MILLIMETERS



TITLE		STRONGHOLD LOCKING FORK TERMINAL NON-INSULATED, BUTTED SEAM #22-18 AWG	
ITEM REVISION NAME		CUSTOMER DRAWING	
DATASET FILE NAME		00123SHS/00	
UNLESS OTHERWISE SPECIFIED, DIMENSIONAL TOLERANCES ARE: IN [mm]		MATERIAL:	
.X ± .XX ±		SEE NOTES	
.XXX ± ANGLES ±		DRAWING NUMBER:	
THIRD ANGLE PROJECTION		SH41059	
DRAWN BY	DATE	CHK	SCALE
JHNU	2/18	TMR	NTS
REV	DATE	BY	CHK
00	2/18	JHNU	TMR
APR	RELEASED	RGB	
DESCRIPTION	ECN	SHT 1 OF 1	A

D10100DA/16

X-ON Electronics

Largest Supplier of Electrical and Electronic Components

Click to view similar products for [Terminals](#) category:

Click to view products by [Panduit](#) manufacturer:

Other Similar products are found below :

[HT-13-10](#) [71M-250-32-NB](#) [01-2065-1-0216](#) [00581P0075](#) [M10-10RX](#) [M10BCK](#) [60205-1](#) [604200-1](#) [60598-1-CUT-TAPE](#) [60617-1-C](#) [60873-1](#) [M14-516R/SK](#) [M14-6RSX](#) [M18-10FLX](#) [M18-8FBX](#) [M18-8R/LX](#) [M18BCK](#) [61314-6-C](#) [61-S](#) [61-SN-A](#) [62-NBM-A](#) [63-S](#) [640179-1](#) [640917-2-CUT-TAPE](#) [6501550002](#) [66107-2-C](#) [696683-1](#) [696834-1](#) [696861-1](#) [696931-1](#) [696999-1](#) [M8-516RK](#) [M86700006](#) [MA250DMFMX-A](#) [701-2007](#) [701-2307](#) [701-7761-03](#) [70F-110-32-PB](#) [718-N-A](#) [71M-187-20-NBL](#) [71M-250-32-NBL](#) [72F-187-20-NBL](#) [72M-250-32-NBL](#) [7310](#) [73F-250-32](#) [73F-250-32-NBL](#) [73F-250-32-NL](#) [F14-10C](#) [F-1M](#) [751-250](#)