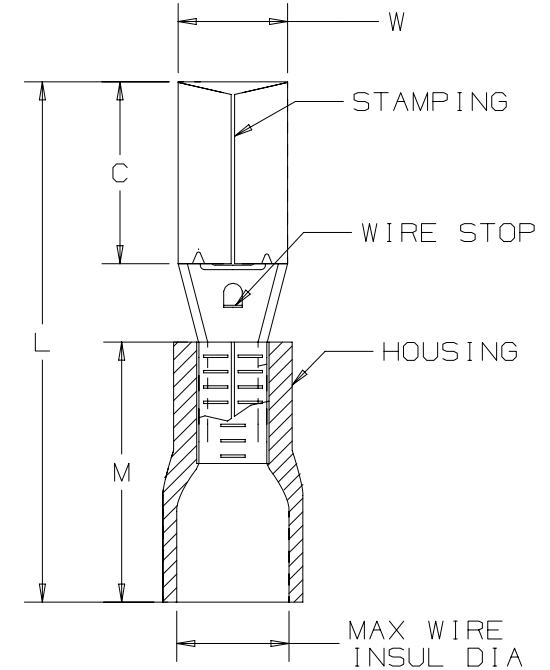


THIS COPY IS PROVIDED ON A RESTRICTED BASIS AND IS NOT TO BE USED IN ANY WAY DETRIMENTAL TO THE INTERESTS OF PANDUIT CORP.

PANDUIT PART #	WIRE RANGE AWG [mm ²]	COLOR	DIMENSIONS in. [mm]				MAX WIRE INSUL DIA	WIRE STRIP LENGTH in [mm] + 1/32 [0.8] -0	TOOLS
			L ± .04 [1.1]	W ± .01 [0.3]	C ± .02 [0.4]	M ± .02 [0.6]			
EBV18-4B	#22-16 [0.5-1.5]	RED	0.85 [21.5]	.15 [3.9]	.28 [7.0]	.39 [10.0]	.145 [3.7]	9/32" [6.8]	KST2000C
EBV14-4B	#16-14 [1.5-2.5]	BLUE	0.85 [21.5]	.15 [3.9]	.28 [7.0]	.39 [10.0]	.165 [4.2]		

NOTES:

- UL RECOGNIZED FOR:
 - STRANDED COPPER WIRE ONLY - INTERNAL WIRING
 - NOT FOR INTERRUPTING CURRENT
 - 122°F (50°C) MAX TEMP RATING
 - 600V MAX VOLTAGE RATING
- MATERIAL:
 - STAMPING - .016" [0.4] THICK BRASS, TIN PLATED
 - HOUSING - VINYL
- SEE WWW.PANDUIT.COM FOR PACKAGE QUANTITIES
- DIMENSIONS IN BRACKETS ARE METRIC EQUIVALENT.



TITLE STRONGHOLD FEMALE BULLET CONNECTORS (156 SERIES) VINYL INSULATED, #22-14 AWG CUSTOMER DRAWING				
ITEM REVISION NAME		00123SSS/00		
DATASET FILE NAME		00123SSS/00		
UNLESS OTHERWISE SPECIFIED, DIMENSIONAL TOLERANCES ARE: IN [mm] .x ± .1 [2.54] .xxx ± .005 [.127] .xx ± .01 [.25] ANGLES ± 5°				MATERIAL: SEE NOTES
DRAWING NUMBER: 00123SSS-DC				
DRAWN BY	DATE	CHK	SCALE	SIZE
JHNU	2/18		NONE	A

REV	DATE	BY	CHK	APR	DESCRIPTION	ECN
00	2/18	JHNU	TMR	RGB	DRAWING RELEASED	00123SS

D10100DA/20

X-ON Electronics

Largest Supplier of Electrical and Electronic Components

Click to view similar products for [Terminals](#) category:

Click to view products by [Panduit](#) manufacturer:

Other Similar products are found below :

[HT-13-10](#) [71M-250-32-NB](#) [01-2065-1-0216](#) [00581P0075](#) [M10-10RX](#) [M10BCK](#) [60205-1](#) [604200-1](#) [60598-1-CUT-TAPE](#) [60617-1-C](#) [60873-1](#) [M14-516R/SK](#) [M14-6RSX](#) [M18-10FLX](#) [M18-8FBX](#) [M18-8R/LX](#) [M18BCK](#) [61314-6-C](#) [61-S](#) [61-SN-A](#) [62-NBM-A](#) [63-S](#) [640179-1](#) [640917-2-CUT-TAPE](#) [6501550002](#) [66107-2-C](#) [696683-1](#) [696834-1](#) [696861-1](#) [696931-1](#) [696999-1](#) [M8-516RK](#) [M86700006](#) [MA250DMFMX-A](#) [701-2007](#) [701-2307](#) [701-7761-03](#) [70F-110-32-PB](#) [718-N-A](#) [71M-187-20-NBL](#) [71M-250-32-NBL](#) [72F-187-20-NBL](#) [72M-250-32-NBL](#) [7310](#) [73F-250-32](#) [73F-250-32-NBL](#) [73F-250-32-NL](#) [F14-10C](#) [F-1M](#) [751-250](#)