

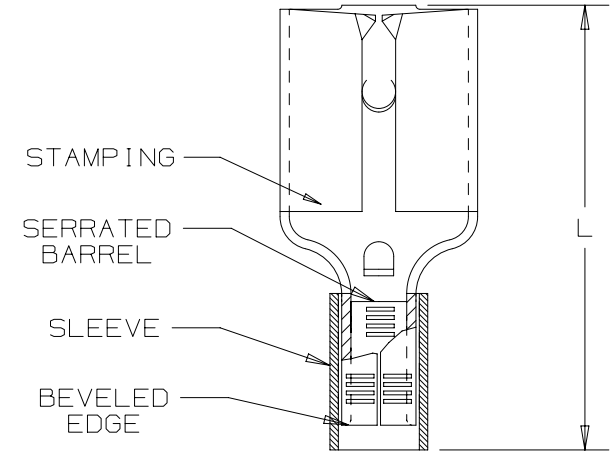
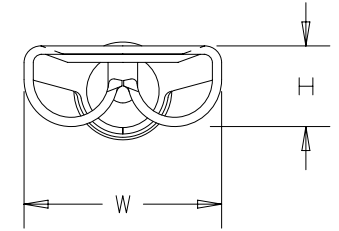
THIS COPY IS PROVIDED ON A RESTRICTED BASIS AND IS NOT TO BE USED IN ANY WAY DETRIMENTAL TO THE INTERESTS OF PANDUIT CORP.

PANDUIT PART #	WIRE RANGE AWG [ mm <sup>2</sup> ]	TAB SIZE INCH [ mm ]	DIMENSIONS in. [ mm ]		
			L± .03 [ 0,8 ]	W± .01 [ 0,3 ]	H± .01 [ 0,3 ]
ED18-188	#22-18 [ 0,5-1,0 ]	.187 X .020 [ 4,8 X 0,5 ]	.58 [ 14,7 ]	.23 [ 5,8 ]	.10 [ 2,5 ]
ED14-188*	#16-14 [ 1,5-2,5 ]	.187 X .020 [ 4,8 X 0,5 ]	.58 [ 14,7 ]	.23 [ 5,8 ]	.10 [ 2,5 ]

\*UL RECOGNIZED ONLY

NOTES:

- UL LISTED AND CSA CERTIFIED FOR:
  - STRANDED COPPER WIRE ONLY
  - 302°F (150°C) MAX TEMP RATING
  - 2000V MAX VOLTAGE
- MATERIAL:
  - STAMPING: .016 (0.41) THK BRASS, TIN PLATED
  - SLEEVE: BRASS, TIN PLATED
- INSTALLATION TOOLS:
  - UL LISTED AND CSA CERTIFIED: CT-100A, CT-200, CT-570, CT-1570, CT-2457CH
  - UL RECOGNIZED: CT-100A, CT-200, CT-570, CT-1570, CT-2457CH
  - PANDUIT APPROVED: CT-160, CT-260
- WIRE STRIP LENGTH 9/32" <sup>+1/32</sup> <sub>-0</sub> [ 7.1mm <sup>+0.8</sup> <sub>-0</sub> ]
- FIRST INSERTION FORCE: 12 LB (53N) MAX  
FIRST WITHDRAWAL FORCE: 12 LB (53N) MAX  
6 LB (27N) MIN
- SEE WWW.PANDUIT.COM FOR PACKAGE QUANTITIES INDICATED BY PART NUMBER SUFFIX
- DIMENSIONS IN BRACKETS ARE METRIC EQUIVALENT



LISTED  
20H3  
E78522



CERTIFIED  
LR31212



RECOGNIZED  
E78522

<b>TITLE</b> STRONGHOLD FEMALE DISCONNECT (188 SERIES) NON-INSULATED, SLEEVED BARREL #22-14 AWG CUSTOMER DRAWING					
ITEM REVISION NAME 00123SHF/00					
DATASET FILE NAME 00123SHF/00					
UNLESS OTHERWISE SPECIFIED, DIMENSIONAL TOLERANCES ARE: IN [ mm ] .x ± .1 [ 2.54 ]      .xxx ± .005 [ .127 ] .xx ± .01 [ .25 ]      ANGLES ± 5 °			MATERIAL: SEE NOTES		
THIRD ANGLE PROJECTION			DRAWING NUMBER: SH41305		
DRAWN BY JHNU	DATE 02.07.18	CHK TMR	SCALE N.T.S.	SHT 1 OF 1	SIZE A

00	2/18	JHNU	TMR	RGB	RELEASED	00123SH
REV	DATE	BY	CHK	APR	DESCRIPTION	ECN

D10100DA/20

## X-ON Electronics

Largest Supplier of Electrical and Electronic Components

*Click to view similar products for [Terminals](#) category:*

*Click to view products by [Panduit](#) manufacturer:*

Other Similar products are found below :

[HT-13-10](#) [71M-250-32-NB](#) [01-2065-1-0216](#) [00581P0075](#) [M10-10RX](#) [M10BCK](#) [60205-1](#) [604200-1](#) [60598-1-CUT-TAPE](#) [60617-1-C](#) [60873-1](#) [M14-516R/SK](#) [M14-6RSX](#) [M18-10FLX](#) [M18-8FBX](#) [M18-8R/LX](#) [M18BCK](#) [61314-6-C](#) [61-S](#) [61-SN-A](#) [62-NBM-A](#) [63-S](#) [640179-1](#) [640917-2-CUT-TAPE](#) [6501550002](#) [66107-2-C](#) [696683-1](#) [696834-1](#) [696861-1](#) [696931-1](#) [696999-1](#) [M8-516RK](#) [M86700006](#) [MA250DMFMX-A](#) [701-2007](#) [701-2307](#) [701-7761-03](#) [70F-110-32-PB](#) [718-N-A](#) [71M-187-20-NBL](#) [71M-250-32-NBL](#) [72F-187-20-NBL](#) [72M-250-32-NBL](#) [7310](#) [73F-250-32](#) [73F-250-32-NBL](#) [73F-250-32-NL](#) [F14-10C](#) [F-1M](#) [751-250](#)