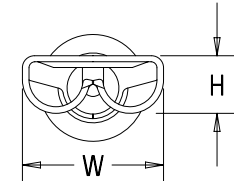


THIS COPY IS PROVIDED ON A RESTRICTED BASIS AND IS NOT TO BE USED IN ANY WAY DETRIMENTAL TO THE INTERESTS OF PANDUIT CORP.

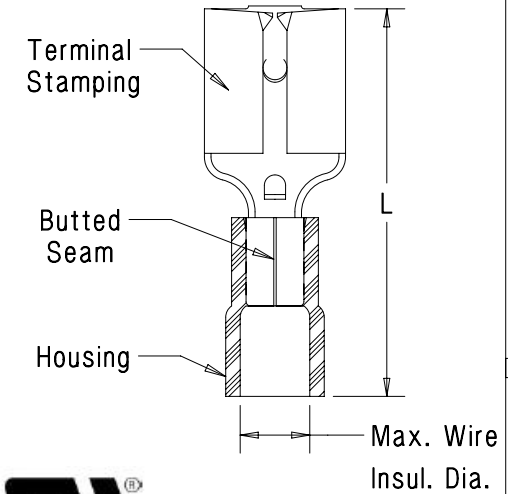
PANDUIT PART #	WIRE RANGE AWG [mm ²]	TAB SIZE INCH [mm]	HOUSING COLOR	MAX. WIRE INSULATION DIA.	DIMENSIONS in. [mm]		
					L± .03 [0,8]	W± .01 [0,3]	H± .02 [0,5]
EDV18-188B	#22-18 [0,5-1,0]	.187 X .020 [4,8 X 0,5]	RED	.136 [3,45]	.79 [20,1]	.23 [5,8]	.10 [2,5]
EDV14-188B*	#16-14 [1,5-2,5]	.187 X .020 [4,8 X 0,5]	BLUE	.162 [4,11]	.79 [20,1]	.23 [5,8]	.10 [2,5]



*UL RECOGNIZED ONLY

NOTES:

- UL LISTED AND CSA CERTIFIED FOR:
 - STRANDED COPPER WIRE ONLY
 - 221°F (105°C) MAX TEMP RATING
 - 600V MAX VOLTAGE
- MATERIAL:
 - STAMPING: .016" (0.41) THK BRASS, TIN PLATED
 - HOUSING: VINYL
- INSTALLATION TOOLS:
 - UL LISTED AND CSA CERTIFIED: CT-520, CT-1525
 - UL RECOGNIZED: CT-520, CT-1525
- WIRE STRIP LENGTH 1/4" ^{+1/32} ₋₀ [6.3mm ^{+0.8} ₋₀]
- FIRST INSERTION FORCE: 12 LB (53N) MAX
 FIRST WITHDRAWAL FORCE: 12 LB (53N) MAX
 6 LB (27N) MIN
- SEE WWW.PANDUIT.COM FOR PACKAGE QUANTITIES INDICATED BY PART NUMBER SUFFIX
- DIMENSIONS IN BRACKETS ARE METRIC EQUIVALENT



LISTED
20H3
E78522



CERTIFIED
LR31212



RECOGNIZED
E78522

TITLE STRONGHOLD FEMALE DISCONNECT (188 SERIES) VINYL INSULATED, BUTTED SEAM #22-14 AWG	
CUSTOMER DRAWING	
ITEM REVISION NAME	00123STL/00
DATASET FILE NAME	00123STL/00
UNLESS OTHERWISE SPECIFIED, DIMENSIONAL TOLERANCES ARE: IN [mm] .x ± .1 [2.54] .xxx ± .005 [.127] .xx ± .01 [.25] ANGLES ± 5 °	MATERIAL: SEE NOTES
THIRD ANGLE PROJECTION	DRAWING NUMBER: SH41554
DRAWN BY JHNU	DATE 2/18
CHK TMR	SCALE NTS
SHT 1 OF 1	
SIZE A	

REV	DATE	BY	CHK	APR	DESCRIPTION	ECN
00	2/18	JHNU	TMR	RGB	RELEASED	00123SH

D10100DA/20

X-ON Electronics

Largest Supplier of Electrical and Electronic Components

Click to view similar products for [Terminals](#) category:

Click to view products by [Panduit](#) manufacturer:

Other Similar products are found below :

[HT-13-10](#) [71M-250-32-NB](#) [01-2065-1-0216](#) [00581P0075](#) [M10-10RX](#) [M10BCK](#) [60205-1](#) [604200-1](#) [60598-1-CUT-TAPE](#) [60617-1-C](#) [60873-1](#) [M14-516R/SK](#) [M14-6RSX](#) [M18-10FLX](#) [M18-8FBX](#) [M18-8R/LX](#) [M18BCK](#) [61314-6-C](#) [61-S](#) [61-SN-A](#) [62-NBM-A](#) [63-S](#) [640179-1](#) [640917-2-CUT-TAPE](#) [6501550002](#) [66107-2-C](#) [696683-1](#) [696834-1](#) [696861-1](#) [696931-1](#) [696999-1](#) [M8-516RK](#) [M86700006](#) [MA250DMFMX-A](#) [701-2007](#) [701-2307](#) [701-7761-03](#) [70F-110-32-PB](#) [718-N-A](#) [71M-187-20-NBL](#) [71M-250-32-NBL](#) [72F-187-20-NBL](#) [72M-250-32-NBL](#) [7310](#) [73F-250-32](#) [73F-250-32-NBL](#) [73F-250-32-NL](#) [F14-10C](#) [F-1M](#) [751-250](#)