

2

1

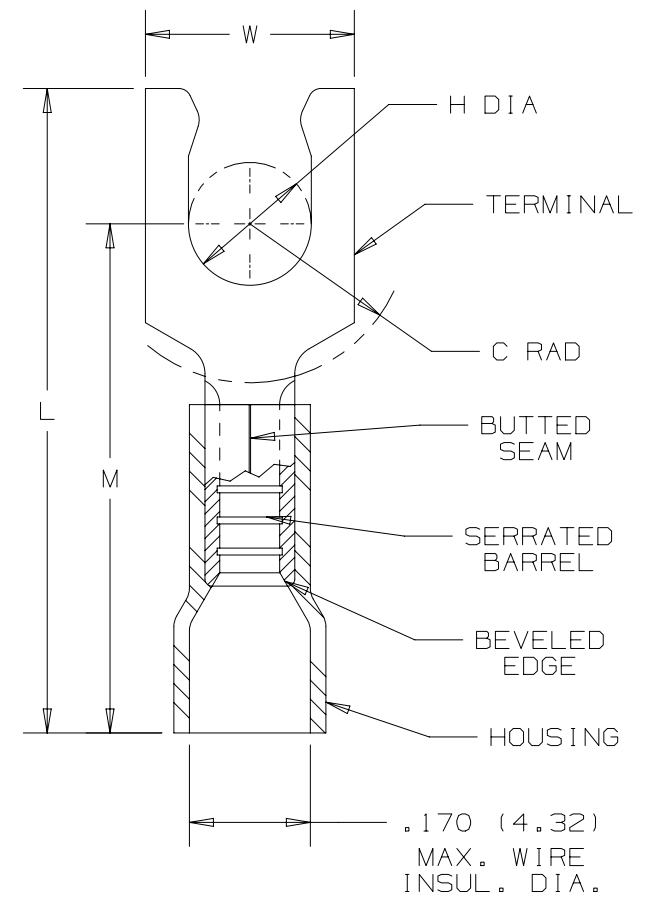
THIS COPY IS PROVIDED ON A RESTRICTED BASIS AND IS NOT TO BE USED IN ANY WAY DETRIMENTAL TO THE INTERESTS OF PANDUIT CORP.

PANDUIT PART NUMBER	STUD SIZE	DIMENSIONS - in.					TOOLS
		L ± .03	W ± .01	C ± .02	M ± .03	H ± .01	
EV14-6LFB	#6	.90 (22.86)	.25 (6.35)	.22 (5.59)	.68 (17.27)	.14 (3.56)	*CT-100A CT-600-A (CT-500CH) CT-600-A (CT-550CH) CT-1550 CT-1551 CT-2500 (CT-2550CH)
EV14-8LFB	#8	.97 (24.64)	.29 (7.37)	.25 (6.35)	.73 (18.54)	.16 (4.06)	
EV14-10LFB	#10	.97 (24.64)	.33 (8.38)	.25 (6.35)	.73 (18.54)	.19 (4.83)	

\*CT-100A, 167°F (75°C) MAX TEMP. RATING

NOTES:

- UL LISTED AND CSA CERTIFIED FOR:
  - A. #16-14 AWG SOLID OR STRANDED COPPER WIRE
  - B. 221°F (105°C) MAX TEMP. RATING
  - C. 600V MAX. BLDG WIRE (1000 V MAX. IN SIGNS, FIXTURES & LUMINARIES)
- MATERIAL:
  - A. STAMPING - .032" THK, COPPER TIN PLATED
  - B. HOUSING - VINYL, BLUE
  - C. SLEEVE - BRASS, TIN PLATED
- WIRE STRIP LENGTH: 5/16" <sup>+1/32</sup> <sub>-0</sub> [ 7.9mm <sup>+0.8</sup> <sub>-0</sub> ]
- SEE WWW.PANDUIT.COM FOR PACKAGE QUANTITIES
- DIMENSIONS IN BRACKETS ARE IN MILLIMETERS



B

B

A

A

D10100DA/16

REV	DATE	BY	CHK	APR	DESCRIPTION	ECN
00	2/18	JHNU	TMR	RGB	RELEASED	00123SH

TITLE <b>STRONGHOLD LOCKING FORK TERMINAL VINYL INSULATED, BUTTED SEAM #16-14 AWG</b>		CUSTOMER DRAWING	
ITEM REVISION NAME 00123SHU/00		<b>PANDUIT</b>	
DATASET FILE NAME 00123SHU/00			
UNLESS OTHERWISE SPECIFIED, DIMENSIONAL TOLERANCES ARE: IN (mm)			
.X ± .XX ±	.XXX ± ANGLES ±	MATERIAL:  SEE NOTES	
THIRD ANGLE PROJECTION		DRAWING NUMBER: <b>SH41296</b>	
DRAWN BY JHNU	DATE 2/18	CHK TMR	SCALE NONE
SHT 1 OF 1		SIZE A	

2

1

## X-ON Electronics

Largest Supplier of Electrical and Electronic Components

*Click to view similar products for [Terminals](#) category:*

*Click to view products by [Panduit](#) manufacturer:*

Other Similar products are found below :

[HT-13-10](#) [71M-250-32-NB](#) [01-2065-1-0216](#) [00581P0075](#) [M10-10RX](#) [M10BCK](#) [60205-1](#) [604200-1](#) [60598-1-CUT-TAPE](#) [60617-1-C](#) [60873-1](#) [M14-516R/SK](#) [M14-6RSX](#) [M18-10FLX](#) [M18-8FBX](#) [M18-8R/LX](#) [M18BCK](#) [61314-6-C](#) [61-S](#) [61-SN-A](#) [62-NBM-A](#) [63-S](#) [640179-1](#) [640917-2-CUT-TAPE](#) [6501550002](#) [66107-2-C](#) [696683-1](#) [696834-1](#) [696861-1](#) [696931-1](#) [696999-1](#) [M8-516RK](#) [M86700006](#) [MA250DMFMX-A](#) [701-2007](#) [701-2307](#) [701-7761-03](#) [70F-110-32-PB](#) [718-N-A](#) [71M-187-20-NBL](#) [71M-250-32-NBL](#) [72F-187-20-NBL](#) [72M-250-32-NBL](#) [7310](#) [73F-250-32](#) [73F-250-32-NBL](#) [73F-250-32-NL](#) [F14-10C](#) [F-1M](#) [751-250](#)