

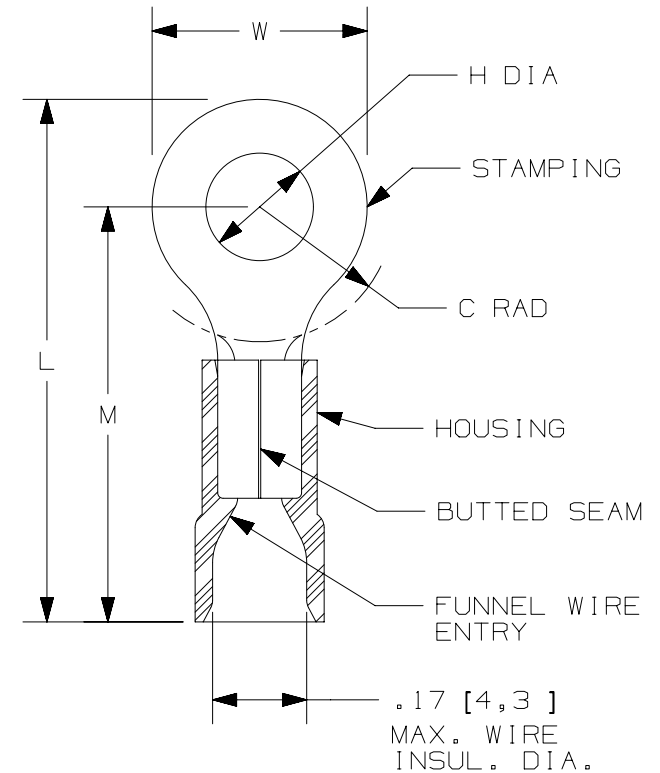
THIS COPY IS PROVIDED ON A RESTRICTED BASIS AND IS NOT TO BE USED IN ANY WAY DETRIMENTAL TO THE INTERESTS OF PANDUIT CORP.

PANDUIT PART #	STUD SIZE		DIMENSIONS in. [mm]				
	ENGLISH	METRIC	L ± .03 [0,8]	W ± .01 [0,3]	C ± .02 [0,5]	M ± .03 [0,8]	H ± .01 [0,3]
EV14-6RB	#6	M3	.92 [23,4]	.31 [7,9]	.25 [6,4]	.76 [19,3]	.15 [3,8]
EV14-8RB	#8	M4	.92 [23,4]	.31 [7,9]	.25 [6,4]	.76 [19,3]	.17 [4,3]
EV14-10RB	#10	M5	.92 [23,4]	.31 [7,9]	.25 [6,4]	.76 [19,3]	.20 [5,1]
EV14-14RB	1/4"	M6	1.12 [28,5]	.46 [11,7]	.38 [9,7]	.89 [22,6]	.27 [6,9]
EV14-56RB	5/16"	M8	1.12 [28,5]	.46 [11,7]	.38 [9,7]	.89 [22,6]	.34 [8,6]

*RATED FOR 167°F [75°C] MAX TEMP. WITH CT-100A

NOTES:

- USED FOR:
 - A. 16-14 AWG [1,5-2,5 mm²] STRANDED COPPER WIRE
 - B. 221°F [105°C] MAX. OPERATING TEMPERATURE
 - C. 600V. MAX. BLDG WIRE (1000 V. MAX. IN SIGNS, FIXTURES & LUMINAIRES)
- MATERIAL:
 - A. STAMPING: .032" [0,8] THK COPPER, TIN PLATED
 - B. HOUSING: VINYL, BLUE
- INSTALLATION TOOLS PANDUIT APPROVED:
 - A. UL APPROVED: CT-100A*, CT-600-A (CT-550CH) CT-1550, CT-1551, CT-2500 (CT-2550CH)
 - B. PANDUIT APPROVED: CT-160, CT-260, CT-400
- WIRE STRIP LENGTH: 5/16" ^{+1/32}₋₀ [7,9mm ^{+0,8}₋₀]
- SEE www.panduit.com FOR PACKAGE QUANTITIES INDICATED BY PART NUMBER SUFFIX
- DIMENSIONS IN BRACKETS ARE METRIC EQUIVALENT



LISTED
587H
E52164



CERTIFIED
LR31212

TITLE		STRONGHOLD RING TERMINALS VINYL INSULATED, BUTTED SEAM #16-14 AWG		
ITEM REVISION NAME		CUSTOMER DRAWING		
00123STG/00		PANDUIT TM		
DATASET FILE NAME				
UNLESS OTHERWISE SPECIFIED, DIMENSIONAL TOLERANCES ARE: IN [mm]		MATERIAL: SEE NOTES		
.x ± .1 [2.54] .xxx ± .005 [.13]		DRAWING NUMBER: SH41184		
.xx ± .01 [.25] ANGLES ± 5°		THIRD ANGLE PROJECTION		
DRAWN BY	DATE	CHK	SCALE	SIZE
JHNU	2/18	TMR	N.T.S.	A
REV	DATE	BY	CHK	APR
00	2/18	JHNU	TMR	RGB
DESCRIPTION				ECN
RELEASED				00123SH
SHEET 1 OF 1				

D101000DA/12

X-ON Electronics

Largest Supplier of Electrical and Electronic Components

Click to view similar products for [Terminals](#) category:

Click to view products by [Panduit](#) manufacturer:

Other Similar products are found below :

[HT-13-10](#) [71M-250-32-NB](#) [01-2065-1-0216](#) [00581P0075](#) [M10-10RX](#) [M10BCK](#) [60205-1](#) [604200-1](#) [60598-1-CUT-TAPE](#) [60617-1-C](#) [60873-1](#) [M14-516R/SK](#) [M14-6RSX](#) [M18-10FLX](#) [M18-8FBX](#) [M18-8R/LX](#) [M18BCK](#) [61314-6-C](#) [61-S](#) [61-SN-A](#) [62-NBM-A](#) [63-S](#) [640179-1](#) [640917-2-CUT-TAPE](#) [6501550002](#) [66107-2-C](#) [696683-1](#) [696834-1](#) [696861-1](#) [696931-1](#) [696999-1](#) [M8-516RK](#) [M86700006](#) [MA250DMFMX-A](#) [701-2007](#) [701-2307](#) [701-7761-03](#) [70F-110-32-PB](#) [718-N-A](#) [71M-187-20-NBL](#) [71M-250-32-NBL](#) [72F-187-20-NBL](#) [72M-250-32-NBL](#) [7310](#) [73F-250-32](#) [73F-250-32-NBL](#) [73F-250-32-NL](#) [F14-10C](#) [F-1M](#) [751-250](#)