



DIMENSIONS

Overall: 2"W x 1/2"D
 Capillary Tube Openings: 1/8", 1/4" & 3/8"
 Sensor / Tube Opening: 1/4"

DESCRIPTION & FEATURES

The Klipet Model CC-1 is a capillary clip and sensor holder made of sturdy plenum-rated nylon. It is available in black, gray or natural with the Klipet logo; custom colors and logos also available.

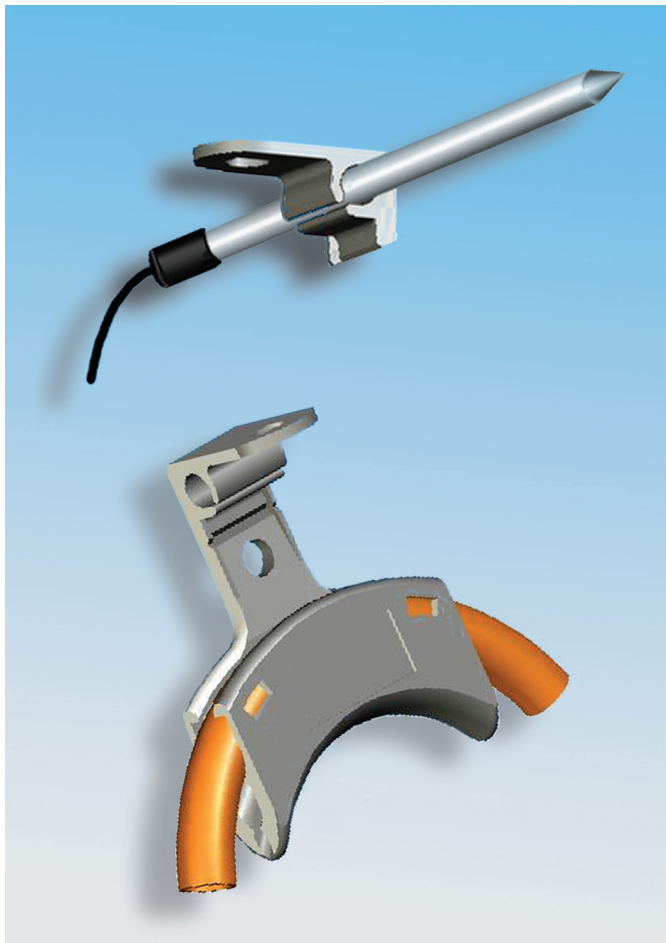
- ▶ Hold three different sizes of capillary tubing: 1/8", 1/4" or 3/8"
- ▶ Slots for tie anchors
- ▶ Inside tapered ridges allow tubing to be snapped in place
- ▶ Mounting in either horizontal or vertical planes
- ▶ Corner slot accepts 1/4" sensors
- ▶ Clips can be separated into two parts:
 - Use one as a capillary mounting clip
 - The other part can be used as a sensor mounting bracket
- ▶ Plenum rated, class 94V-2 nylon
- ▶ Available in NATURAL, GREY & BLACK

ORDERING INFO

PART NUMBER

CC1-N.....NATURAL
 CC1-G.....GREY
 CC1-BK.....BLACK

Custom colors and logos available (10,000 piece minimum)



**STURDY DESIGN
 REPLACES
 OLD COPPER
 "ONE SIZE ONLY" CLIPS**



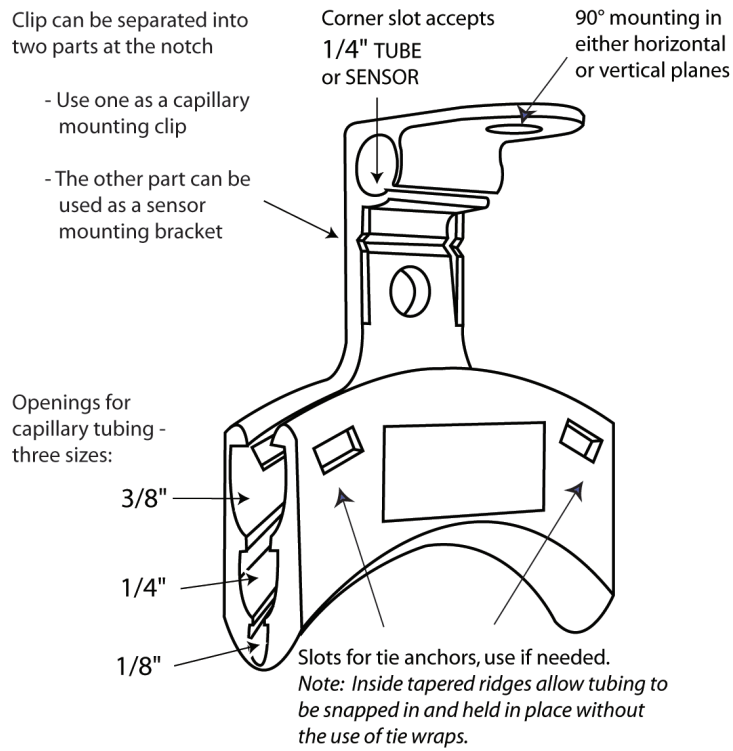
Specifications Installation and Operating Instructions

Capillary Clip

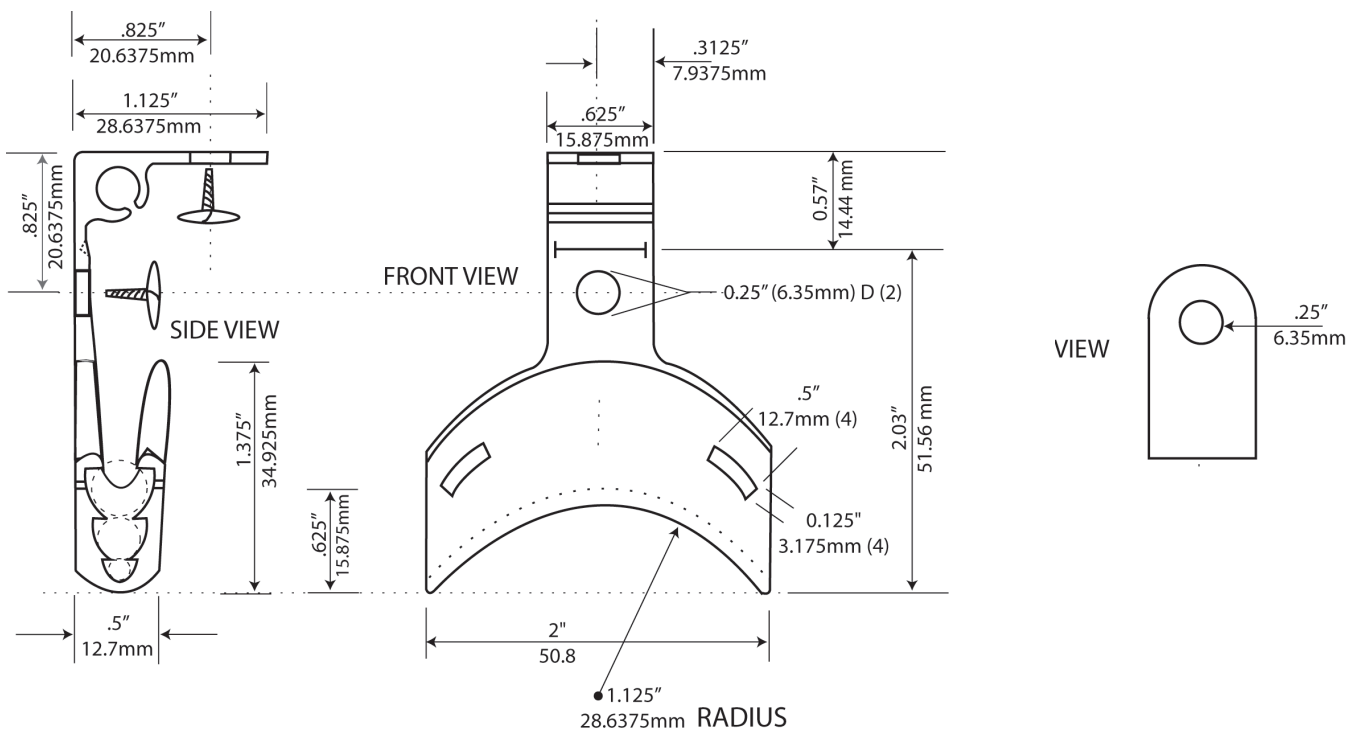
Tubing / Cable



DESIGN ENHANCEMENTS



DIMENSIONS



X-ON Electronics

Largest Supplier of Electrical and Electronic Components

Click to view similar products for [c-ton](#) manufacturer:

Other Similar products are found below :

[PW1.0](#) [PW2-24](#) [PW2-5](#) [LED-B](#) [PW1.5](#) [PW2-12](#) [CC1-N](#) [CC1-G](#)