

## FEATURES

- ▶ Display hold function standard
- ▶ 3½ digits with 0.56" RED or GREEN LED
- ▶ Window mount with optional bezel
- ▶ User-selectable decimal points
- ▶ Optional NEMA case (see DK610 for details)

## SPECIFICATIONS

### DISPLAY

Digits: 3 ½ (±1999 count)  
 Type: 7- segment LED (red or green)  
 Digit Height: .56 in (14.2 mm)  
 Polarity Indication: automatic "-" for neg input  
 Decimal Point: 3 position selectable  
 Overrange: three lower order digits blank for inputs >1999 & < -1999

### SIGNAL INPUTS

Configuration: bipolar, differential  
 Full-Scale Input: ±200 mV, ±2 V, ±20 V  
 Input Offset Adjustment: auto zero  
 Input Impedance: >100 MΩ (±200 mV), -1 MΩ (other ranges)  
 Common Mode Range: ±1 VDC  
 Common Mode Rejection: >86 dB  
 Protection: ±350 VDC (±100 VDC for 200 mV range)  
 Input Bias Current: 1 pA typical, 100 pA max  
 Control Inputs: decimal point select, hold, span adjust trimpot

### PERFORMANCE

Sampling Rate: 3.3 readings / s  
 Accuracy: ± (0.1% + 2 counts) typical  
 ± (0.2% + 2 counts) max  
 Warmup, typical: 10 min  
 Temperature Drift, typical: 100 ppm / °C

### POWER SUPPLY

Supply Voltage: +5 VDC ±5%  
 Supply Current, typical: 200 mA

### ENVIRONMENT

Operating Temperature: 0 to 50°C  
 Storage Temperature: -10 to 60°C  
 Relative Humidity: 0 to 95% non-condensing

### PHYSICAL

Package Style: window mount  
 Dimensions: 2.52 x 1.10 x .73  
 Panel Cutout: 2.05 x .81  
 Weight: 0.7 oz (20 g)  
 Connector: J1C-10 or C10-5 optional  
 Bezel: optional

**CONNECTION:** 10 pin

## ORDERING INFO

PART NUMBER	METER COLOR	METER POWER
DK601	GREEN	200mV DC
DK602	GREEN	2VDC
DK603	GREEN	20VDC
DK604	RED	200mV DC
DK605	RED	2V DC
DK606	RED	20V DC
DK610		NEMA Enclosure

### ACCESSORIES

LED-B	Optional Bezel Mounting Kit
C10-5	.5" - 10 Pin Connector / Wire Assembly
J1C10	.12" - 10 Pin Connector / Wire Assembly
PW2-5	Regulated 120V AC to 5V DC Power Supply
CVC	Calibrator

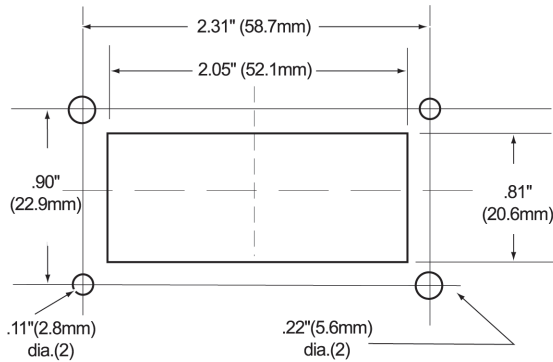


Specifications Installation and Operating Instructions  
**LED Digital Panel Meters**  
 3½ Digit LED Display for voltage inputs

**DK600**



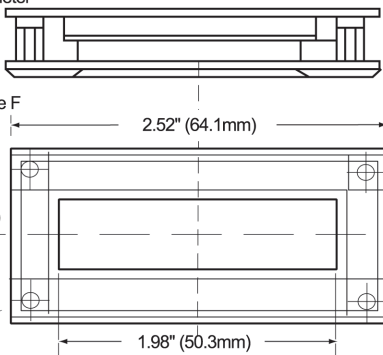
**DIMENSIONS**



Top View  
Digital Panel Meter

2-56 UNC Type F  
self-tapping  
screw  
installed  
from rear  
(2 ea. provided)

Front View of  
Digital Panel Meter

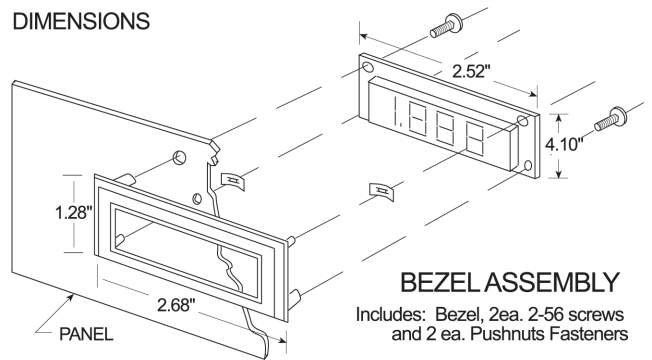


Pushnut  
Fastener  
mounted  
from rear  
(2 ea.)

Side View

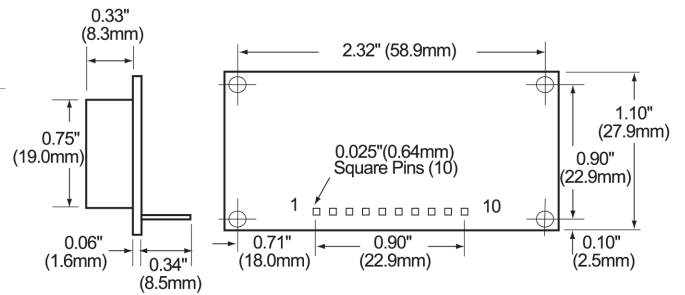
Panel  
Thickness

**DIMENSIONS**



**BEZEL ASSEMBLY**

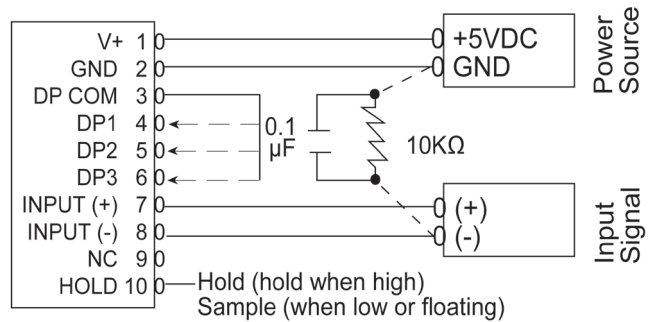
Includes: Bezel, 2 ea. 2-56 screws  
and 2 ea. Pushnuts Fasteners



**WIRING**

**PIN # PIN NAME DESCRIPTION**

PIN #	PIN NAME	DESCRIPTION
1	V+	+5V POWER SUPPLY
2	GND	POWER SUPPLY GROUND
3	DP COM	DECIMAL POINT RETURN
4	DP1	1XX.X (CONNECT TO DP COM TO TURN ON)
5	DP2	1X.XX (CONNECT TO DP COM TO TURN ON)
6	DP3	1.XXX (CONNECT TO DP COM TO TURN ON)
7	INPUT(+)	POSITIVE INPUT SIGNAL
8	INPUT(-)	NEGATIVE INPUT SIGNAL
9	NC	NO CONNECTION REQUIRED
10	HOLD	HOLD LAST DISPLAY



## **X-ON Electronics**

Largest Supplier of Electrical and Electronic Components

*Click to view similar products for [c-ton](#) manufacturer:*

Other Similar products are found below :

[PW1.0](#) [PW2-24](#) [PW2-5](#) [LED-B](#) [PW1.5](#) [PW2-12](#) [CC1-N](#) [CC1-G](#)