



ANTENNA
MAKES THE
DIFFERENCE

GENERAL CATALOGUE 2021



antenne
CALEARO[®]
Antemnae Magister

WE ARE "ANTEMNAE MAGISTER": THE MASTERS OF THE ANTENNA.

Calearo Antenne is a company that was born together with a family: the one created by Alessio Calearo and Lucia Ciman, who, at the end of the 1950s, devoted their energies to lay the foundations what is the industrial group we know today.

Since 1957 our goal and our values have remained unaffected, we have maintained the same passion and the same energy that my parents have transmitted to us and that led Calearo Antenne until today.

"Execute our business using the most advanced technologies to produce the leading solutions in the field of connectivity, bearing in mind that there are people be-

hind this technology": this is the first value that my father chose for its company. This is reason why our strength is in the team, a group made up of all the people who share our experience, our passion and our commitment. The beating heart of Calearo Antenne are the those who work together every day and who recognize the success of the company as a common goal.

It has been more than sixty year since we first look into the connectivity world. Since then, we have made signal transmission our flag. We have built our research centre, the brain of our group, which, thanks to the unceasing dialogue with several Italian and international universities,

guarantees us to be at the forefront of technology. We have grown in terms of numbers, experience and competence. Today we are proud to supply over 20 car manufacturers directly.

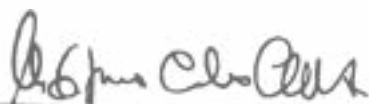
We are a family business with international vision. Our heart is in Italy and our gaze is always towards new horizons.

We want to be the leaders in the production of antennas and connectivity systems for cars, and we do it as ambassadors of Made in Italy in the world. We like to consider limits as opportunities, technological excellence as a starting point, and the constant effort towards technological evolution as a star to aim for.



Nevertheless, we have never forgotten where we started from, nor who accompanied us on our journey, all the people who have contributed to make our company great over the years.

The world moves rapidly and Calearo Antenne keeps up with it. We are ready to face all unexplored challenges, offering dedicated solutions to our partners globally, joining forces with them in developing new technologies in their specific field. We are "Antemnae Magister": the masters of the antennas.



Massimo Calearo Ciman
Chairman





CALEARO **ANTENNE**

Vision

*Magister Antemnae: being best in class in connectivity.
Becoming excellence in your target market.*

Mission

*Being a reference supplier, with profitability,
of highly innovative solutions for market leaders
and some niches in the world of connectivity*



RESEARCH, DEVELOPMENT AND INNOVATION

Evolution plays a special role for Calearo Antenne. Research and development are both a commercial necessity and a constant investment: a look into the future, to remain at the forefront of technology and lead the sector.

Calearo Antenne has always boasted flexibility and the ability to react quickly to market demands, qualities that allow us to face the challenges that the globalized world raises today, and to anticipate those of tomorrow.

**All this is CE.R.CA:
Calearo Research Center
(Centro di Ricerca Calearo).**

The Calearo Research and Development Center, or Ce.R.Ca., is the fulcrum, the engine and the technological soul of Calearo, it is the "place" for the construction of competitiveness from which the leadership of the company and the continuous drive to the future, to innovation and experimentation.

Inaugurated in 2005, the Ce.R.Ca. today employs about 50 highly qualified researchers including PhDs, engineers, physicists and specialized technicians dedicated to research and development for all phases of product advancement, from design to production, working in synergy with national and foreign universities and research centres.



CERTIFICATIONS

For Calearo, continuous improvement is a recurrent activity aimed to increase performance.

The path of defining objectives and identifying opportunities of improvement is a continuous process that apply the results and conclusions of the audit, data analysis, management review and other dedicated means. It generally involves corrective or preventive actions.

Performance is a measurable result that can refer to something qualitative or quantitative, being management activities, processes, products, services, system or organization.

Continuous improvement is nothing more than the process of becoming a more effective organization, an incremental path made up of many small steps towards a better professional future.



**HQ
ITALY**
Isola Vicentina

TUNISIA
Zaghuan

SLOVAKIA
Samorin

CHINA
Ghangzou

CALEARO **IN THE WORLD**

Calearo Antenne defines itself as a “glocal” company, which operates in a globalized world, but draws energy from its roots deep in Italian ingenuity.

The choice that has always distinguished us is to be constantly in touch with our customers and their markets. For this reason, over the years, we strived to expand our commercial network all over the world.

To be present at the hotspots of global automotive manufacturing is a central point for us.

Technology evolves fast, and so do the increasingly peculiar demands of the market. Our factories in Italy, Slovakia, Tunisia and China allow us to respond efficiently and effectively to all the market's needs.



BROADCASTING 11

TELEMATICS 35

CRITICAL 43

BUILDINGS 55

SERVICE BOX 61

ADAPTERS & CABLES 69

ACCESSORIES & SPARE PARTS 77

AUDIO & VIDEO 83

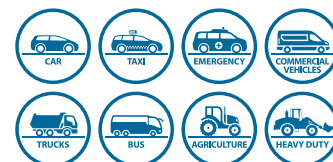
SHARK 3	12
SHARK 2	13
SHARK 2 CUSTOM	15
SHARK 1	17
16 V	18

FRONT ROOF	24
FLEXI	26
TELESCOPIC	28
INTERNAL MOUNTING	30
FOIL	33



RADOME COMPACT	36
SHARK 2	37
ON ROOF	38
MAGNETIC	38

LUNEX	39
INTERNAL	40
LOCATIONING	41



RADOME	44
EMERGENCY SERVICES	45
16 V	46

SHARK 2	49
RSA	50
QUAD	52



ARRAY	56
FIBERGLASS	57

COMPACT	58
MODEM	59



DAB & PLAY	62
SPLITTER	64

LOCATIONING	66
RADIO	67

ADAPTERS	70
EXTENSION CABLES	73

TABLE OF CONNECTORS	75
---------------------------	----

HOLE ADAPTERS	78
HOUSING FAKRA	78
ROD FOR SINGLE FUNCTION ANTENNAS ...	79

ROD FOR MULTIFUNCTIONAL ANTENNAS ...	80
ROD FOR CRITICAL ANTENNAS	81
ROD FOR GSM ANTENNAS	81

RADIO	84
SPEAKER	86
MONITOR	87
REAR VIEW CAMERA	88

EXTENSION CABLE & ADAPTERS FOR VIDEO SYSTEMS	90
MOUNTING ACCESSORIES	91
LEGEND OF ICONS	93



INDEX PER PART NUMBER	94
-----------------------------	----

BROADCASTING

SHARK 3	12
SHARK 2	13
SHARK 2 CUSTOM	15
SHARK 1	17
16 V	18
FRONT ROOF	24
FLEXI	26
TELESCOPIC	28
INTERNAL MOUNTING	30
FOIL	33

The high quality of Calearo antennas and cables allows to create a reception system able to optimize the sound inside the car by making the most of all its features. Fitted to a saloon or a micro car, or even a cabin of an agricultural vehicle, our antennas guarantee total functional efficiency, reliability, durability and top reception.



SHARK 3 NEW

ROOF ANTENNA

AVAILABLE VERSIONS

	AM / FM	DAB	GNSS	LTE
P/N: 7677520 - QUAD	•	•	•	•
P/N: 7677510 - TRIPLEX	•	•	•	
P/N: 7677500 - COMBI RADIO	•	•		

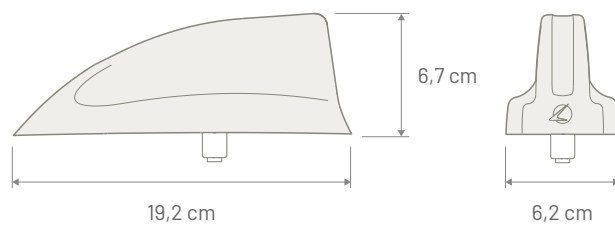
TECHNICAL SPECIFICATION

	AM / FM	DAB	GNSS	LTE
Connector	FAKRA Male White	FAKRA Male Black	FAKRA Male Blue	FAKRA Male Bordeaux
Cable Type	RG 174	RG 174	RG 174	RG 174
Cable Length	200 mm	300 mm	400 mm	250 mm
Power Supply	12 Volt Phantom	12 Volt Phantom	3 - 5 Volt Phantom	--
Consumption	63 mA	40 mA	31 mA	--
Impedance	FM: 50 Ω	50 Ω	50 Ω	50 Ω
Gain	--	6 dBi	28 dBi	Peak: 4 dBi Average: -4 dBi
VSWR	FM < 2:1	< 3:1	1.7:1	3:1
Max Power	--	--	--	4 Watt
Protection Class	IP69			
Coachwork drilling	Round: 17 mm			

Note



Dimensions



SHARK 2

ROOF ANTENNA

AVAILABLE VERSIONS

	AM / FM	DAB	GNSS
P/N: 7677810 - TRIPLEX	•	•	•
P/N: 7677815 - COMBI RADIO	•	•	
P/N: 7677820 - DAB		•	
P/N: 7677825 - DUPLEX	•		•
P/N: 7677830 - RADIO	•		

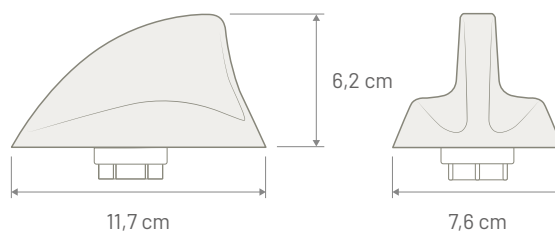
TECHNICAL SPECIFICATION

	AM / FM	DAB	GNSS
Connector	FAKRA Male White	FAKRA Male Black	FAKRA Male Blue
Cable Type	RG 174	RG 174	RG 174
Cable Length	250 mm	250 mm	250 mm
Power Supply	12 Volt Dedicated and Phantom	12 Volt Dedicated and Phantom	3 - 5 Volt Phantom
Consumption	50 mA max	50 mA max	31 mA
Impedance	50 Ω	50 Ω	50 Ω
Gain	--	2 dBi	28 dBi
VSWR	--	< 3:1	1.7:1
Protection Class	IP68		
Coachwork drilling	Square: 15 x 15 mm - Round: 19 mm		

Note



Dimensions



SHARK 2^{TV}

ROOF ANTENNA

AVAILABLE VERSIONS

	AM / FM	DTT	GNSS
P/N: 7727083 - TRIPLEX TV	•	•	•
P/N: 7727082 - COMBI TV	•	•	

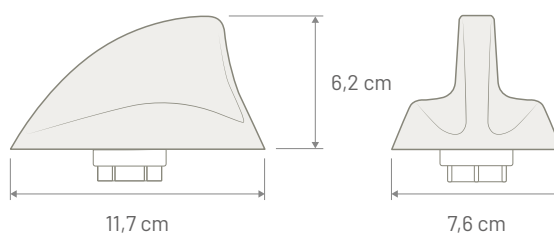
TECHNICAL SPECIFICATION

	AM / FM	DTT	GNSS
Connector	FAKRA Male White	FAKRA Male Green	FAKRA Male Blue
Cable Type	RG 174	RG 174	RG 174
Cable Length	250 mm	250 mm	250 mm
Power Supply	12 Volt Dedicated and Phantom	12 Volt Dedicated and Phantom	3 - 5 Volt Phantom
Consumption	50 mA max	40 mA max	45 mA max
Impedance	FM: 50 Ω	50 Ω	50 Ω
Gain	--	4 dBi	28 dBi
VSWR	--	< 4	2:1
Protection Class	IP68		
Coachwork drilling	Square: 15 x 15 mm - Round: 19 mm		

Note



Dimensions



SHARK 2 FCA

ROOF ANTENNA

AVAILABLE VERSIONS

	AM / FM	DAB	GNSS
P/N: 7677890 - TRIPLEX	•	•	•
P/N: 7677892 - COMBI RADIO	•	•	
P/N: 7677894 - RADIO	•		

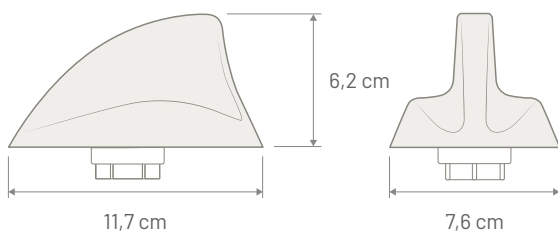
TECHNICAL SPECIFICATION

	AM / FM	DAB	GNSS
Connector	FAKRA Female White	FAKRA Female Grey	FAKRA Female Blue
Cable Type	RG 174	RG 174	RG 174
Cable Length	250 mm	200 mm	350 mm
Power Supply	12 Volt Dedicated and Phantom	12 Volt Dedicated and Phantom	3 - 5 Volt Phantom
Consumption	50 mA max	50 mA max	45 mA max
Impedance	50 Ω	50 Ω	50 Ω
Gain	--	2 dBi	28 dBi
VSWR	--	< 3:1	2:1
Protection Class	IP68		
Coachwork drilling	Square: 15 x 15 mm - Round: 19 mm		

Note



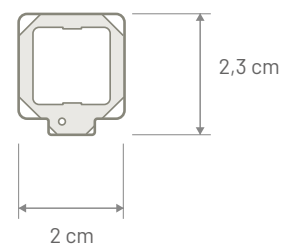
Dimensions



Mounting scheme



FCA hole



SHARK 2 NISSAN COMBI RADIO **NEW**

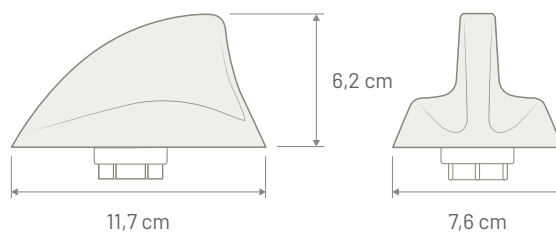
ROOF ANTENNA

P/N: 7677965	AM / FM	DAB
Connector	GT13 Female	FAKRA Male Brown
Cable Type	RG 174	RG 174
Cable Length	300 mm	250 mm
Power Supply	12V Dedicated and Phantom	12V Dedicated and Phantom
Consumption	50 mA max	50 mA max
Impedance	50 Ω	50 Ω
Gain	--	2 dBi
VSWR	--	< 3:1
Protection Class	IP68	
Coachwork drilling	Square: 15 x 15 mm - Round: 19 mm	

Note



Dimensions



SHARK 1 RADIO

ROOF ANTENNA

P/N: 7677805

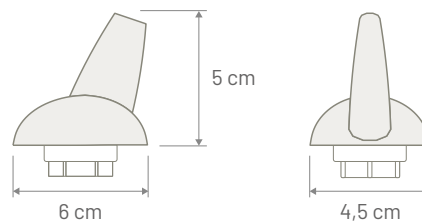
AM / FM

Connector	FAKRA Male White
Cable Type	RG 174
Cable Length	250 mm
Power Supply	12 Volt Dedicated and Phantom
Consumption	60 mA max
Impedance	50 Ω
Protection Class	IP68
Coachwork drilling	Square: 15 x 15 mm - Round: 19 mm

Note



Dimensions



TRIPLEX

REAR ROOF ANTENNA

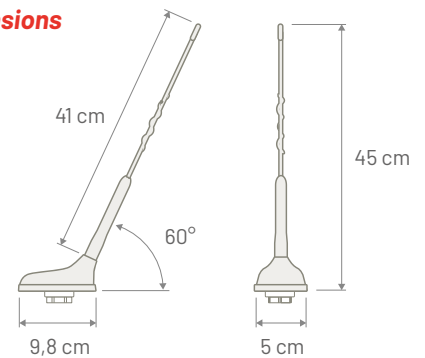
P/N: 7677840

	AM / FM	DAB	GNSS
Connector	FAKRA Male White	FAKRA Male Black	FAKRA Male Blue
Cable Type	RG 174	RG 174	RG 174
Cable Length	180 mm	200 mm	220 mm
Power Supply	12 Volt Dedicated	12 Volt Dedicated	3 - 5 Volt Phantom
Consumption	75 mA max	75 mA max	45 mA max
Impedance	50 Ω	50 Ω	50 Ω
Gain	--	12 dBi	32 dBi
VSWR	AM: < 5:1 / FM: < 8:1	< 5:1	2:1
Rod Length	410 mm	Base Angle	60 degree
Rod Thread	M6	Protection Class	IP67
Rod Type	Antinoise	Coachwork drilling	Square: 15 x 15 mm - Round: 19 mm

Note



Dimensions



TRIPLEX SHORT ROD

NEW

REAR ROOF ANTENNA

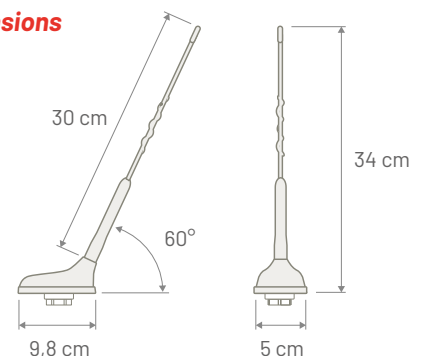
P/N: 7677845

	AM / FM	DAB	GNSS
Connector	FAKRA Male White	FAKRA Male Black	FAKRA Male Blue
Cable Type	RG 174	RG 174	RG 174
Cable Length	225 mm	260 mm	270 mm
Power Supply	12 Volt Dedicated	12 Volt Dedicated	3 - 5 V Phantom
Consumption	75 mA max	75 mA max	45 mA max
Impedance	50 Ω	50 Ω	50 Ω
Gain	--	0 dBi	30 dBi
VSWR	AM: 5:1 / FM: 7,5:1	3,5:1	1,5:1
Rod Length	300 mm	Base Angle	60 degree
Rod Thread	M6	Protection Class	IP67
Rod Type	Antinoise	Coachwork drilling	Square: 15 x 15 mm - Round: 19 mm

Note



Dimensions



COMBI RADIO

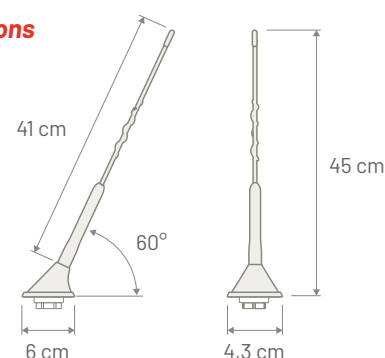
REAR ROOF ANTENNA

P/N: 7677850	AM / FM		DAB	
Connector	FAKRA Male White		FAKRA Male Black	
Cable Type	RG 174		RG 174	
Cable Length	180 mm		200 mm	
Power Supply	12 Volt Dedicated		12 Volt Dedicated	
Consumption	50 mA max		50 mA max	
Impedance	50 Ω		50 Ω	
Gain	--		12 dBi	
VSWR	AM: 5:1 / FM: 7,5:1		< 3:1	
Rod Length	410 mm	Base Angle	60 degree	
Rod Thread	M6	Protection Class	IP68	
Rod Type	Antinoise	Coachwork drilling	Square: 15 x 15 mm - Round: 19 mm	

Note



Dimensions



COMBI RADIO SHORT ROD

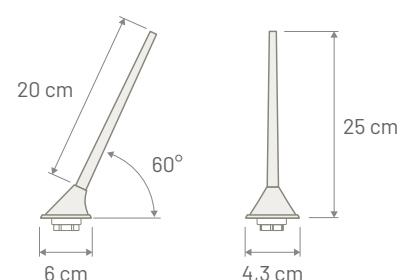
REAR ROOF ANTENNA

P/N: 7677855	AM / FM		DAB	
Connector	FAKRA Male White		FAKRA Male Black	
Cable Type	RG 174		RG 174	
Cable Length	180 mm		200 mm	
Power Supply	12 Volt Dedicated		12 Volt Dedicated	
Consumption	50 mA max		50 mA max	
Impedance	50 Ω		50 Ω	
Gain	--		0 dBi	
VSWR	AM: 5:1 / FM: 7,5:1		< 3:1	
Rod Length	200 mm	Base Angle	60 degree	
Rod Thread	M5	Protection Class	IP68	
Rod Type	Smooth	Coachwork drilling	Square: 15 x 15 mm - Round: 19 mm	

Note



Dimensions



DAB PASSIVE

REAR ROOF ANTENNA

P/N: 7677860

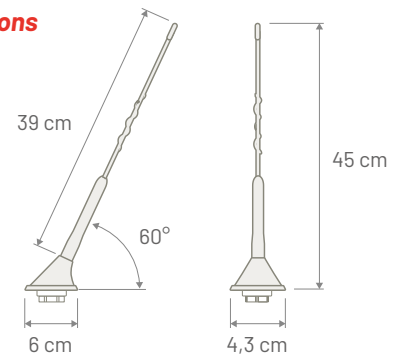
DAB

Connector	FAKRA Male Black		
Cable Type	RG 174		
Cable Length	100 mm		
Impedance	50 Ω		
Gain	2 dBi		
VSWR	< 3,5:1		
Rod Length	390 mm	Base Angle	60 degree
Rod Thread	M5	Protection Class	IP68
Rod Type	Antinoise	Coachwork drilling	Square: 15 x 15 mm - Round: 19 mm

Note



Dimensions



16V SHORT ROD DAB READY

REAR ROOF

P/N: 7677865

AM / FM

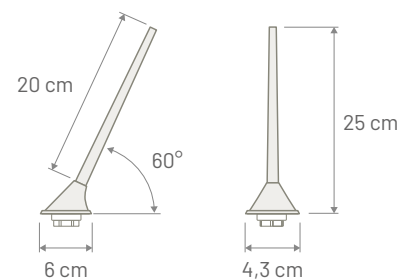
Connector	FAKRA Male White		
Cable Type	RG 174		
Cable Length	180 mm		
Impedance	FM: 50 Ω		
Gain	--		
VSWR	FM: < 3:1		
Rod Length	200 mm	Base Angle	60 degree
Rod Thread	M5	Protection Class	IP68
Rod Type	Smooth	Coachwork drilling	Square: 15 x 15 mm - Round: 19 mm

Note

To enable DAB reception an Active or Passive Splitter is needed (see SERVICE BOX chapter)



Dimensions



16V RADIO 60°

60° PASSIVE ANTENNA

AVAILABLE VERSIONS

	TYPE	POWER SUPPLY	ROD TYPE
P/N: 7677870 - RADIO	Passive	--	Smooth
P/N: 7677872 - RADIO	Active	12 V Phantom	Smooth
P/N: 7677874 - RADIO	Active	12 V Dedicated	Antinoise

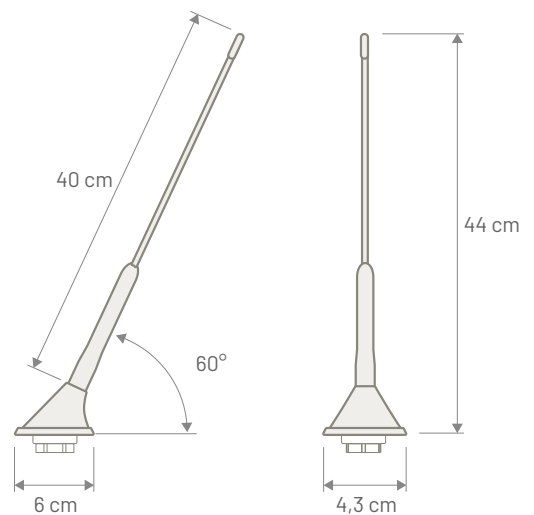
TECHNICAL SPECIFICATION

AM / FM	
Connector	FAKRA Male White
Cable Type	RG 174
Cable Length	180 mm
Consumption	60 mA max (only active antennas)
Impedance	--
Gain	--
VSWR	--
Rod Length	405 mm
Rod Thread	M5
Base Angle	60 degree
Protection Class	IP68
Coachwork drilling	Square: 15 x 15 mm - Round: 19 mm

Note



Dimensions



16V RADIO 60° ANTITHEFT

REAR ROOF

P/N: 7677876

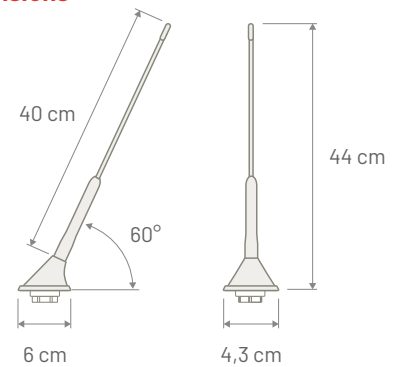
AM / FM

Connector	FAKRA Male White		
Cable Type	RG 174		
Cable Length	180 mm		
Power Supply	12 Volt Phantom		
Consumption	60 mA max		
Impedance	FM: 50 Ω		
Gain	--		
VSWR	FM: < 4,5:1		
Rod Length	405 mm	Protection Class	IP68
Base Angle	60 degree	Coachwork drilling	Square: 15 x 15 mm - Round: 19 mm

Note Rod Antitheft System is Patented by Calearo



Dimensions



16V RADIO 45°

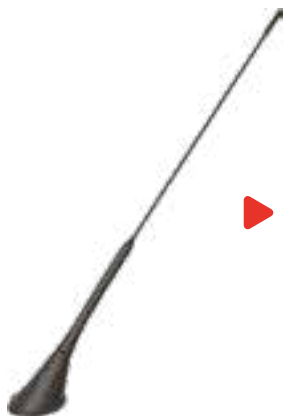
FRONT ROOF

P/N: 7677882

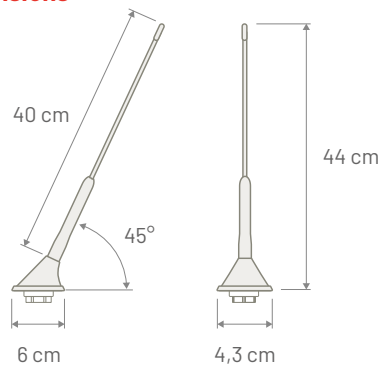
AM / FM

Connector	FAKRA Male White		
Cable Type	RG 174		
Cable Length	180 mm		
Impedance	--		
Gain	--		
Rod Length	405 mm	Base Angle	45 degree
Rod Thread	M5	Protection Class	IP68
Rod Type	Smooth	Coachwork drilling	Square: 15 x 15 mm - Round: 19 mm

Note



Dimensions



16V RADIO 76°

REAR ROOF

AVAILABLE VERSIONS

	TYPE	POWER SUPPLY	ROD TYPE
P/N: 7677878 - RADIO	Passive	--	Smooth
P/N: 7677880 - RADIO	Active	12V Dedicated	Smooth

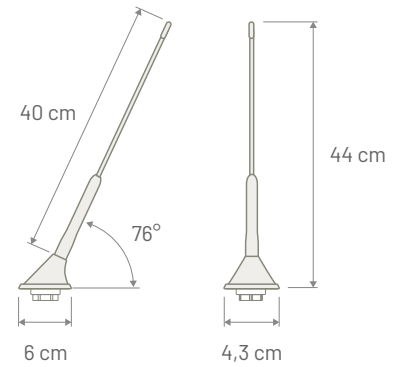
TECHNICAL SPECIFICATION

AM / FM	
Connector	FAKRA Male White
Cable Type	RG 174
Cable Length	180 mm
Consumption	60 mA max (only active antennas)
Impedance	--
Gain	--
VSWR	--
Rod Length	405 mm
Rod Thread	M5
Base Angle	76 degree
Protection Class	IP68
Coachwork drilling	Square: 15 x 15 mm - Round: 19 mm

Note



Dimensions



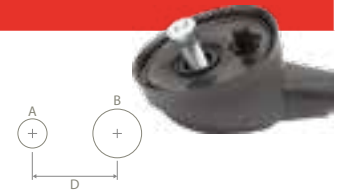
RADIO FORD

WITHOUT EXTENSION CABLE

P/N: 7657009

AM / FM

Impedance	--	Protection Class	IP68
Gain	--	Mounting	Customized for original hole
Rod Length	400 mm	Coachwork drilling	A: Ø 4,7 mm B: Ø 8 mm D: 14 mm
Rod Thread	M6	Note	Passive antenna



RADIO FIAT GROUP > 2001

WITHOUT EXTENSION CABLE

P/N: 7657015

AM / FM

Impedance	--	Protection Class	IP68
Gain	--	Mounting	Customized for original hole
Rod Length	400 mm	Coachwork drilling	A: M6
Rod Thread	M6	Note	Passive antenna



RADIO FIAT COMMERCIAL VEHICLES - PEUGEOT

WITHOUT EXTENSION CABLE

P/N: 7657019

AM / FM

Impedance	--	Protection Class	IP68
Gain	--	Mounting	Customized for original hole
Rod Length	400 mm	Coachwork drilling	A: M6
Rod Thread	M6	Note	Passive antenna



RADIO FIAT GROUP 2002 >

WITHOUT EXTENSION CABLE

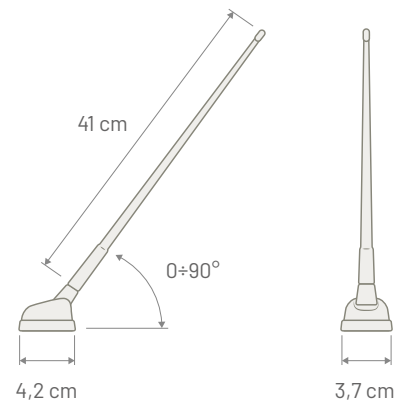
P/N: 7657021

AM / FM

Impedance	--	Protection Class	IP68
Gain	--	Mounting	Customized for original hole
Rod Length	400 mm	Coachwork drilling	A: Ø 10,2 mm
Rod Thread	M6	Note	Passive antenna



Dimensions



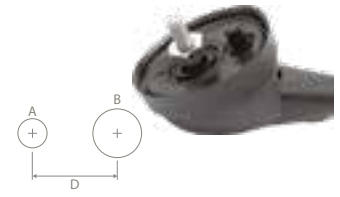
RADIO UNIVERSAL

WITH EXTENSION CABLE

P/N: 7657008

AM / FM

Connector	DIN Male	Rod Length	400 mm
Cable Type	AR 7	Rod Thread	M6
Cable Length	2450 mm	Protection Class	IP68
Impedance	130 Ω	Mounting	Universal
Gain	--	Coachwork drilling	A: Ø 4,7 mm B: Ø 8 mm D: 14 mm



Note Passive antenna

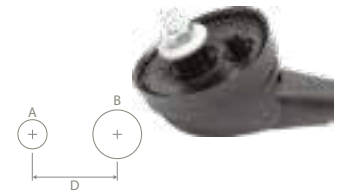
RADIO UNIVERSAL

WITH EXTENSION CABLE

P/N: 7657016

AM / FM

Connector	DIN Male	Rod Length	400 mm
Cable Type	AR 7	Rod Thread	M6
Cable Length	2450 mm	Protection Class	IP68
Impedance	130 Ω	Mounting	Universal
Gain	--	Coachwork drilling	A: Ø 4,7 mm B: Ø 10,2 mm D: 14 mm



Note Passive antenna

RADIO FIAT GROUP 2002 >

WITH EXTENSION CABLE

P/N: 7657020

AM / FM

Connector	DIN Male	Rod Length	400 mm
Cable Type	AR 7	Rod Thread	M6
Cable Length	2700 mm	Protection Class	IP68
Impedance	130 Ω	Mounting	Customized for original hole
Gain	--	Coachwork drilling	A: Ø 10,2 mm



Note Passive antenna

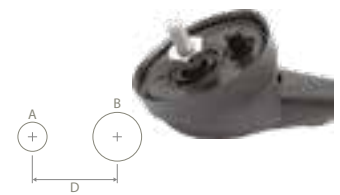
RADIO UNIVERSAL

WITH EXTENSION CABLE

P/N: 7651006

AM / FM

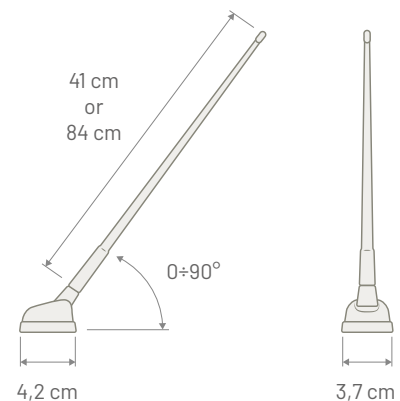
Connector	DIN Male	Rod Length	850 mm
Cable Type	AR 7	Rod Thread	M6
Cable Length	2450 mm	Protection Class	IP68
Impedance	130 Ω	Mounting	Universal
Gain	--	Coachwork drilling	A: Ø 4,7 mm B: Ø 8 mm D: 14 mm



Note Passive antenna



Dimensions



FLEXI TE BASE

ROOF / PILLAR

	CONNECTOR	CABLE TYPE	CABLE LENGTH
P/N: 7667010 - RADIO DAB READY	DIN Male	RG 58	2500 mm
P/N: 7667011 - RADIO DAB READY	DIN Male	RG 58	1500 mm

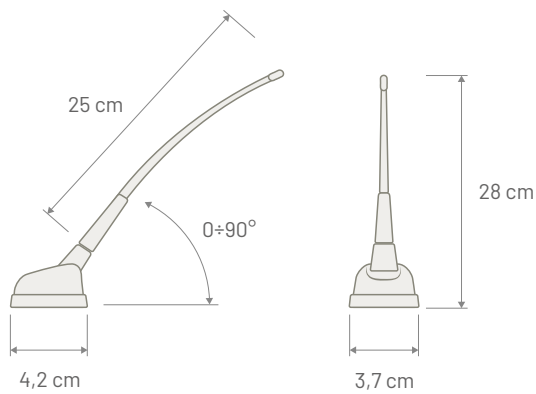
TECHNICAL SPECIFICATION

	AM / FM
Impedance	50 Ω
Gain	--
Rod Length	240 mm
Rod Thread	M6
Rod Type	Rubber - High flessnessibility - Heavy duty
Protection Class	IP68
Coachwork drilling	A: Ø 4,7 mm B: Ø 8 mm D: 14 mm

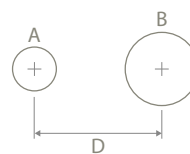
Note To enable DAB reception an Active or Passive Splitter is needed (see SERVICE BOX chapter)



Dimensions



Coachwork Drilling



FLEXI SPHERIC BASE

ROOF / PILLAR

	CONNECTOR	CABLE TYPE	CABLE LENGTH
P/N: 7667012 - RADIO DAB READY	DIN Male	RG 58	2500 mm
P/N: 7667013 - RADIO DAB READY	DIN Male	RG 58	1500 mm

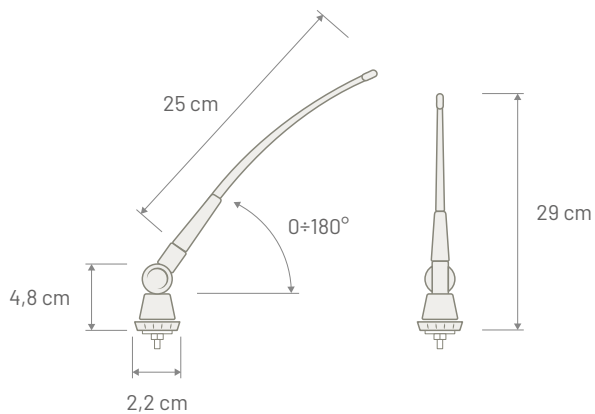
TECHNICAL SPECIFICATION

	AM / FM
Impedance	50 Ω
Gain	--
Rod Length	240 mm
Rod Thread	M6
Rod Type	Rubber - High flessnessibility - Heavy duty
Protection Class	IP68
Coachwork drilling	Round 9 mm

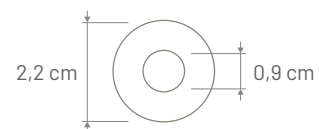
Note To enable DAB reception an Active or Passive Splitter is needed (see SERVICE BOX chapter)



Dimensions



Coachwork Drilling



RADIO PILLAR

TELESCOPIC ANTENNA

P/N: 7627008

AM / FM

Connector	DIN Male
Cable Type	COAXIAL
Cable Length	1500 mm
Impedance	130 Ω
Rod Length	Min: 445 mm - Max: 1240 mm
Rod Type	3 elements INOX telescopic rod
Mounting	Pillar
Coachwork drilling	Round 10 mm

Note



Dimensions



RADIO FENDER

TELESCOPIC ANTENNA

P/N: 7677153

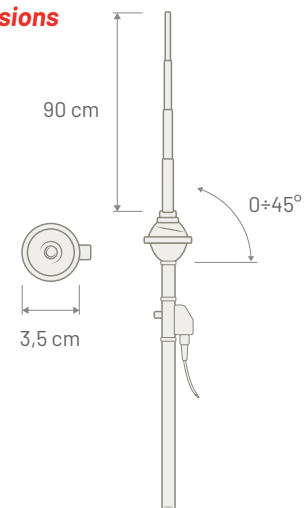
AM / FM

Connector	DIN Male
Cable Type	COAXIAL
Cable Length	1500 mm
Impedance	130 Ω
Rod Length	85 cm
Rod Type	4 elements INOX telescopic rod
Rod Angle	Max 45 degree from vertical position
Mounting	Fender
Coachwork drilling	Round 17 mm

Note



Dimensions



TELESCOPE ELECTRIC ANTENNA NEW

MOTORIZED PILLAR ANTENNA

P/N: 7677154 - MOTORIZED

P/N: 7677155 - MOTORIZED

COLOR TELESCOPIC ROD

INOX

BLACK

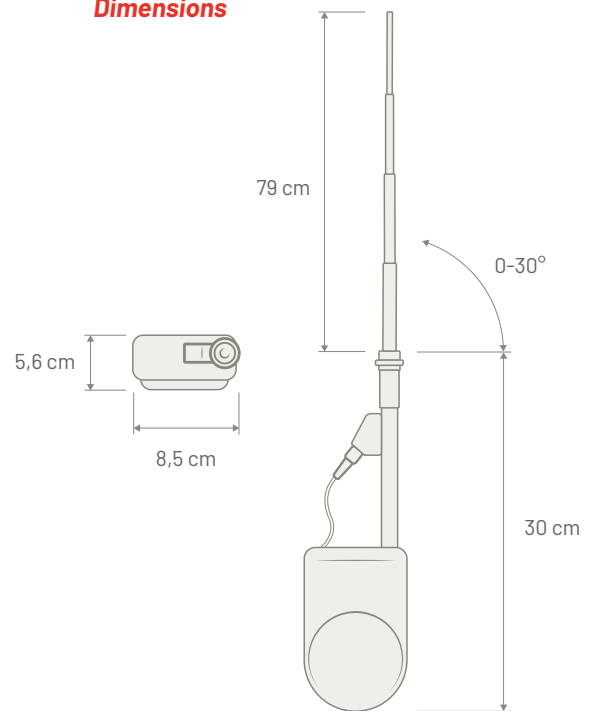
TECHNICAL SPECIFICATION

AM / FM

Connector	DIN Male
Cable Type	3C-2V
Cable Length	1400 mm
Power Supply	12 Volt Dedicated
Consumption	36 watt max
Impedance	50 Ω
Rod Length	790 mm
Rod Type	5 elements stainless steel telescopic rod
Rod Angle	Max 30 degree from vertical position
Coachwork drilling	Round 14,5 mm

Note

Dimensions



NEW LIGHT RADIO SERIES NEW

INTERNAL ON-GLASS ANTENNA

AVAILABLE VERSIONS

	AM / FM	DAB
P/N: 7677925 - COMBI RADIO	•	•
P/N: 7677926 - RADIO	•	
P/N: 7677929 - DAB EVOLUTION		•

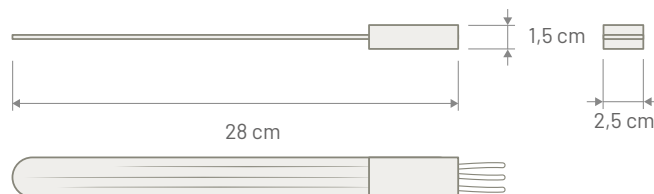
TECHNICAL SPECIFICATION

	AM / FM	DAB
Connector	FAKRA Male White	FAKRA Male Black
Cable Type	RG 174	RG 174
Cable Length	150 mm	150 mm
Power Supply	12 Volt Phantom	12 Volt Phantom
Consumption	90 mA max	90 mA max
Impedance	50 Ω	50 Ω
Gain	--	8 dBi
VSWR	FM: < 3:1	< 2:1
Protection Class	IP41	
Mounting	Internal adhesive on-glass	

Note Amplifier must be powered from both AM / FM and DAB connector



Dimensions



LIGHT DAB

INTERNAL ON-GLASS ANTENNA

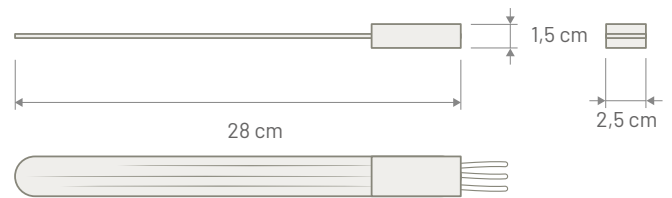
P/N: 7677938

DAB

Connector	FAKRA Female Black
Cable Type	RG 174
Cable Length	3000 mm
Power Supply	12 Volt Phantom
Consumption	35 mA max
Impedance	--
Gain	4 dBi
VSWR	--
Protection Class	IP34
Mounting	Adhesive internal on glass

Note FAKRA Male Waterblue (Universal code) > SMB Female 90° adapter cable included in the package

Dimensions



LIGHT TV

INTERNAL ON-GLASS ANTENNA

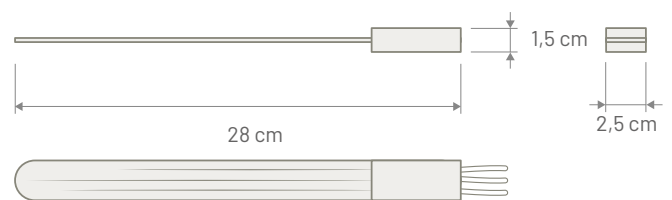
P/N: 7137122

DTV

Connector	MINI JACK Male 3,5 Mm
Cable Type	RX 174
Cable Length	3000 mm
Power Supply	12 Volt Dedicated
Consumption	35 mA max
Impedance	75 Ω
Gain	6 dBi
Protection Class	IP34
Mounting	Adhesive internal on glass

Note

Dimensions



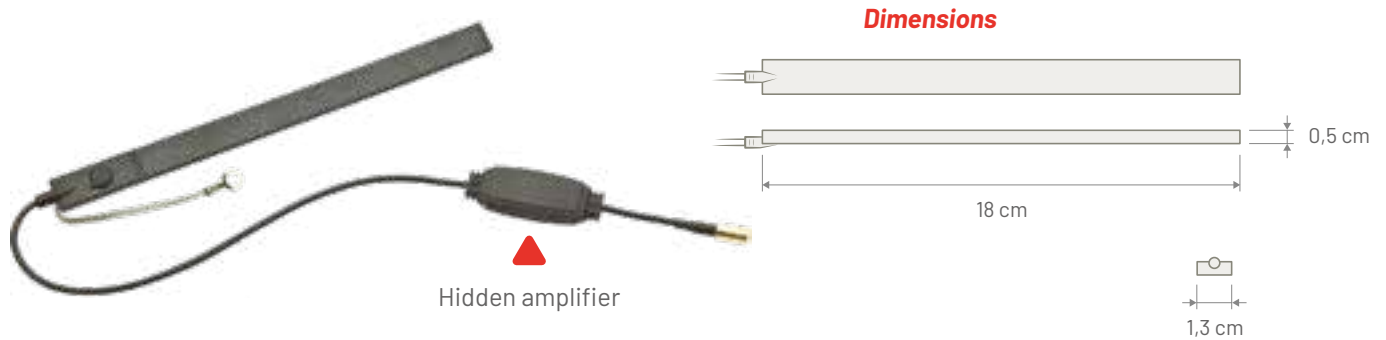
RUBBER DAB

INTERNAL ON-GLASS ANTENNA

P/N: 7137134

DAB	
Connector	SMB Female 90°
Cable Type	RG 174
Cable Length	3500 mm
Power Supply	12 volt Phantom
Consumption	35 mA max
Impedance	50 Ω
Gain	6 dBi
VSWR	1.8 typical
Mounting	Adhesive internal on glass

Note



WHISKER AM / FM

INTERNAL ON-GLASS ANTENNA

AVAILABLE VERSIONS

P/N: 7697015 - WHISKER DIN

P/N: 7697018 - WHISKER FAKRA

CONNECTOR	CABLE LENGTH	POWER SUPPLY
DIN Male	2400 mm	12 volt Dedicated
FAKRA Female White	2400 mm	12 volt Phantom

TECHNICAL SPECIFICATION

AM / FM	
Consumption	40 mA max
Impedance	75 Ω
Gain	--
VSWR	< 3,0:1
Mounting	Adhesive internal on glass

Note AM and FM double amplification



FOIL COMBI RADIO NEW

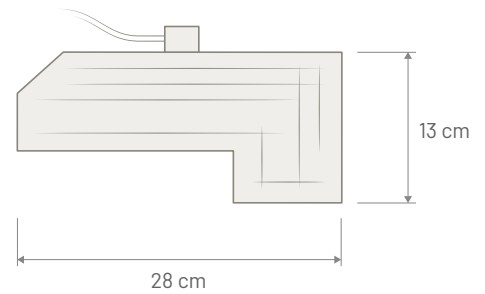
BUMPER, PLASTIC AND FIBERGLASS SURFACE MOUNTING

P/N: 7677955	AM / FM	DAB
Connector	FAKRA Male White	FAKRA Male Brown
Cable Type	--	--
Cable Length	--	--
Power Supply	12 Volt Phantom	12 Volt Phantom
Consumption	60 mA max	60 mA max
Impedance	50 Ω	50 Ω
Gain	--	8 dBi
VSWR	FM: 2,1 : 1	1,7 : 1
Protection Class	Amplifier IP67	
Mounting	Antenna: internal adhesive; Amplifier: screw fastening	

Note Amplifier must be powered from both AM / FM and DAB connector



Dimensions



FOIL DAB

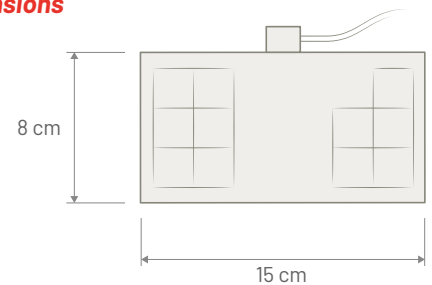
BUMPER, PLASTIC AND FIBERGLASS SURFACE MOUNTING

P/N: 7677951	DAB
Connector	FAKRA Male Brown
Power Supply	12 volt Phantom
Consumption	60 mA max
Impedance	50 Ω
Gain	10 dBi
VSWR	< 2:1
Protection Class	IP67
Mounting	Foil: adhesive internal on bumper and other plastic and fiberglass parts Amplifier: screw to the metallic part

Note



Dimensions



TELEMATICS

RADOME COMPACT	36
SHARK 2	37
ON ROOF	38
MAGNETIC	38
LUNEX	39
INTERNAL	40
LOCATIONING	41

Calearo continuously strive to offering a wide range of antennas able to optimize mobile communication, localitoning and data transmission in order to guarantee the best performance for any personal, commercial, emergencies and duty application.



AVAILABLE VERSIONS

	GSM - UMTS - LTE	WIFI - BT	WIFI DUALBAND - BT	GNSS
P/N: 7770057 - COMLOC	•	•		•
P/N: 7770058 - COMLOC MIMO 3x	3x		•	•
P/N: 7770059 - COMLOC MIMO 2x2	2x	2x		•

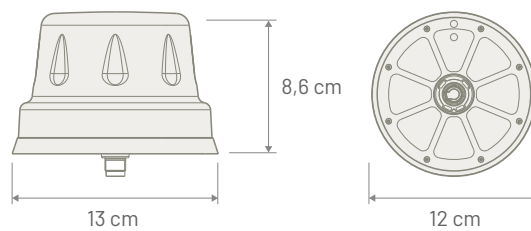
TECHNICAL SPECIFICATION

	GSM - UMTS - LTE	WIFI - BT	WIFI DUALBAND - BT	GNSS
Connector	FAKRA Male Bordeaux	FAKRA Male Violet	FAKRA Male Violet	FAKRA Male Blue
Cable Type	RG 174	RG 174	RG 174	RG 174
Cable Length	190 mm	190 mm	190 mm	190 mm
Power Supply	--	--	--	3 - 5 V
Consumption	--	--	--	15 - 45 mA
Impedance	50 Ω	50 Ω	50 Ω	50 Ω
Gain	Peak: 4 dBi Average: -4 dBi	Peak: 3 dBi Average: -2 dBi	Peak: 4 dBi Average: -1 dBi	28 dBi
VSWR	2,5:1	1,8:1	1,8:1	1,5:1
Max Power	4 Watt	4 Watt	4 Watt	--
Protection Class	IP69			
Mounting	On roof			
Coachwork drilling	Square: 15 x 15 mm - Round: 19 mm			

Note



Dimensions



SHARK 2

ROOF ANTENNA

AVAILABLE VERSIONS

P/N: 7727098 - SHARK 2 COMLOC

P/N: 7727099 - SHARK 2 COMLOC WIFI

	GSM - UMTS - LTE	WIFI DUAL BAND	GNSS
P/N: 7727098 - SHARK 2 COMLOC	•		•
P/N: 7727099 - SHARK 2 COMLOC WIFI	•	•	•

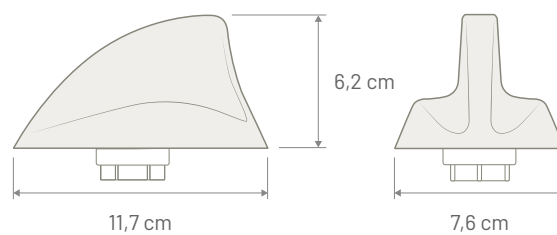
TECHNICAL SPECIFICATION

	GSM - UMTS - LTE	WIFI DUAL BAND	GNSS
Connector	FAKRA Male Bordeaux	FAKRA Male Violet	FAKRA Male Blue
Cable Type	RG 174	RG 174	RG 174
Cable Length	290 mm	120 mm	290 mm
Power Supply	--	--	3 - 5 Volt Phantom
Consumption	--	--	45 mA max
Impedance	50 Ω	50 Ω	50 Ω
Gain	LTE: Peak 4 dBi Average: -4 dBi	Peak: 4 dBi Average: -1 dBi	30 dB
VSWR	LTE: 2.5:1	2:1	2:1
Max Power	4 W	4 W	--
Protection Class	IP67		
Mounting	On roof mounting		
Coachwork drilling	Square: 15 x 15 mm - Round: 19 mm		

Note



Dimensions



LAMBDA QUARTER

ROOF ANTENNA

AVAILABLE VERSIONS

	CONNECTOR	CABLE LENGHT	CABLE TYPE
P/N: 7681052 - LAMBDA QUARTER	FME Female - FME Female	5000 mm	RG 58
P/N: 8610028 - LAMBDA QUARTER BRACKET	FME Female - SMA Male	5000 mm	LOW LOSS

TECHNICAL SPECIFICATION

AMPS - GSM - DCS - UMTS

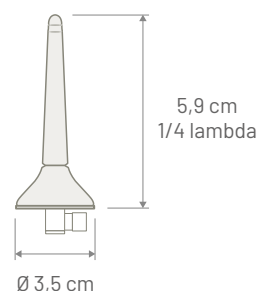
Connector	FME Male	Max Power	8 Watt
Impedance	50 Ω	Protection Class	IP64
Gain	2,15 dBi	Mounting	On roof
VSWR	TX ≤ 2:1 - RX ≤ 2,5:1	Coachwork drilling	Round: 14 mm

Note

P/N 8610028: supplied with a special bracket for on wall/on mast mounting



Dimensions



Magnetic

MAGNETIC EVOLUTION^{LTE}

ROOF ANTENNA

AVAILABLE VERSIONS

	CONNECTOR	CABLE LENGHT	CABLE TYPE
P/N: 8610146 - MAG EVO 4G	N Male	3000 mm	RG 174
P/N: 8610147 - MAG EVO 4G NEW	SMA Male	3000 mm	RG 174
P/N: 8610148 - MAG EVO 4G NEW	FME Female	3000 mm	RG 174

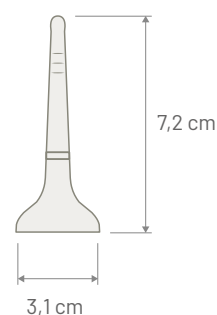
TECHNICAL SPECIFICATION

	ISM - LTE - GSM	DCS - PCS - UMTS	LTE - WIFI - BLUETOOTH
Frequency	698 ÷ 960 MHz	1710 ÷ 2170 MHz	2500 - 2700 MHz
Impedance	50 Ω		50 Ω
Gain	1.0 dBi	2.4 dBi	2.1 dBi
VSWR	~ 1.9:1	~ 1.5:1	~ 1.3:1
Max Power	50 Watt	50 Watt	50 Watt
Protection Class	IP68		
Coachwork drilling	Magnetic mount		

Note



Dimensions

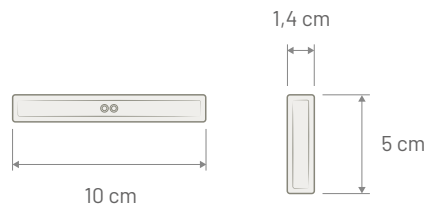


P/N: 7731010	GSM - UMTS - LTE	GNSS
Connector	FAKRA Male Bordeaux	FAKRA Male Blue
Cable Type	RG 174	RG 174
Cable Length	210 mm	210 mm
Power Supply	--	3 - 5 Volt Phantom
Consumption	--	19 - 36 mA
Impedance	50 Ω	50 Ω
Gain	- 5 dBi	29 dBi
VSWR	GSM: 3.5:1 - UMTS: 2:1 - LTE: 2.5:1	2:1
Protection Class	IP41	
Mounting	Internal adhesive mounting	

Note



Dimensions



RUBBER^{LTE}

INTERNAL ANTENNA

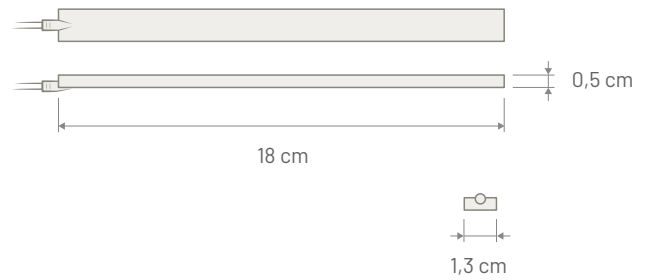
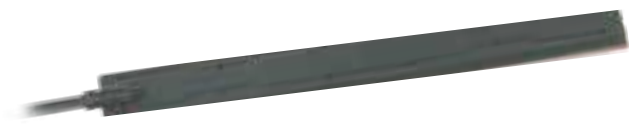
P/N: 7681080

GSM - UMTS - LTE

Connector	FAKRA Male Bordeaux
Cable Type	RG 174
Cable Length	110 mm
Impedance	50 Ω
Gain	-4 dBi
VSWR	3,2:1
Protection Class	IP67
Mounting	Internal adhesive mounting

Note

Dimensions



RUBBER^{LTE HP} NEW

INTERNAL ANTENNA

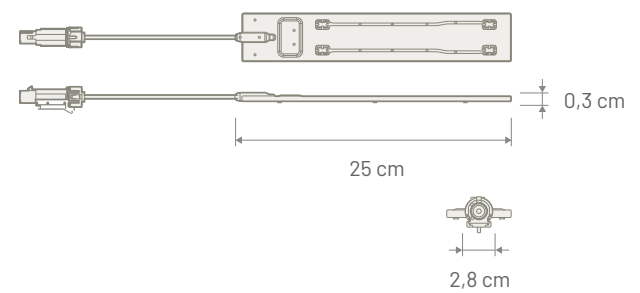
P/N: 7681095

GSM - UMTS - LTE

Connector	FAKRA Male Bordeaux Waterproof
Cable Type	RG 174
Cable Length	110 mm
Power Supply	--
Consumption	--
Impedance	50 Ω
Gain	-3 dBi
VSWR	3,2:1
Protection Class	IP67
Mounting	Internal adhesive mounting

Note

Dimensions



NAVI SMALL

INTERNAL ANTENNA

AVAILABLE VERSIONS

	CONNECTOR	CABLE LENGHT	CABLE TYPE
P/N: 7750004 - NAVI SMALL	SMB Female	3500 mm	RG 174
P/N: 7750006 - NAVI SMALL	FAKRA Female Blue	3500 mm	RG 174

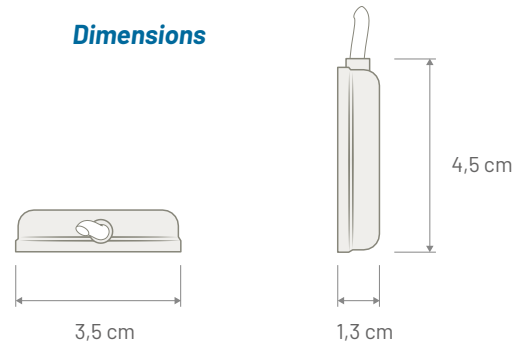
TECHNICAL SPECIFICATION

GNSS	
Power Supply	3 - 5 Volt Phantom
Consumption	22 mA max
Impedance	50 Ω
Gain	≥ 22 dBi
VSWR	< 2.1
Protection Class	IP52
Mounting	Internal adhesive mounting

Note



Dimensions



NAVI

UNIVERSAL ANTENNA

AVAILABLE VERSIONS

	CONNECTOR	CABLE LENGHT	CABLE TYPE
P/N: 7757001 - NAVI NEW	SMB Female	3500 mm	RG 174
P/N: 7757006 - NAVI NEW	FAKRA Female Blue	3500 mm	RG174

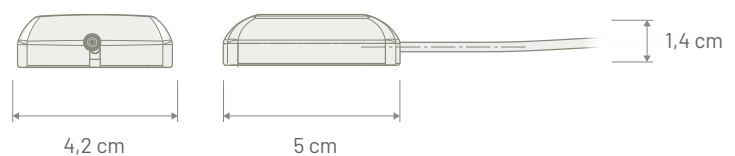
TECHNICAL SPECIFICATION

GNSS	
Power Supply	3 - 5 Volt Phantom
Consumption	45 mA max
Impedance	50 Ω
Gain	28 dB
VSWR	1,5:1
Protection Class	IP69k
Mounting	Internal and external - Magnetic and adhesive mounting

Note



Dimensions



CRITICAL

RADOME	44
EMERGENCY SERVICES	45
16 V	46
SHARK 2	49
RSA	50
QUAD	52

Calearo keep an extensive focus on special frequencies used by radio taxi operators, professional communications, police and emergency services. Antennas are available with single and multifunction guarantee functional efficiency and simple installation as well as full integration into the vehicle.



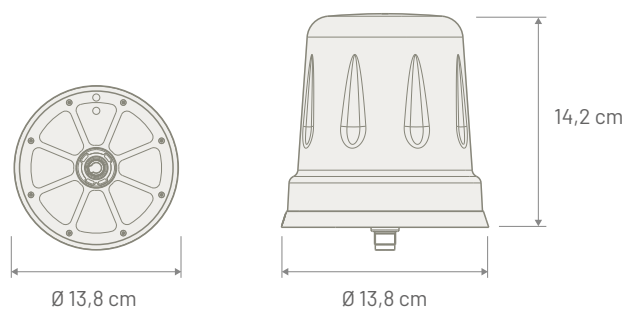
AVAILABLE VERSIONS

	GSM/UMTS/LTE	WIFI/BT	TETRA	UHF	GNSS
P/N: 7771050 - QUAD	•	•	•		•
P/N: 7771060 - TRIPLEX		•	•		•
P/N: 7771070 - DUPLEX UHF				•	•
P/N: 7771080 - DUPLEX TETRA			•		•
Connector	FAKRA Male Bordeaux	FAKRA Male Violet	FAKRA Male Green	FAKRA Male Green	FAKRA Male Blu
Cable Type	RG 174	RG 174	RG 174	RG 174	RG 174
Cable Length	250 mm	250 mm	250 mm	250 mm	220 mm
Power Supply	--	--	--	--	3 - 5 Volt Phantom
Consumption	--	--	--	--	45 mA max
Impedance	50 Ω	50 Ω	50 Ω	50 Ω	50 Ω
Gain	Peak: 4 dBi Average: -4 dBi	Peak: 4 dBi Average: -1 dBi	0 dBi	0 dBi	32 dBi
VSWR	2,5:1	1,8:1	2:1	2:1	2:1
Max Power	4 Watt	4 Watt	20 Watt	20 Watt	--
Protection Class	IP69				
Mounting	On roof				
Coachwork drilling	Square: 15 x 15 mm - Round: 19 mm				

Note



Dimensions



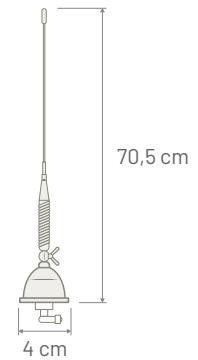
ES TUNABLE NEW

TUNABLE ANTENNA FOR EMERGENCY FREQUENCIES

P/N: 7771010		VHF / UHF / TETRA	
Connector	Not mounted		
Cable Type	RG 58		
Cable Length	5000 mm		
Impedance	50 Ω		
Gain	2 dBi		
VSWR	< 1,5:1		
Max Power	100 Watt		
Rod Length	655 mm	Mounting	On roof / Pillar / Fender
Rod Type	Stainless Steel	Coachwork drilling	Round: 19 mm
Note	Omnidirectional 1/4 lambda type - Tunable rod		



Dimensions

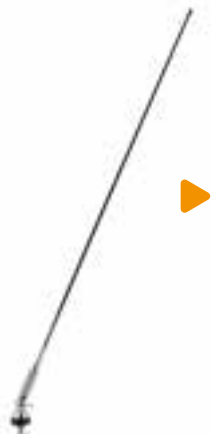


ES 70/80 MHz

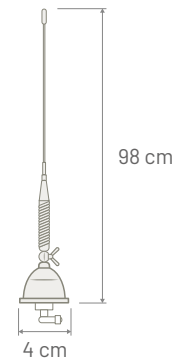
ROOF ANTENNA

P/N: 7640006		70/80 MHz	
Connector	TNC F		
Cable Type	Without extension cable*		
Impedance	50 Ohm		
Gain	2 dBi		
VSWR	< 1.5:1		
Max Power	100 Watt		
Rod Length	950 mm	Mounting	On roof / Pillar / Fender
Rod Type	Fiberglass	Coachwork drilling	Round: 19 mm

Note * P/N 7583040: optional extension cable (type: RG 58 - Length: 5000 mm - Connectors: TNC Male 90°)
Extension cable with different length or connectors available on request



Dimensions



AVAILABLE VERSIONS

	VHF	UHF	GSM/DCS	GNSS
P/N: 7771004 - TRIPLEX UHF		•	•	•
P/N: 7771005 - TRIPLEX VHF	•		•	•

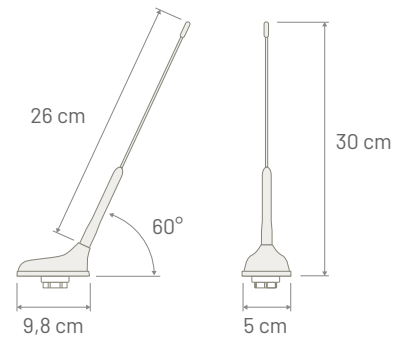
TECHNICAL SPECIFICATION

	VHF	UHF	GSM/DCS	GNSS
Antenna connector	FAKRA Male Green	FAKRA Male Green	FAKRA Male Bordeaux	FAKRA Male Blue
Antenna cable type	RG 174	RG 174	RG 174	RG 174
Antenna cable length	200 mm	200 mm	200 mm	220 mm
Extension cable type	RG 58	RG 58	RG 58	RG 174
Extension cable length	5000 mm	5000 mm	5000 mm	5000 mm
Extension cable connectors	FAKRA Female Green - FME Female	FAKRA Female Green - FME Female	FAKRA Female Bordeaux - FME Female	FAKRA Female Blue - SMB Female
Power supply	--	--	--	3 - 5 Volt
Consumption	--	--	--	45 mA max
Impedance	50 Ω	50 Ω	50 Ω	50 Ω
Gain	0 dBi	-1 dBi	Peak: 3 dBi / Average: -3 dBi	30 dBi
VSWR	1.5:1	2:1	3:1	1,5:1
Max Power	20 Watt	10 Watt	4 Watt	--
Rod Combined Function	VHF/GSM/DCS	UHF/GSM/DCS	--	--
Rod Length	380 mm	260 mm	--	--
Rod Type	Antinoise	Smooth	--	--
Rod Thread	M6		Mounting	On roof
Base Angle	60 degree		Coachwork drilling	Square: 15 x 15 mm - Round: 19 mm
Protection Class	IP64		Note	

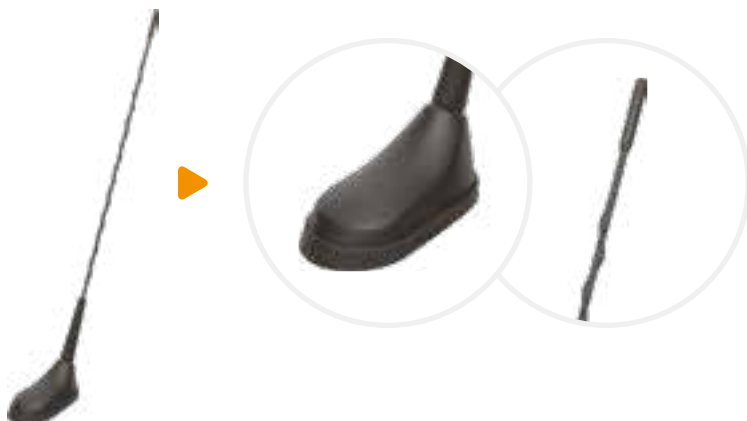
P/N 7771004 - Triplex UHF



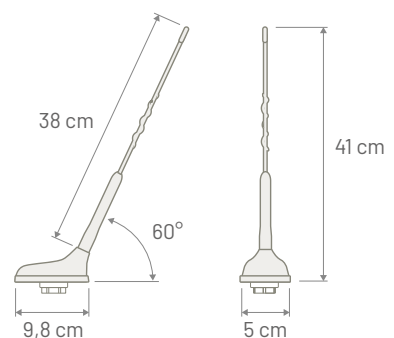
Dimensions



P/N 7771005 - Triplex VHF



Dimensions



16V COMBI

ROOF ANTENNA

AVAILABLE VERSIONS

P/N: 7771000 - COMBI VHF

P/N: 7771001 - COMBI UHF

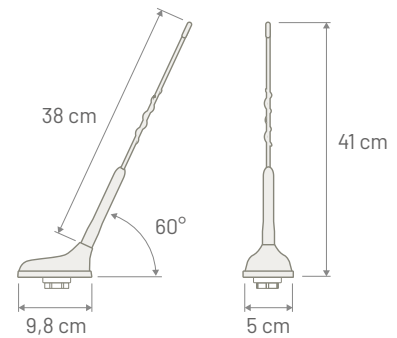
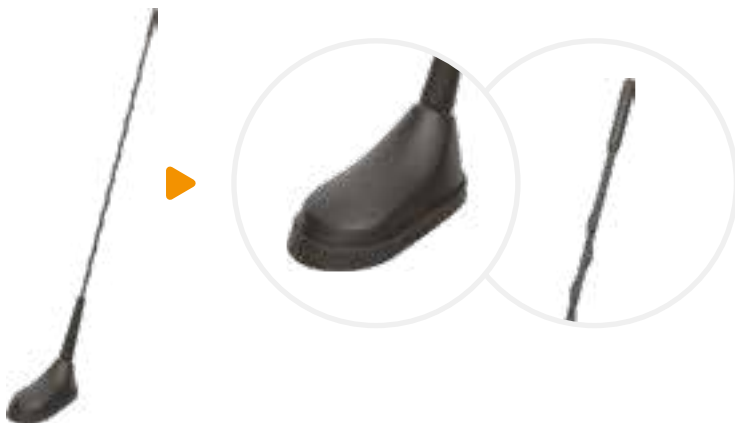
VHF	UHF	GNSS
•		•
	•	•

TECHNICAL SPECIFICATION

	VHF	UHF	GNSS
Antenna connector	FAKRA Male Green	FAKRA Male Green	FAKRA Male Blue
Antenna cable type	RG 174	RG 174	RG 174
Antenna cable lenght	250 mm	200 mm	250 mm
Extension cable type	RG 58	RG 58	RG 174
Extension cable lenght	5000 mm	5000 mm	5000 mm
Extension cable connectors	FAKRA Female Green - FME Female	FAKRA Female Green - FME Female	FAKRA Female Blue - SMB Female
Power supply	--	--	3 - 5 Volt
Consumption	--	--	45 mA max
Impedance	50 Ω	50 Ω	50 Ω
Gain	-1 dBi	0 dBi	30 dBi
VSWR	1,5:1	2,1:1	1,5:1
Max Power	20 Watt	20 Watt	--
Rod Lenght	380 mm	265 mm	--
Rod Type	Antinoise	Smooth	--
Rod Thread	M6	Mounting	On roof
Base Angle	60 degree	Coachwork drilling	Square: 15 x 15 mm - Round: 19 mm
Protection Class	IP64	Note	

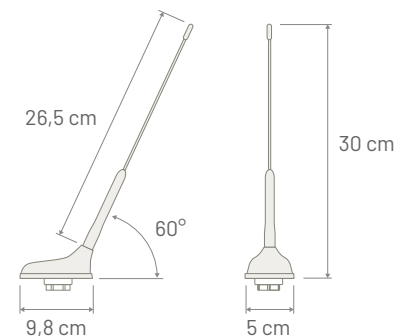
P/N 7771000 - Combi VHF

Dimensions



P/N 7771001 - Combi UHF

Dimensions



AVAILABLE VERSIONS

P/N: 7771002 - VHF

P/N: 7771003 - UHF

VHF	UHF
•	
	•

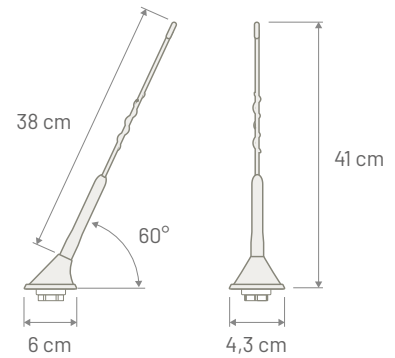
TECHNICAL SPECIFICATION

	VHF	UHF	
Antenna connector	FAKRA Male Green	FAKRA Male Green	
Antenna cable type	RG 174	RG 174	
Antenna cable lenght	200 mm	200 mm	
Extension cable type	RG 58	RG 58	
Extension cable lenght	5000 mm	5000 mm	
Extension cable connectors	FAKRA Female Green - FME Female	FAKRA Female Green - FME Female	
Impedance	50 Ω	50 Ω	
Gain	-1 dBi	0 dBi	
VSWR	1,5:1	2.1:1	
Max Power	20 Watt	20 Watt	
Rod Lenght	380 mm	260 mm	
Rod Type	Antinoise	Smooth	
Rod Thread	M6	Mounting	On roof
Base Angle	60 degree	Coachwork drilling	Square: 15 x 15 mm - Round: 19 mm
Protection Class	IP64	Note	

P/N 7771002 - VHF



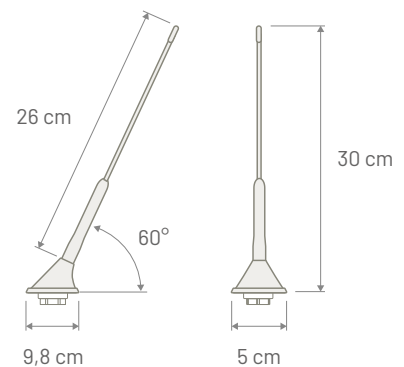
Dimensions



P/N 7771003 - UHF



Dimensions



TRIPLEX *SHORT*

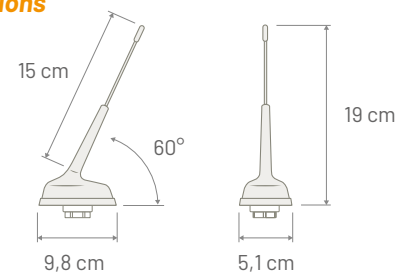
ROOF ANTENNA

P/N: 7771040	TETRA	WIFI / BLUETOOTH	GNSS
Connector	FAKRA Male Green	FAKRA Male Violet	FAKRA Male Blue
Cable Type	RG 174	RG 174	RG 174
Cable Length	200 mm	200 mm	250 mm
Power Supply	--	--	3 - 5 Volt Phantom
Consumption	--	--	45 mA max
Impedance	50 Ω	50 Ω	50 Ω
Gain	1 dBi	0 dBi	30 dBi
VSWR	2:1	2:1	1,5:1
Max power	20 Watt	4 Watt	--
Rod Length	150 mm	Base Angle	60 degree
Rod Type	Smooth	Protection Class	IP69K
Rod Thread	M5	Mounting	Square: 15 x 15 mm - Round: 19 mm

Note



Dimensions



Shark 2

SHARK 2 *TETRA*

NEW

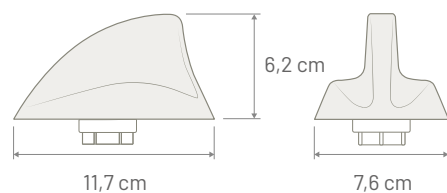
REAR ROOF ANTENNA

P/N: 7771015	TETRA
Connector	FAKRA Male Green
Cable Type	RG 174
Cable Length	250 mm
Impedance	50 Ω
Gain	-8 dBi
VSWR	2:1 @ 380 - 400 MHz - 2.5:1 @ 400 - 410 MHz
Max Power	10 Watt
Protection Class	IP68
Mounting	On roof mounting
Coachwork drilling	Square: 15 x 15 mm - Round: 19 mm

Note



Dimensions



RSA QUAD

ROOF ANTENNA

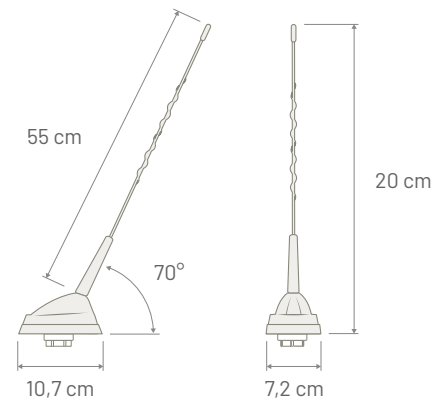
P/N: 7771020

	TETRA	70/80 MHz	AM/FM	GNSS
Connector (Base antenna)	FAKRA Male Green	--	--	FAKRA Male BLUE
Cable Type (Base antenna)	RG 174	--	--	RG 174
Cable Length (Base antenna)	200 mm	--	--	220 mm
Connector (Multiplexer)	IN: TNC Female OUT: BNC FEMale	BNC Female	BNC Female	--
Power supply	--	--	Multiplexer: 12 Volt Phantom	3 - 5 Volt Phantom
Consumption	--	--	Multiplexer: 35 mA max	45 mA max
Impedance	50Ω	50Ω	AM: High Impedance - FM: 50 Ω	50 Ω
Gain	0 dBi	-5 dBi	FM: -10 dBi	28 dBi
VSWR	2:1	2,5:1	--	1,7:1
Max Power	10 Watt	15 Watt	--	--
Rod Length	550 mm	Protection Class	Antenna: IP69K - Multiplexer: IP42	
Rod Type	Antinoise	Mounting	Antenna: on roof - Multiplexer: inside the vehicle	
Rod Thread	M5	Coachwork drilling	Square: 15x15 mm - Round: 19 mm	
Base Angle	70 degree			

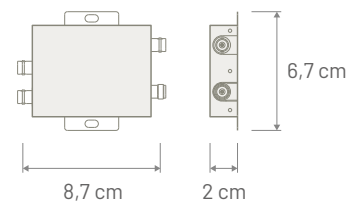
Note

Extension cable included on the package to connect TETRA output on the antenna base to the Multiplexer
Connectors: FAKRA Female Green and TNC Male - Type: RG 58 - Length: 3000 mm

Dimensions



Dimensions



RSA TRIPLEX

REAR ROOF ANTENNA

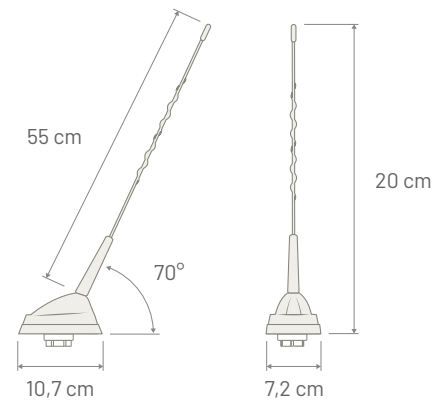
P/N: 7771025

	TETRA	AM/FM	GNSS
Connector (Base antenna)	FAKRA Male Green	--	FAKRA Male Blue
Cable Type (Base antenna)	RG 174	--	RG 174
Cable Length (Base antenna)	200 mm	--	220 mm
Connector (Diplexer)	IN: FAKRA Male Black OUT: FAKRA Male Green	FAKRA Male White	--
Power supply	--	Diplexer: 12 Volt Dedicated	3 - 5 Volt Phantom
Consumption	--	Diplexer: 35 mA max	45 mA max
Impedance	50 Ω	AM: High Impedance - FM: 50 Ω	50 Ω
Gain	0 dBi	FM: -10 dBi	32 dBi
VSWR	2:1	--	2:1
Max Power	10 Watt	--	--
Rod Length	550 mm	Protection Class	Antenna: IP69K - Diplexer: IP42
Rod Type	Antinoise	Mounting	Antenna: on roof - Multiplexer: inside the vehicle
Rod Thread	M5	Coachwork drilling	Square: 15x15 mm - Round: 19 mm
Base Angle	70 degree		

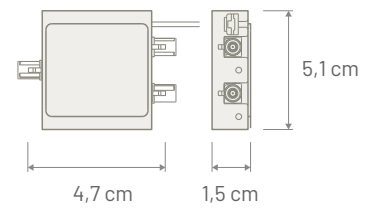
Note

Adapter cable included on the package to connect TETRA output on the antenna base to the Diplexer
Connectors: FAKRA Female Green and FAKRA Female Black - Type: RG 174 - Length: 150 mm

Dimensions



Dimensions



MIB QUAD

ROOF ANTENNA

P/N: 7771030

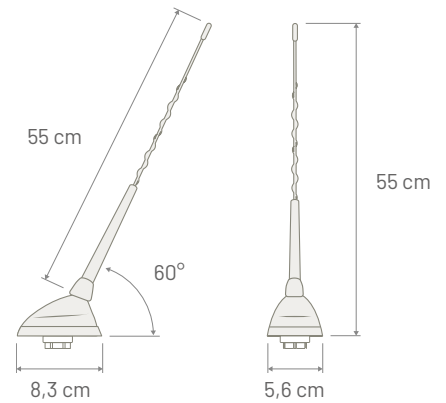
	TETRA	70/80 MHz	AM/FM	GNSS
Connector (Base antenna)	FAKRA Male Green	--	--	FAKRA Male Blue
Connector (Multiplexer)	IN: TNC Female OUT: BNC Female	BNC Female	BNC Female	--
Power supply	--	--	Multiplexer: 12 Volt Phantom	4.5 - 5.5 Volt Phantom
Consumption	--	--	Multiplexer: 35 mA max	20mA max
Impedance	50 Ω	50 Ω	AM: High Impedance - FM: 50 Ω	50 Ω
Gain	0 dBi	-5 dBi	FM: -10 dBi	32 dBi
VSWR	2:1	2,5:1	--	2:1
Max Power	10 Watt	15 Watt	--	--
Rod Length	545 mm			
Rod Type	Antinoise			
Rod Thread	M5			
Base Angle	60 degree			
Protection Class	Antenna : IP69K - Multiplexer: IP42			
Mounting	Antenna: on roof - Multiplexer: inside the vehicle			
Coachwork drilling	Square: 31,6 x 33,6 mm (VW Group MIB on roof hole)			

Note

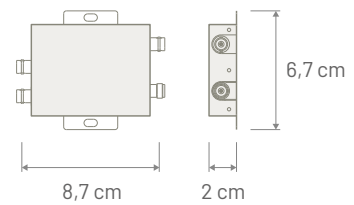
Extension cable included on the package to connect TETRA output on the antenna base to the Multiplexer
Connectors: FAKRA Female Green and TNC Male - Type: RG 58 - Length: 3000 mm



Dimensions



Dimensions



BUILDINGS

ARRAY	56
FIBERGLASS	57
COMPACT	58
MODEM	59

Calearo offers a range of highly professional antennas with WI-FI, GSM, UMTS, LTE and Bluetooth bands for professional application like base station, industrial automation, remote control and M2M communications.



ARRAY FULL ^{LTE}

OMNIDIRECTIONAL ANTENNA

AVAILABLE VERSIONS

	CONNECTOR	CABLE LENGTH	CABLE TYPE
P/N: 8610138	SMA Male	5000 mm	Low Loss
P/N: 8610139	FME Female	5000 mm	Low Loss
P/N: 8610141	SMA Male	10000 mm	Low Loss
P/N: 8610142	SMA Male	12000 mm	Low Loss

TECHNICAL SPECIFICATION

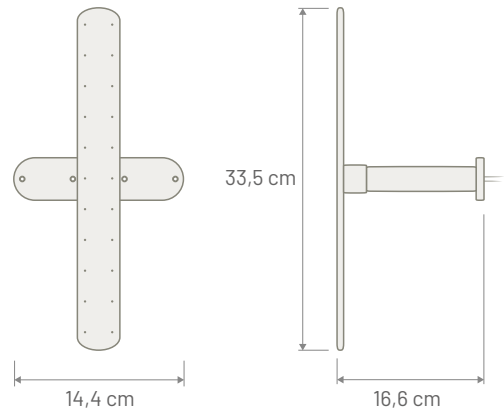
	GSM - LTE	DCS	UMTS	WIFI - LTE
Frequency	790 ÷ 960 MHz	1710 ÷ 1880 MHz	1920 ÷ 2170 MHz	2400 ÷ 2700 MHz
Impedance	50 Ohm	50 Ohm	50 Ohm	50 Ohm
Gain	5 dBi	5 dBi	6 dBi	5 dBi
VSWR	< 2.5	< 2.0	< 2.0	< 2.0
Max Power	20 Watt	10 Watt	10 Watt	6 Watt

Protection Class IP54

Mounting On mast with special bracket (included) / On wall with two screws (not included)

Note The special bracket is compatible with mast diameter between 25 to 42 mm

Dimensions



FIBERGLASS FULL ^{LTE}

OMNIDIRECTIONAL ANTENNA

AVAILABLE VERSIONS

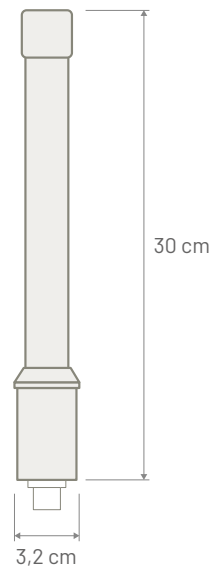
	CONNECTOR	CABLE LENGHT	CABLE TYPE
P/N: 8610155	N Female	without extension cable	without extension cable
P/N: 8610156	SMA Male	5000 mm	Low Loss

TECHNICAL SPECIFICATION

	LTE - ISM - GSM	DCS - PCN - DECT - UMTS - WIFI
Frequency	790 ÷ 960 MHz	1710 ÷ 2700 MHz
Impedance	50 Ohm	50 Ohm
Gain	2 dBi	4 dBi
VSWR	< 2.2	< 2.2
Max Power	25 Watt	25 Watt
Protection Class	IP54	
Mounting	On mast / On wall with special steel bracket (included)	

Note The special bracket is compatible with mast diameter between 35 to 42 mm

Dimensions



Mounting scheme



COMPACT FULL^{LTE}

DIRECTIONAL ANTENNA

AVAILABLE VERSIONS

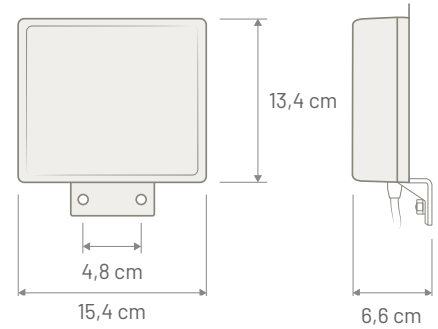
	CONNECTOR	CABLE LENGTH	CABLE TYPE
P/N: 8610144	SMA Male	5000 mm	Low Loss
P/N: 8610145	FME Female	5000 mm	Low Loss

TECHNICAL SPECIFICATION

	LTE - GSM	DCS	UMTS	LTE - WIFI
Frequency	790 ÷ 960 MHz	1710 ÷ 1880 MHz	1920 ÷ 2170 MHz	2300 - 2700 MHz
Impedance	50 Ohm	50 Ohm	50 Ohm	50 Ohm
Gain	6,5 dBi ± 0,5 dBi	9 dBi	9 dBi	8,5 dBi ± 0,5 dBi
VSWR	< 2.0	< 2.0	< 2.0	< 2.0
Max Power	30 Watt	15 Watt	10 Watt	10 Watt
Protection Class	IP54			
Mounting	On mast / On wall			

Note

Dimensions



MONOPOLE EVOLUTION TRIBAND

OMNIDIRECTIONAL ANTENNA

AVAILABLE VERSIONS

	CONNECTOR
P/N: 8610103	SMA Male 90°
P/N: 8610118	FME Female

TECHNICAL SPECIFICATION

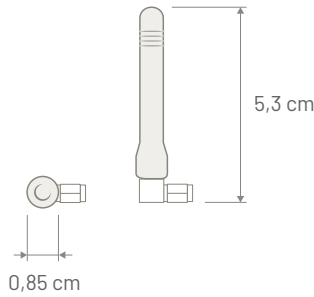
	GSM - DCS/UMTS - WIFI/BLUETOOTH
Impedance	50 Ohm
Gain	2.2 dBi
VSWR	< 2:1
Max Power	2.5 Watt

Mounting Directly to the modem antenna connector or the extension cable

Note

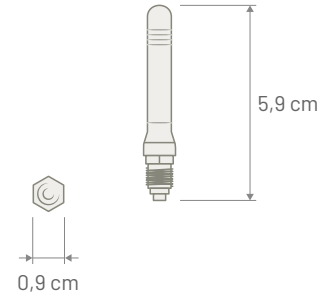
P/N 8610103

Dimensions



P/N 8610118

Dimensions



MONOPOLE DUAL BAND

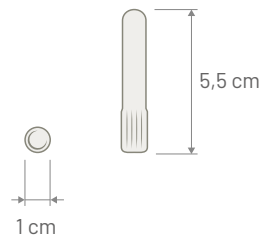
OMNIDIRECTIONAL ANTENNA

P/N: 8610010	GSM / DCS
Connector type	SMA Male
Impedance	50 Ohm
Gain	2.15 dBi
VSWR	≤ 2:1
Max Power	4 watt

Mounting Directly to the modem antenna connector or the extension cable

Note

Dimensions



SERVICE BOX

DAB & PLAY	62
SPLITTER	64
LOCATIONING	66
RADIO	67

The Service Box range allow to manage the antenna signals for split, amplified or recover some specific functions. They works with Calearo antennas and with some OEM antennas.

AVAILABLE VERSIONS

	MAIN APPLICATION
P/N: 7590007 - AMPLIFIER	Seat Leon (5F) - Skoda Fabia (NJ) and Octavia (5E) - Volkswagen Golf 6, Golf 7, Tiguan (5N) and Touran (5T)
P/N: 7590009 - AMPLIFIER	Volkswagen Passat (B7) and Passat (B8)

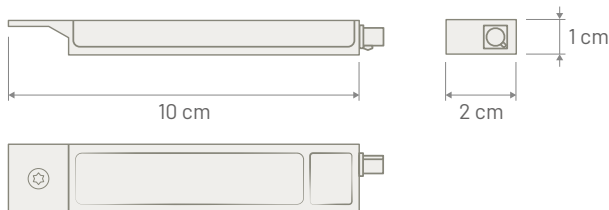
TECHNICAL SPECIFICATION

	FM / DAB
Short description	Replace the original FM amplifier to add DAB antenna prepared on the original rear or side glass
Connector	DOUBLE FAKRA Male Black
Extension Cable Connectors	DOUBLE FAKRA Female Black and SMB Female
Extension Cable Type	RG 174
Extension Cable Length	6500 mm
Power Supply	8,5 ÷ 12 Volt Phantom
Consumption	50 mA max
Impedance	50 Ohm
Gain	FM: 6 dB / DAB: 19 dB
VSWR	< 2:1
Protection Class	IP52
Mounting	Replace the original amplifier

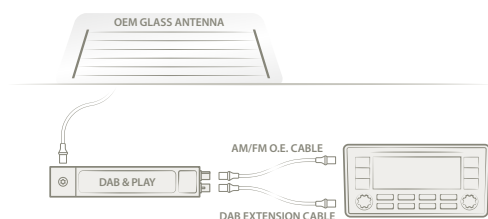
Note DAB&PLAY amplifier work in selected Volkswagen, Seat and Skoda vehicles with prepared DAB antenna into the original glass



Dimensions



Mounting scheme



DAB & PLAY PASSIVE

BY-PASS

AVAILABLE VERSIONS

MAIN APPLICATION

P/N: 7590008 - PASSIVE BY-PASS

Volkswagen, Seat and Skoda vehicles with prepared on glass original DAB antenna
 Note: the by-pass must be completed with Active Splitter P/N 7561004 and adapters cables sold separately

P/N: 7590013 - PASSIVE BY-PASS KIT

Volkswagen Golf 6 and 7
 Note: by-pass is complete with the Active Splitter P/N 7561004 and a special cables kit for Volkswagen head unit

TECHNICAL SPECIFICATION

FM / DAB

Short description	Replace the original FM amplifier to add DAB antenna prepared on the original rear or side glass
Connector	FAKRA Male Waterblue
Impedance	50 Ohm
Protection Class	IP52
Mounting	Replace the original amplifier

Note

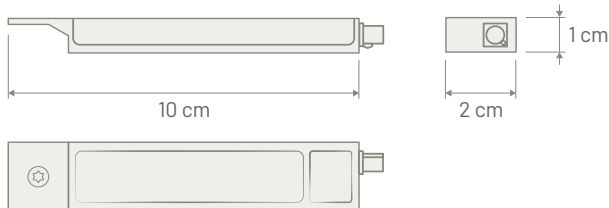
The P/N 7590008 is suitable only for a head unit with hybrid tuner (FM and DAB with only one antenna connector), or combined with Active Splitter and cables kit

The P/N 7590013 is suitable for any application with original VW head unit or aftermarket head unit with Fakra connectors

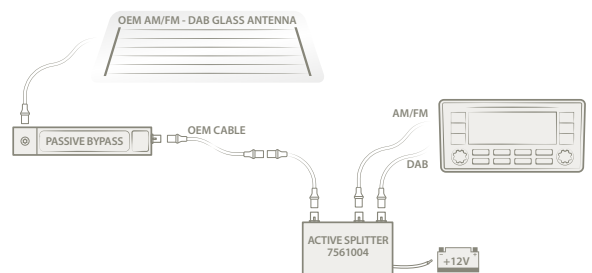
DAB&PLAY passive by-pass work only in Volkswagen vehicle with prepared DAB antenna into the original glass. Contact your car dealer to check if glass is prepared



Dimensions



Mounting scheme



ACTIVE SPLITTER AM / FM / DAB

SPLITTER

AVAILABLE VERSIONS

ADAPTER CABLES	
P/N: 7561004 - ACTIVE SPLITTER	Without adapter cables into the package
P/N: 7562030 - ACTIVE SPLITTER KIT DIN	Antenna IN: DIN Female / AM/FM OUT: DIN Male / DAB OUT: SMB Female 90° / Length: 500 mm
P/N: 7132087 - ACTIVE SPLITTER KIT DIN/ISO	Antenna IN: ISO Female / AM/FM OUT: DIN Male / DAB OUT: SMB Female 90° / Length: 500 mm

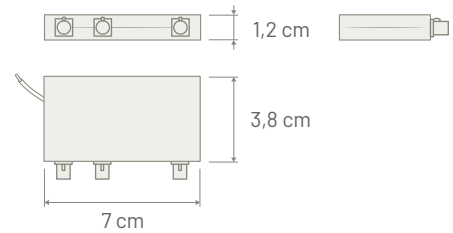
TECHNICAL SPECIFICATION

AM / FM / DAB	
Short description	AM/FM/DAM Splitter allow to recover the DAB signals from an AM/FM passive antenna ready for digital radio
Active Splitter Connectors	FAKRA Male Waterblue for IN and OUT
Power Supply	12 Volt dedicated
Consumption	110 mA
Impedance	50 Ohm
Gain	AM: 25 dB / FM: 12 dB / DAB: 20 dB
VSWR	FM: 3 : 1 / DAB: 2.5 : 1
Protection Class	IP40
Mounting	Internal of the vehicle with double-sided tape or plastic ties

Note The AM/FM/DAB Active Splitter work only with AM/FM passive antennas prepared to receive the DAB signals
The AM/FM/DAB Active Splitter is not suitable for active antenna systems



Dimensions



CABLE FOR ACTIVE AND PASSIVE SPLITTER AM / FM / DAB

AVAILABLE VERSIONS

	SPLITTER CONNECTOR SIDE	CABLE TYPE	CABLE LENGTH	ANTENNA / TUNER CONNECTOR SIDE
P/N: 7132078	FAKRA Female Waterblue	RG 174	500 mm	ISO Female
P/N: 7132079	FAKRA Female Waterblue	RG 58	500 mm	DIN Male
P/N: 7132080	FAKRA Female Waterblue	RG 174	500 mm	ISO Male
P/N: 7132081	FAKRA Female Waterblue	RG 174	500 mm	FAKRA Male Waterblue

Note Adapter cables could be used for any other applications

PASSIVE SPLITTER AM / FM / DAB NEW

SPLITTER

AVAILABLE VERSIONS

ADAPTER CABLES

P/N: 7561006 - PASSIVE SPLITTER

P/N: 7561007 - PASSIVE SPLITTER KIT DIN

P/N: 7561008 - PASSIVE SPLITTER KIT DIN/ISO

Without adapter cables into the package

Antenna IN: DIN Female / AM/FM OUT : DIN Male / DAB: SMB Female 90°

Antenna IN: ISO Female / AM/FM OUT : DIN Male / DAB: SMB Female 90°

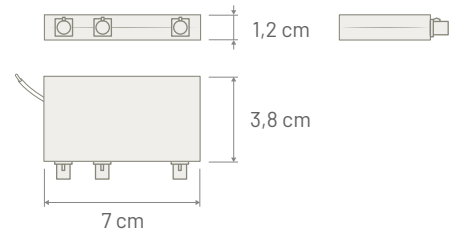
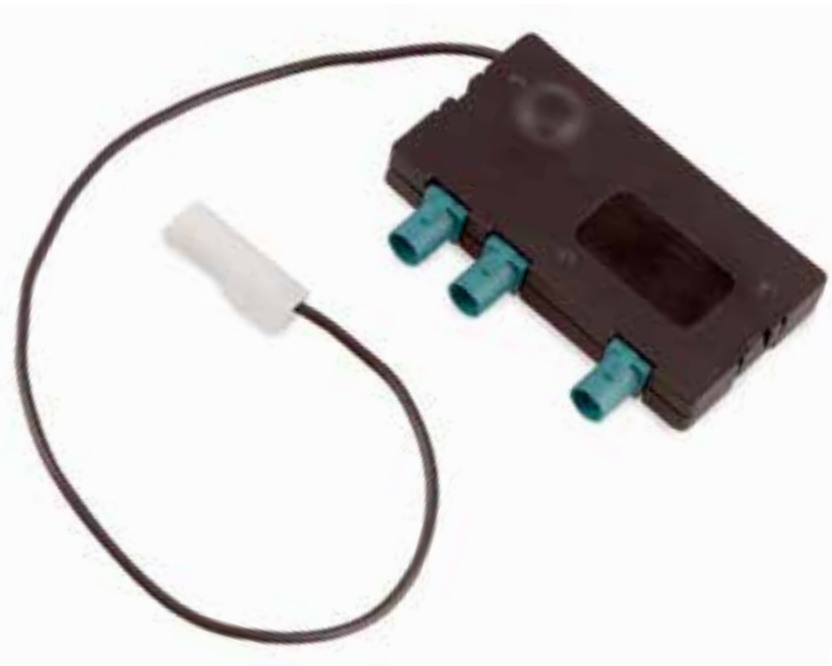
TECHNICAL SPECIFICATION

AM / FM / DAB

Short description	AM/FM/DAM Passive Splitter allow to recover the DAB signals from an AM/FM active or passive antenna ready for digital radio
Active Splitter Connectors	FAKRA Male Waterblue for IN and OUT
Power Supply	--
Consumption	--
Impedance	50 Ohm
Gain	-2 dB
VSWR	FM: 2 : 1 / DAB: 2 : 1
Protection Class	IP40
Mounting	Internal of the vehicle with adhesive tape or plastic cable tie

Note The AM/FM/DAB Passive Splitter work only with AM/FM active or passive antennas ready to receive the DAB signals
The AM/FM/DAB Passive Splitter is suitable for active antenna with 12 Volt phantom supply

Dimensions



AVAILABLE VERSIONS

	SPLITTER CONNECTOR SIDE	CABLE TYPE	CABLE LENGHT	ANTENNA / TUNER CONNECTOR SIDE
P/N: 7132082	FAKRA Female Waterblue	RG 174	500 mm	SMB Female 90°
P/N: 7132083	FAKRA Female Waterblue	RG 174	500 mm	SMA Male
P/N: 7132084	FAKRA Female Waterblue	RG 174	500 mm	FAKRA Female Waterblue
P/N: 7132085	FAKRA Female Waterblue	RG 58	500 mm	DIN Female

Note Adapter cables could be used for any other applications

GNSS SPLITTER

SPLITTER

MAIN APPLICATION

P/N: 7562019

GNSS Splitter allow to connect two different devices to a same GNSS antenna

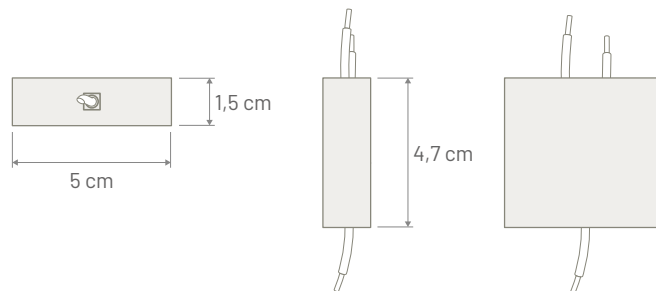
TECHNICAL SPECIFICATION

GNSS Antenna side : Connector	FAKRA Male Blue
GNSS Antenna side : Cable Lenght	150 mm
GNSS Antenna side : Cable Type	RG 174
Device side : Connector	FAKRA Female Blue
Device side : Cable Lenght	480 mm
Device side : Cable Type	RG 174
Power Supply	3 - 5 Volt Phantom
Consumption	45 mA max
Impedance	50 Ω
Gain	-4,5 dB
VSWR	2:1
Protection Class	IP 42
Mounting	Internal / Adhesive

Note



Dimensions



DIVERSITY ADAPTER

ADAPTER

MAIN APPLICATION

P/N: 7562016

Volkswagen Group vehicles without diversity system

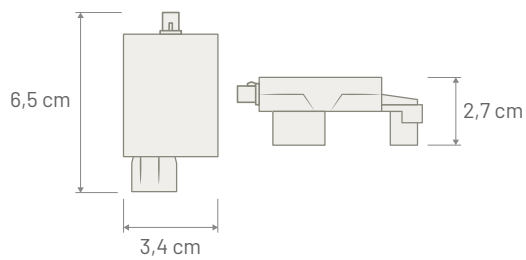
TECHNICAL SPECIFICATION

Short description	Radio Diversity adapter allow to install an original VW radio with diversity system in a vehicle with standard antenna
Connector Original Antenna Side	FAKRA Male White
Connector VW Radio Side	DOUBLE FAKRA Female White
Power Supply	12 Volt phantom
Consumption	15 mA max
Gain	0 dB
Mounting	Rear of original VW radio - adhesive mounting

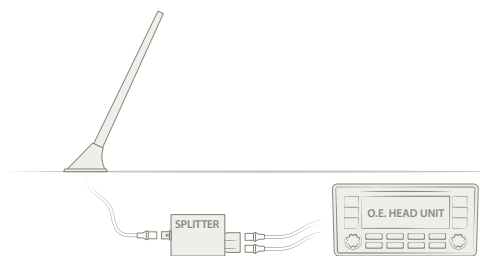
Note



Dimensions



Mounting scheme



ADAPTERS & CABLES

ADAPTERS	70
EXTENSION CABLES	73
TABLE OF CONNECTORS	75

AM/FM ADAPTER CABLES**FOR CALEARO ANTENNAS**

	ANTENNA SIDE	CABLE TYPE	CABLE LENGHT	ORIGINAL CABLE SIDE	COMPATIBILITY
P/N: 7581160	FAKRA Female White	RG58	150 mm	BPN Male	Audi > 1994 / Opel > 2001
P/N: 7581161	FAKRA Female White	RG58	150 mm	ROKA Male	Audi 1994 <> 2001 Volvo V40 > 2004 / Mini > 2005
P/N: 7581162	FAKRA Female White	RG174	1200 mm	FAKRA Female White / Waterblue	FCA 2010 > / PSA 2010 > FORD > 2019
P/N: 7581163	FAKRA Female White	75 Ohm	1170 mm	HC 97 Female (RAKU 2 Female)	Renault > 2009 / PSA > 2009
P/N: 7581164	FAKRA Female Waterblue	RG174	1200 mm	FAKRA Male Waterblue	Renault (AM/FM and DAB cables) 2009 > Nissan (DAB cable) 2012 >
P/N: 7581165	FAKRA Female White	75 Ohm	150 mm	DIN Male	Vehicles with DIN Female connector on the original cable
P/N: 7581166	FAKRA Female White	RG174	220 mm	Opel 4 POLE	Opel > 2010
P/N: 7581167	FAKRA Female White	RG174	200 mm	GT13 Female (GT13SS-1/1S-HU)	Nissan (AM/FM cable) 2012 >
P/N: 7581168	FAKRA Female White	RG174	200 mm	GT13 Female (GT13SC-1/1S-HU)	Suzuki 2012 >

Note Adapter cables for AM/FM function to connect a Calearo Antenna with FAKRA Male White connector to the car original cable

AM/FM ADAPTER CABLE**FOR CAR RADIO**

	ORIGINAL CABLE SIDE	CABLE TYPE	CABLE LENGHT	CAR RADIO SIDE	COMPATIBILITY
P/N: 7581101	FAKRA Male White / Black	RG174	150 mm	ISO Male	BMW / Mercedes / PSA / Opel

Note Adapter cables for AM/FM function to connect the car original cable with FAKRA Female Connector to an AfterMarket car radio

AM/FM COMPACT ISO/DIN CONNECTOR ADAPTERS

	DESCRIPTION
P/N: 7420002	Change ISO Male Connector to DIN Male
P/N: 7420003	Change DIN Male Connector to ISO Male

**P/N 7420002****P/N 7420003**

Note

AM/FM DIN CONNECTOR FOR WELDING

	DESCRIPTION
P/N: 7130003	DIN Male Connector for on cable welding
P/N: 7542030	DIN Female Connector for on cable welding

**P/N 7130003****P/N 7542030**

Note

DAB PHANTOM FEEDING ADAPTER**FOR DAB ANTENNAS**

	ORIGINAL CABLE SIDE	CABLE LENGHT	HEAD UNIT SIDE	POWER SUPPLY
P/N: 7581134	SMB Male	250 mm	SMB Female	12 Volt



Note Housing for change the SMB Female connector to FAKRA Female connector included into the package

AM/FM PHANTOM FEEDING ADAPTERS

FOR AM/FM ANTENNAS

	ORIGINAL CABLE SIDE	CABLE LENGTH	HEAD UNIT SIDE	POWER SUPPLY
P/N: 7581059	ISO Female	240 mm	DIN Male	12 Volt



FOR AM/FM ANTENNAS

	ORIGINAL CABLE SIDE	CABLE LENGTH	HEAD UNIT SIDE	POWER SUPPLY
P/N: 7581107	FAKRA Male Waterblue	250 mm	ISO Male	12 Volt



FOR AM/FM ANTENNAS WITH DIVERSITY SYSTEM

	ORIGINAL CABLE SIDE	CABLE LENGTH	HEAD UNIT SIDE	POWER SUPPLY
P/N: 7581135	FAKRA Male Waterblue x 2	400 mm	DIN Male	12 Volt



DTT ADAPTERS

FOR CALEARO TV ANTENNAS

	CABLE ANTENNA SIDE	CABLE TYPE	CABLE LENGTH	DEVICE SIDE	NOTE
P/N: 7132020	JACK Female 3,5 mm	75 Ohm coaxial	200 mm	F Male	Adapters to change the F Female connector to IEC Male and IEC Female included in the package
P/N: 7132074	JACK Female 3,5 mm	75 Ohm coaxial	200 mm	FAKRA Female Green	
P/N: 7581157	FAKRA Male Green	75 Ohm coaxial	150 mm	F Male	Adapters to change the F Female connector to IEC Male and IEC Female included in the package

Note

SMB ADAPTER CABLES

	ANTENNA CABLE SIDE	CABLE TYPE	CABLE LENGTH	DEVICE SIDE	NOTE
P/N: 7181113	SMB Male	RG174	120 mm	GT 16 Female (GT16F-1S-HU(B))	Pioneer GPS Receiver
P/N: 7581106	SMB Male	RG174	120 mm	MCX Male	
P/N: 7581109	SMB Male	RG174	120 mm	SMA Male	
P/N: 7581077	SMB Male	RG174	150 mm	GT 5 Female (GT5-1S-HU)	Alpine GPS Receiver
P/N: 7581118	SMB Male	RG174	150 mm	SMB Female 90°	
P/N: 7581123	SMB Male	RG174	200 mm	FAKRA Female	Blue, Black and Waterblue housing supplied in the package

Note

FME ADAPTER CABLES

	ANTENNA CABLE SIDE	CABLE TYPE	CABLE LENGHT	DEVICE SIDE
P/N: 7127220	FME Male	RG174	200 mm	MCX Male
P/N: 7131041	FME Male	RG174	150 mm	MMCX Male 90°
P/N: 7581122	FME Male	RG174	200 mm	FAKRA Female Bordeaux
P/N: 7581105	FME Male	RG174	200 mm	FAKRA Female 90° Bordeaux

Note

FME ADAPTER CONNECTORS

	ANTENNA CABLE SIDE	DEVICE SIDE
P/N: 7131003	FME Male	BNC

	ANTENNA CABLE SIDE	DEVICE SIDE
P/N: 7131005	FME Male	MINI UHF

	ANTENNA CABLE SIDE	DEVICE SIDE
P/N: 7131006	FME Male	TNC

	ANTENNA CABLE SIDE	DEVICE SIDE
P/N: 7131009	FME Male	SMA Male

	ANTENNA CABLE SIDE	DEVICE SIDE
P/N: 7131011	FME Male	FME Male

Note



FME CONNECTOR FOR WELDING

	DESCRIPTION
P/N: 7131004	FME Female Connector for on cable RG58 WELDING

Note



FAKRA ADAPTER CABLES

	ANTENNA CABLE SIDE	CABLE TYPE	CABLE LENGHT	DEVICE SIDE
P/N: 7581071	FAKRA Male Waterblue	RG174	150 mm	SMA Male
P/N: 7581072	FAKRA Male Waterblue	RG174	150 mm	SMB Female 90°
P/N: 7132078	FAKRA Female Waterblue	RG 174	500 mm	ISO Female
P/N: 7132079	FAKRA Female Waterblue	RG 58	500 mm	DIN Male
P/N: 7132080	FAKRA Female Waterblue	RG 174	500 mm	ISO Male
P/N: 7132081	FAKRA Female Waterblue	RG 174	500 mm	FAKRA Male Waterblue
P/N: 7132082	FAKRA Female Waterblue	RG 174	500 mm	SMB Female 90°
P/N: 7132083	FAKRA Female Waterblue	RG 174	500 mm	SMA Male
P/N: 7132084	FAKRA Female Waterblue	RG 174	500 mm	FAKRA Female Waterblue
P/N: 7132085	FAKRA Female Waterblue	RG 58	500 mm	DIN Female

Note

FAKRA/DIN EXTENSION CABLES FOR AM/FM WITH PHANTOM FEEDING

	ANTENNA SIDE	CABLE TYPE	CABLE LENGHT	DEVICE SIDE
P/N: 7561011	FAKRA Female White	RG58	3 meters	DIN Male
P/N: 7561012	FAKRA Female White	RG58	5 meters	DIN Male
P/N: 7561013	FAKRA Female White	RG58	7 meters	DIN Male
P/N: 7561014	FAKRA Female White	RG58	9 meters	DIN Male
P/N: 7561015	FAKRA Female White	RG58	12 meters	DIN Male

Note Black, Blue and Waterblue housing for FAKRA Female connector included in the package

FAKRA EXTENSION CABLES FOR AM/FM-DAB-DTT WITH ADDITIONAL CABLE FOR DEDICATED POWER SUPPLY

	ANTENNA SIDE	CABLE TYPE	CABLE LENGHT	DEVICE SIDE	APPLICATION
P/N: 7581173	FAKRA Female White	75 Ohm coaxial	3 meters	ISO Male	AM/FM
P/N: 7581175	FAKRA Female White	75 Ohm coaxial	5 meters	ISO Male	AM/FM
P/N: 7581177	FAKRA Female White	75 Ohm coaxial	7 meters	ISO Male	AM/FM
P/N: 7581183	FAKRA Female White	75 Ohm coaxial	3 meters	DIN Male	AM/FM
P/N: 7581185	FAKRA Female White	75 Ohm coaxial	5 meters	DIN Male	AM/FM
P/N: 7581187	FAKRA Female White	75 Ohm coaxial	7 meters	DIN Male	AM/FM
P/N: 7581193	FAKRA Female Waterblue	75 Ohm coaxial	3 meters	FAKRA Female Waterblue	AM/FM - DAB - DTT
P/N: 7581195	FAKRA Female Waterblue	75 Ohm coaxial	5 meters	FAKRA Female Waterblue	AM/FM - DAB - DTT
P/N: 7581197	FAKRA Female Waterblue	75 Ohm coaxial	7 meters	FAKRA Female Waterblue	AM/FM - DAB - DTT

Note

FAKRA/SMB EXTENSION CABLES

FOR CALEARO ANTENNAS

	ANTENNA SIDE	CABLE TYPE	CABLE LENGHT	DEVICE SIDE
P/N: 7581010	FAKRA Female	RG174	1 meter	SMB Female
P/N: 7581011	FAKRA Female	RG174	3 meters	SMB Female
P/N: 7581012	FAKRA Female	RG174	5 meters	SMB Female
P/N: 7581013	FAKRA Female	RG174	7 meters	SMB Female
P/N: 7581014	FAKRA Female	RG174	9 meters	SMB Female
P/N: 7581015	FAKRA Female	RG174	12 meters	SMB Female

Note Housing Black, Blue and Waterblue for FAKRA Female Connector included in the package

FAKRA WATERPROOF/SMB EXTENSION CABLES

FOR CALEARO ANTENNAS

	ANTENNA SIDE	CABLE TYPE	CABLE LENGHT	DEVICE SIDE
P/N: 7581147	FAKRA Female Waterblue	RG174	3,5 meters	SMB Female
P/N: 7581148	FAKRA Female Waterblue	RG174	5 meters	SMB Female

Note WATERPROOF FAKRA Connector

FAKRA/FME EXTENSION CABLE

FOR CALEARO ANTENNAS

	ANTENNA SIDE	CABLE TYPE	CABLE LENGHT	DEVICE SIDE
P/N: 7581116	FAKRA Female	RG58	5 meters	FME Female

Note Black, White, Bordeaux and Green housing for FAKRA Female connector included in the package

FAKRA/SMA EXTENSION CABLES FOR WIFI

FOR CALEARO ANTENNAS

	ANTENNA SIDE	CABLE TYPE	CABLE LENGHT	DEVICE SIDE
P/N: 7581170	FAKRA Female Violet	RG 58 LOW LOSS	3 meters	SMA Male
P/N: 7581171	FAKRA Female Violet	RG 58 LOW LOSS	5 meters	SMA Male
P/N: 7581172	FAKRA Female Violet	RG 58 LOW LOSS	7 meters	SMA Male

Note RG58 LOW LOSS special cables for high frequencies

DIN EXTENSION CABLES FOR AM/FM

	CABLE SIDE	CABLE TYPE	CABLE LENGHT	DEVICE SIDE
P/N: 7581020	DIN Female	AR7	0,5 meter	DIN Male
P/N: 7581023	DIN Female	AR7	1 meter	DIN Male
P/N: 7581029	DIN Female	AR7	3 meters	DIN Male
P/N: 7581034	DIN Female	AR7	4,5 meters	DIN Male

Note

SMB EXTENSION CABLES

	CABLE SIDE	CABLE TYPE	CABLE LENGHT	DEVICE SIDE
P/N: 7581094	SMB Female	RG174	1 meter	SMB Male
P/N: 7581095	SMB Female	RG174	3 meters	SMB Male
P/N: 7581096	SMB Female	RG174	5 meters	SMB Male

Note

FME EXTENSION CABLES

	ANTENNA/CABLE SIDE	CABLE TYPE	CABLE LENGHT	DEVICE SIDE
P/N: 7581046	FME Female	RG58	1,5 meters	FME Female
P/N: 7581045	FME Female	RG58	5 meters	FME Female
P/N: 8510031	FME Male	LOW LOSS	5 meters	FME Female

Note

LOW LOSS EXTENSION CABLES WITH N AND SMA CONNECTORS



	ANTENNA/CABLE SIDE	CABLE TYPE	CABLE LENGHT	DEVICE SIDE
P/N: 8510015	N Male	LOW LOSS	2 meters	SMA Male
P/N: 8510009	N Male	LOW LOSS	5 meters	SMA Male

Note

LOW LOSS EXTENSION CABLES WITH SMA CONNECTORS

	ANTENNA/CABLE SIDE	CABLE TYPE	CABLE LENGHT	DEVICE SIDE
P/N: 7131047	SMA Female	LOW LOSS	5 meters	SMA Male - REVERSE POLARITY
P/N: 8510004	SMA Female	LOW LOSS	2 meters	SMA Male
P/N: 8510050	SMA Female	LOW LOSS	4 meters	SMA Male
P/N: 8510029	SMA Female	LOW LOSS	5 meters	SMA Male
P/N: 8510051	SMA Female	LOW LOSS	8 meters	SMA Male
P/N: 8510064	SMA Female	LOW LOSS	10 meters	SMA Male
P/N: 8510012	SMA Female	LOW LOSS	25 meters	SMA Male

Note

FAKRA	COLOUR	CODE KEY	TYPICAL APPLICATION
	Black	A	AM/FM - DAB
	White	B	AM/FM
	Blue	C	GPS - GNSS
	Bordeaux	D	GSM/UMTS/LTE
	Green	E	TV - UHF - VHF
	Brown	F	DAB (NISSAN/RENAULT)
	Grey	G	DAB (FCA)
	Violet	H	WIFI
	Waterblue	Z	UNIVERSAL

BP



BPN Male

GT



GT13 Female (GT13-SH)

ISO



ISO Female

SMA



SMA Female



BPN Female



GT13 Female (GT13-SS)



ISO Male



SMA Male

DIN



DIN Female

GT16 Female



GT16 Female

JACK



JACK Female 3,5 mm

SMA Male RP (Reverse Polarity)



SMA Male RP (Reverse Polarity)



DIN Male

GT5 Female



GT5 Female

MCX



MCX Male

SMB



SMB Female

F



F Male

HC



HC97 Male (RAKU 2 Male)

MMCX



MMCX Male 90°

SMB Female 90°



SMB Female 90°

FME



FME Female

HC97 Female (RAKU2 Female)



HC97 Female (RAKU2 Female)

N



N Male

SMB Male



SMB Male



FME Male



HC Male



N Female

OPEL



OPEL

IEC



IEC 9,5

ROKA



ROKA Male

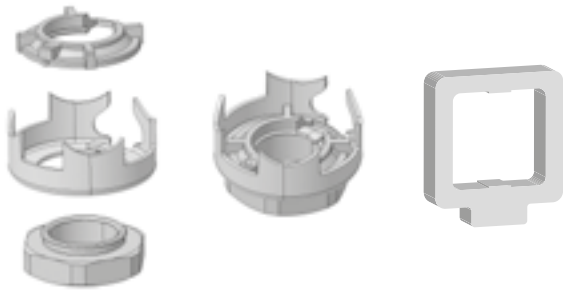
ACCESSORIES & SPARE PARTS

HOLE ADAPTERS.....	78
HOUSING FAKRA.....	78
ROD FOR SINGLE FUNCTION ANTENNAS.....	79
ROD FOR MULTIFUNCTIONAL ANTENNAS ...	80
ROD FOR CRITICAL ANTENNAS	81
ROD FOR GSM ANTENNAS	81

HOLE ADAPTER

P/N: 7131050

FCA 2012 >



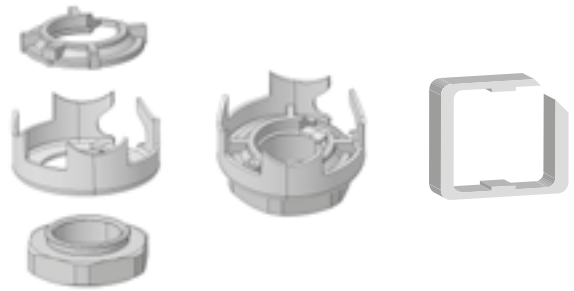
Note Only for SHARK 2 antennas

HOLE ADAPTER

FOR SHARK 2 ONLY

P/N: 7131051

FORD 2011 >



Note Only for SHARK 2 antennas

HOLE ADAPTER

FOR SHARK 2 ONLY

P/N: 7131052

OPEL 2009 >



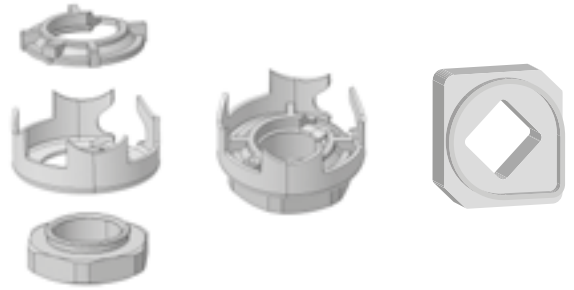
Note Only for SHARK 2 antennas

HOLE ADAPTER

FOR SHARK 2 ONLY

P/N: 7131053

VOLKSWAGEN MIB PLATFORM 2012 >



Note Only for SHARK 2 antennas

HOLE COVER CAP

P/N: 7130005

UNIVERSAL



Note Hole cover cap diameter: 3 cm

Housing Fakra

FAKRA HOUSING KIT NEW

P/N: 7131055

WATERBLUE HOUSING FOR FAKRA MALE CONNECTOR



Note Kit contains 5 housing
Allow to replace any FAKRA Male housing with the universal type

FAKRA HOUSING KIT NEW

P/N: 7131056

WATERBLUE HOUSING FOR FAKRA MALE CONNECTOR



Note Kit contains 5 housing
Allow to replace any FAKRA Female housing with the universal type

16V TYPE

P/N: 7551019	AM/FM		
Type	16V	Thread	M5
Lenght	410 mm		



16V TYPE

P/N: 7551037	AM/FM		
Type	16V	Thread	M5
Lenght	410 mm		



Note Antinoise Coil

16V TYPE

P/N: 7551039	AM/FM		
Type	16V	Thread	M5
Lenght	300 mm		



Note Antinoise Coil

16V TYPE

P/N: 7551033	DAB		
Type	16V	Thread	M6
Lenght	410 mm		



Note Antinoise Coil

FIBERGLASS

P/N: 7552012	AM/FM		
Type	FIBERGLASS	Thread	M6
Lenght	400 mm		



FIBERGLASS

P/N: 7552017	AM/FM		
Type	FIBERGLASS	Thread	M6
Lenght	840 mm		



RUBBER

P/N: 7550028	AM/FM		
Type	RUBBER	Thread	M6
Lenght	360 mm		



16V TYPE

P/N: 7551027	AM/FM - GSM		
Type	16V	Thread	M6
Lenght	410 mm		



Note Antinoise Coil

16V TYPE

P/N: 7551038	AM/FM - DTT		
Type	16V	Thread	M6
Lenght	410 mm		



Note Antinoise Coil

16V TYPE

P/N: 7552090	AM/FM - DAB		
Type	16V Short	Thread	M5
Lenght	200 mm		



Note Smooth

16V TYPE

P/N: 7551040	AM/FM - DAB		
Type	16V	Thread	M6
Lenght	410 mm		



Note Antinoise Coil

FLEXI

P/N: 7551046	AM/FM - DAB		
Type	Flexi	Thread	M6
Lenght	220 mm		



Note Heavy duty and high flexible

FIBERGLASS

P/N: 7551045	AM/FM - DAB		
Type	Fiberglass	Thread	M6 Female
Lenght	400 mm		



Note Package include two adapters to change the M6 Female thread to M5 male or to M6 male

16V TYPE

P/N: 7551041	UHF		
Type	16V	Thread	M6
Lenght	260 mm		



16V TYPE

P/N: 7551042	VHF		
Type	16V	Thread	M6
Lenght	380 mm		



Note Tunable

Rod for GSM Antennas

FIXED

P/N: 7551028	GSM		
Type	OMNIDIRECTIONAL	Thread	M6
Lenght	50 mm		



FIXED

P/N: 7551029	GSM		
Type	OMNIDIRECTIONAL	Thread	M5
Lenght	60 mm		



AUDIO & VIDEO

RADIO	84
SPEAKER	86
MONITOR	87
REAR VIEW CAMERA	88
EXTENSION CABLE & ADAPTERS FOR VIDEO SYSTEMS	90
MOUNTING ACCESSORIES	91
LEGEND OF ICONS	93

Callearo's line of car radio, speakers and adapters is able to create the perfect kit for any kind of vehicle, from private city cars to vehicles designed to withstand the harsh environment. This product range includes dust and spray proof radios paired with technologies such as DAB-DAB+ reception and Bluetooth.



ES 6180^{BT}

1 DIN CAR RADIO

P/N: 7137567

EEPROM • BLUETOOTH • MECHLESS

Tuner	AM/FM RDS World Tuner	Front Panel	Detachable
Audio Source	USB - SD CARD - A2DP - AUX IN	Audio power	4 x 40 Watt max
Bluetooth	Hands Free (HFP) - Audio Streaming (A2DP)	Power supply	12 Volt
Media	MP3 - WMA	Main connector	ISO built in
Display	LCD with WHITE segments	Antenna Connector	DIN Female built in
Key & Knob	RED color light	Dimension	1 DIN standard Short body

Note



ES 6180^{DAB}

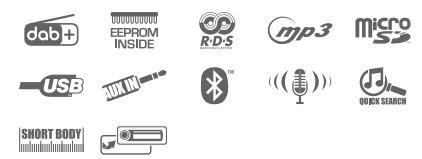
1 DIN CAR RADIO

P/N: 7137574

EEPROM • DAB TUNER • BLUETOOTH • MECHLESS

Tuner	AM/FM RDS World Tuner - DAB Tuner	Front Panel	Detachable
Audio Source	USB - MICRO SD - A2DP - AUX IN	Audio power	4 x 40 Watt max
Bluetooth	Hands Free (HFP) - Audio Streaming (A2DP/AVRCP)	Power supply	12 Volt
Media	MP3 - WMA - FLAC	Main connector	ISO built in
Display	DOT Matrix WHITE	Antenna Connector	AM/FM: DIN Female - DAB: SMB Male
Key & Knob	RED color light	Dimension	1 DIN standard Short body

Note



DP 6290^{DAB}

1 DIN CAR RADIO

P/N: 7137577

IP54 PROTECTION GRADE • EEPROM • DAB TUNER • BLUETOOTH • MECHLESS

Tuner	AM/FM RDS World Tuner - DAB Tuner	Front Panel	Fixed panel
Audio Source	USB - AUX IN	Audio power	4 x 40 Watt max
Bluetooth	Hands Free (HFP) - Audio Streaming (A2DP/AVRCP)	Power supply	12 Volt
Media	MP3 - WMA	Main connector	ISO built in
Display	LCD with WHITE illumination and BLACK segments	Antenna Connector	AM/FM: DIN Female - DAB: SMB Male
Key & Knob	RED color light	Dimension	1 DIN standard Short body

Note Dust & Spray resistant with IP54 protection grade for heavy duty installation



DP 6400^{DAB}

NEW

1 DIN CAR RADIO

P/N: 7137594

IP54 PROTECTION GRADE • 12V AND 24V POWER SUPPLY • EEPROM • DAB TUNER • BLUETOOTH • MECHLESS

Tuner	AM/FM RDS World Tuner - DAB Tuner	Front Panel	Fixed panel
Audio Source	USB - AUX IN	Audio power	4 x 40 Watt max
Bluetooth	Hands Free (HFP) - Audio Streaming (A2DP/AVRCP)	Power supply	12/24 Volt
Media	MP3 - WMA	Main connector	ISO built in
Display	LCD with WHITE illumination and BLACK segments	Antenna Connector	AM/FM: DIN Female - DAB: SMB Male
Key & Knob	RED color light	Dimension	1 DIN standard Short body

Note Dust & Spray resistant with IP54 protection grade for heavy duty installation



EL 87

P/N: 7697320

2 WAY COAXIAL

Dimension	87 mm	Frequency Resp.	100 ÷ 20000 Hz
Deep	42 mm max	Impedance	4 Ohm
Power	Nominal: 35 watt - Max: 50 watt	Cone	Paper
Efficiency	87 dB	Basket	Steel



EL 100

P/N: 7697321

2 WAY COAXIAL

Dimension	100 mm	Frequency Resp.	90 ÷ 16000 Hz
Deep	50 mm max	Impedance	4 Ohm
Power	Nominal: 35 watt - Max: 75 watt	Cone	Paper
Efficiency	88 dB	Basket	Steel



EL 130

P/N: 7697322

2 WAY COAXIAL

Dimension	130 mm	Frequency Resp.	80 ÷ 16000 Hz
Deep	46 mm max	Impedance	4 Ohm
Power	Nominal: 40 watt - Max: 80 watt	Cone	Paper
Efficiency	90 dB	Basket	Steel



EL 165

P/N: 7697323

2 WAY COAXIAL

Dimension	165 mm	Frequency Resp.	70 ÷ 16000 Hz
Deep	57 mm max	Impedance	4 Ohm
Power	Nominal: 50 watt - Max: 100 watt	Cone	Paper
Efficiency	92 dB	Basket	Steel



EL 4X6

P/N: 7697330

2 WAY COAXIAL

Dimension	90 x 150 mm	Frequency Resp.	60 ÷ 20000 Hz
Power	45 mm max	Cone	4 Ohm
Impedance	Nominal: 25 watt - Max: 50 watt	Surround	Paper
Freq. response	91 dB	Basket	Steel



DC 100

P/N: 7697331

DUAL CONE

Dimension	100 mm	Frequency Resp.	80 ÷ 20000 Hz
Deep	50 mm max	Impedance	4 Ohm
Power	Nominal: 15 watt - Max: 30 watt	Cone	Paper
Efficiency	90 dB	Basket	Steel



ML 100

P/N: 7697332

2 WAY COAXIAL - NEODIMIUM TWEETER

Dimension	100 mm	Frequency Resp.	90 ÷ 20000 Hz
Power	42 mm max	Impedance	4 Ohm
Impedance	Nominal: 40 watt - Max: 80 watt	Cone	Polycarbonate
Freq. response	91 dB	Basket	Steel



MON-7012

P/N: 7137730

LCD-TFT DISPLAY

Display Size	7 inches
Video System	PAL/NTSC automatically selected
Screen Ratio	16:9
Resolution	800 x 480 pixel
Image display	Single
Contrast	500:1
Rear Video Input	3
Front Audio/Video Input	1
Setting Menu	OSM Multilingual
Power Supply	12/24 Volt
Camera Connector type	4 PIN
Dimension (WxHxD)	180x121x23 mm



Note

MON-7012 Q

P/N: 7137731

LCD-TFT DISPLAY • MULTIVISION SYSTEM

Display Size	7 inches
Video System	PAL/NTSC automatically selected
Screen Ratio	16:9
Resolution	800 x 480 pixel
Image display	Single and Multivision support
Contrast	500:1
Rear Video Input	4
Front Audio/Video Input	1
Setting Menu	OSM Multilingual
Power Supply	12/24 Volt
Camera Connector type	4 PIN
Dimension (WxHxD)	180x121x23 mm



Note Multivision system support up to 4 camera at the same time

MON-7010Q AHD NEW

P/N: 7137780

ANALOGUE HIGH DEFINITION • DISPLAY LCD-TFT • MULTIVISION SYSTEM • DIGITAL VIDEO RECORDING (DVR)

Display Size	7 inches
Video System	PAL/NTSC automatically selected
Screen Ratio	16:9
Resolution	1024 x 600 pixel
Image display	Single and Multivision support
Contrast	800:1
Rear Video Input	4
Front Audio/Video Input	1
Setting Menu	OSM Multilingual
Power Supply	12/24 Volt
Camera Connector type	4 PIN
Dimension (WxHxD)	180x121x24 mm



Note Multivision system and Digital Video Recording (DVR) works with up to 4 camera at the same time

CAM-103

BASIC COLOR CAMERA

AVAILABLE VERSIONS

	BLACK	WHITE
P/N: 7137735	•	
P/N: 7137748		•

TECHNICAL SPECIFICATION

ALUMINIUM ALLOY • IP68 PROTECTION GRADE

Sensor type	1/3 CCD Color	Connector	4 PIN
Video System	PAL	Power Supply	12V supplied from the monitor
Resolution	600 TV lines	Shockproof	4G
Minimum illumination	0,5 lux	Weight	400 g
Nigh Vision	18 infrared led lights	Dimension (WxHxD)	77 x 54 x 77 mm
Viewing angle	120 degree	Mounting	U bracket

Note



CAM-127 AHD NEW

AHD CAMERA

P/N: 7137767

ANALOGUE HIGH DEFINITION CAMERA (AHD) • CDS SYSTEM • ALUMINIUM ALLOY • IP69K PROTECTION GRADE

Sensor type	1/3 CMOS	Connector	4 PIN
Video System	PAL	Power Supply	12V supplied from the monitor
Resolution	1280 x 720 max	Shockproof	4G
Minimum illumination	0,1 lux	Weight	300 g
Nigh Vision	CDS System	Dimension (WxHxD)	86 X 77 X 75 mm
Viewing angle	140 degree	Mounting	U bracket

Note

CDS System assure a higher quality night vision - Compatible with Calearo MON-7010 Q AHD



CAM-970

INDUSTRIAL VEHICLE COLOR CAMERA

P/N: 7137738

ALUMINIUM ALLOY CAMERA IN A HIGH RESISTANT PLASTIC BOX • IP68 PROTECTION GRADE

Sensor type	1/4 CCD Color	Connector	4 PIN
Video System	PAL	Power Supply	12V supplied from the monitor
Resolution	600 TV lines	Shockproof	4G
Minimum illumination	0,5 lux	Weight	250 g
Nigh Vision	10 infrared led lights	Dimension (WxHxD)	129 X 59 X 205 mm
Viewing angle	120 degree	Mounting	Screw

Note Special design for bus, coach, motorhome and industrial vehicles suitable for eliminate blind spot



CAM-102

COLOR PIN CAMERA

P/N: 7137747

BUILT-IN MOUNTING • ALUMINIUM ALLOY • IP67 PROTECTION GRADE

Sensor type	CMOS	Connector	4 PIN
Video System	PAL	Power Supply	12V supplied from the monitor
Resolution	480 TV lines	Shockproof	4G
Minimum illumination	0,05 lux	Weight	120 g
Nigh Vision	10 infrared led lights	Max mounting deep	62 mm
Viewing angle	120 degree	Hole diameter	26 mm

Note Suitable for built-in installation



TRAILER EXTENSION CABLE

AVAILABLE VERSIONS

	1 CAMERA ON TRAILER	2 CAMERAS ON TRAILER
P/N: 7137754	•	
P/N: 7137755		•

TECHNICAL SPECIFICATION

Compatibility	Calearo Camera systems
Cable Type	Spiral cable - High resistant and flexible
Connections	Heavy duty with secur lock

Note

P/N **7137754**



P/N **7137755**



4 PIN EXTENSION CABLE

AVAILABLE VERSIONS

	5 METERS	10 METERS	20 METERS
P/N: 7137734	•		
P/N: 7137739		•	
P/N: 7137740			•

TECHNICAL SPECIFICATION

Compatibility	Calearo standard and AHD cameras
Cable Type	High resistant multicore cable
Connections	4 PIN with secur lock

Note

Dedicated cables for video signals and power supply to connect the Calearo cameras to the Calearo monitors

ADAPTER

AVAILABLE VERSIONS

	CHANGE THE MONITOR CONNECTOR FROM 4 PIN TO RCA	CHANGE THE CAMERA CONNECTOR FROM 4 PIN TO RCA
P/N: 7137742	•	
P/N: 7137743		•

TECHNICAL SPECIFICATION

Compatibility	Calearo standard and AHD monitor
Cable Length	300 mm
Connections	4 PIN with secur lock RCA

Note

SPEAKER GRILL

ACCESSORIES

	DESCRIPTIONS	TYPE	MATERIALS
P/N: 7122003	Square grill with visible screw	100 mm	Plastic frame and metal grid
P/N: 7122020	Square grill with visible screw	130 mm	Plastic frame and metal grid
P/N: 7122021	Square grill with visible screw	165 mm	Plastic frame and metal grid



	DESCRIPTIONS	TYPE	MATERIALS
P/N: 7122012	Round grill with hidden screw	100 mm	Plastic frame and metal grid
P/N: 7122018	Round grill with visible screw	100 mm	Plastic frame and metal grid
P/N: 7122022	Round grill with visible screw	130 mm	Plastic frame and metal grid
P/N: 7122019	Round grill with visible screw	165 mm	Plastic frame and metal grid



	DESCRIPTIONS	TYPE	MATERIALS
P/N: 7122023	Rectangular grid with visible screw	150 x 90 mm	Plastic frame and metal grid



BOX

ACCESSORIES

	DESCRIPTIONS	TYPE	MATERIALS
P/N: 7122026	Box for speaker	100 mm	Plastic frame and metal grid

Note Allow to mount the 100 mm speakers type on the dashboard, on the roof or in any other position inside the vehicle



FRAME

ACCESSORIES

	DESCRIPTIONS	MATERIALS	DIMENSION
P/N: 7122025	Black frame for 1 DIN radio with rounded profile	Metal	Internal: 1 DIN standard / External: 195 x 68 mm max
Note	Allow to adapt the radio slot to the 1 DIN standard		




















COVER

ACCESSORIES

	DESCRIPTIONS	MATERIALS	DIMENSION
P/N: 7122017	1 DIN COVER	Plastic	189 x 66 mm
P/N: 7122138	2 DIN COVER	Plastic	189 x 110 mm
Note	Allow to cover the radio preparation	Note	Allow to cover the radio preparation compartment



ICONS DESCRIPTION

	DAB Tuner for DigitalRadio
	Backup memory for settings and stored channels
	IP 54 class protection
	Dust and water spray protection for tough working conditions
	Radio Data System (RDS) displays several types of information (time, station identification and programme information)
	MP3 player
	SD card input
	Micro SD card input
	USB input
	Auxiliary input for audio jack
	Preamplified signal output
	Subwoofer output
	Bluetooth™ for handsfree and audio streaming (A2DP)
	External microphone for handsfree communications
	Quick search for MP3 file
	Detachable panel
	Short body

Index per part number

PART NUMBER	SEE PAGE	PART NUMBER	SEE PAGE	PART NUMBER	SEE PAGE	PART NUMBER	SEE PAGE
7122003	91	7137734	90	7581011	73	7581183	73
7122012	91	7137735	88	7581012	73	7581185	73
7122017	92	7137738	89	7581013	73	7581187	73
7122018	91	7137739	90	7581014	73	7581193	73
7122019	91	7137740	90	7581015	73	7581195	73
7122020	91	7137742	90	7581020	74	7581197	73
7122021	91	7137743	90	7581023	74	7590007	62
7122022	91	7137747	88	7581029	74	7590008	63
7122023	91	7137748	88	7581034	74	7590009	62
7122025	92	7137754	90	7581045	74	7590013	63
7122026	91	7137755	90	7581046	74	7627008	28
7122138	92	7137767	89	7581059	71	7640006	45
7127220	72	7137780	87	7581071	72	7651006	25
7130003	70	7181113	71	7581072	72	7657008	25
7130005	78	7420002	70	7581077	71	7657009	24
7131003	72	7420003	70	7581094	74	7657015	24
7131004	72	7542030	70	7581095	74	7657016	25
7131006	72	7550028	79	7581096	74	7657019	24
7131009	72	7551019	79	7581101	70	7657020	25
7131011	72	7551027	80	7581105	72	7657021	24
7131041	72	7551028	81	7581106	71	7667010	26
7131047	74	7551029	81	7581107	71	7667011	26
7131050	78	7551033	79	7581109	71	7667012	27
7131051	78	7551037	79	7581116	73	7667013	27
7131052	78	7551038	79	7581118	71	7677153	28
7131053	78	7551039	79	7581122	72	7677154	29
7131055	78	7551040	80	7581123	71	7677155	29
7131056	78	7551041	81	7581134	70	7677500	12
7132020	71	7551042	81	7581135	71	7677510	12
7132074	71	7551045	80	7581147	73	7677520	12
7132078	64 - 72	7551046	80	7581148	73	7677805	17
7132079	64 - 72	7552012	79	7581157	71	7677810	13
7132080	64 - 72	7552017	79	7581160	70	7677815	13
7132081	64 - 72	7552090	80	7581161	70	7677820	13
7132082	65 - 72	7561004	64	7581162	70	7677825	13
7132083	65 - 72	7561006	65	7581163	70	7677830	13
7132084	65 - 72	7561007	65	7581164	70	7677840	18
7132085	65 - 72	7561011	73	7581165	70	7677845	18
7132087	64	7561012	73	7581166	70	7677850	19
7137122	31	7561013	73	7581167	70	7677855	19
7137134	32	7561014	73	7581168	70	7677860	20
7137567	84	7561015	73	7581170	74	7677865	20
7137574	84	7561018	65	7581171	74	7677870	21
7137577	85	7562016	67	7581172	74	7677872	21
7137594	85	7562019	66	7581173	73	7677874	21
7137730	87	7562030	64	7581175	73	7677876	22
7137731	87	7581010	73	7581177	73	7677878	23
712 ... ~ 713 ...		713 ... ~ 758 ...		758 ... ~ 758 ...		758 ... ~ 767 ...	

PART NUMBER	SEE PAGE	PART NUMBER	SEE PAGE	PART NUMBER	SEE PAGE	PART NUMBER	SEE PAGE
7677880	23	7697322	86	7771002	48	8510031	74
7677882	22	7697323	86	7771003	48	8510050	74
7677890	15	7697330	86	7771004	46	8510051	74
7677892	15	7697331	86	7771005	46	8510064	74
7677894	15	7697332	86	7771010	45	8610010	59
7677925	30	7727082	14	7771015	49	8610028	38
7677926	30	7727083	14	7771020	50	8610103	59
7677929	30	7727098	37	7771025	51	8610118	59
7677938	31	7727099	37	7771030	52	8610138	56
7677951	33	7731010	39	7771040	49	8610139	56
7677955	33	7750004	41	7771050	44	8610141	56
7677965	16	7750006	41	7771060	44	8610142	56
7681052	38	7757001	41	7771070	44	8610144	58
7681080	40	7757006	41	7771080	44	8610145	58
7681095	40	7770057	36	8510004	74	8610146	38
7697015	32	7770058	36	8510009	74	8610147	38
7697018	32	7770059	36	8510012	74	8610148	38
7697320	86	7771000	47	8510015	74	8610155	57
7697321	86	7771001	47	8510029	74	8610156	57
767 ... ~ 769 ...		769 ... ~ 777 ...		777 ... ~ 851 ...		851 ... ~ 861 ...	

Calearo persegue costantemente una politica di continua ricerca e sviluppo.
Pertanto si riserva il diritto di modificare le caratteristiche tecniche e/o estetiche
dei suoi prodotti in qualsiasi momento e senza alcun preavviso.

Calearo has always pursued a policy of continuous research and development.
Therefore the Company reserves the right to modify technical and/or aesthetical features
of its products at any time and without prior notice.

Die Firma Calearo betreibt ständige Forschungs- und Entwicklungspolitik und behält sich
das Recht vor, jederzeit technische und/oder ästhetischen Änderungen ihrer Produkte ohne
vorherige Benachrichtigung vorzunehmen.

Calearo poursuit une politique continue de développement et d'amélioration et,
par conséquent, se réserve tout droit de modifier les caractéristiques techniques
et/ou esthétiques de ses produits à n'importe à quel moment et sans préavis.

Calearo apuesta por una política constante de desarrollo e innovación.
Por lo que, se reserva el derecho de modificar las características tanto técnicas
como estéticas de sus productos en cualquier momento y sin ningún preaviso.

Компания Calearo постоянно занимается исследованиями и разработками.
Поэтому Компания оставляет за собой право изменять любые технические характеристики
и/или дизайн своего продукта в любой момент без дополнительного уведомления.

Calearo heeft altijd een beleid van continue research en ontwikkeling nagestreeft.
Daartoe behoudt het bedrijf het recht om te allen tijde en zonder voorafgaande kennisgeving
technische en/of esthetische aanpassingen in haar producten te doen.

REV. 02/21





Worldwide By

Calero Antenne S.p.a.

Via Bacchiglione, 49

36033 - Isola Vicentina, (VI) - ITALY

Tel. (+39) 0444 901311 - Fax (+39) 0444 901375

info@calero.com - www.calero.com

X-ON Electronics

Largest Supplier of Electrical and Electronic Components

Click to view similar products for [Radio Car Antennas](#) category:

Click to view products by [CALEARO](#) manufacturer:

Other Similar products are found below :

[AIB30-18-4PC](#) [632-018-010](#) [632-039-001](#) [650-215-001](#) [650-223-002](#) [650-242-002](#) [650-249-002](#) [650-323-011](#) [632-032-002](#) [650-235-001](#)
[A00001.C](#) [A00003](#) [A00006](#) [A00010](#) [A00102](#) [A00103](#) [A00106](#) [A00107](#) [A00110](#) [A00007.C](#) [A00118-05](#) [7651006](#) [7657008](#) [7657009](#)
[7657016](#) [7657019](#) [7657020](#) [7657021](#) [7667001](#) [7677153](#) [7677800](#) [7677906](#) [7677908](#) [7677947](#) [7697015](#) [7697018](#) [A00024-05](#) [A00030-05](#)
[A00031-05](#) [A00120-05](#) [1508-01-0](#) [650-345-012](#) [ANT0202](#) [ANT0203](#) [8223](#) [8224](#) [632-029-003](#) [632-033-001](#) [632-036-001](#) [650-202-002](#)