



ANTENNA
MAKES THE
DIFFERENCE

GENERAL CATALOGUE 2021



antenne
CALEARO[®]
Antemnae Magister

WE ARE "ANTEMNAE MAGISTER": THE MASTERS OF THE ANTENNA.

Calearo Antenne is a company that was born together with a family: the one created by Alessio Calearo and Lucia Ciman, who, at the end of the 1950s, devoted their energies to lay the foundations what is the industrial group we know today.

Since 1957 our goal and our values have remained unaffected, we have maintained the same passion and the same energy that my parents have transmitted to us and that led Calearo Antenne until today.

"Execute our business using the most advanced technologies to produce the leading solutions in the field of connectivity, bearing in mind that there are people be-

hind this technology": this is the first value that my father chose for its company. This is reason why our strength is in the team, a group made up of all the people who share our experience, our passion and our commitment. The beating heart of Calearo Antenne are the those who work together every day and who recognize the success of the company as a common goal.

It has been more than sixty year since we first look into the connectivity world. Since then, we have made signal transmission our flag. We have built our research centre, the brain of our group, which, thanks to the unceasing dialogue with several Italian and international universities,

guarantees us to be at the forefront of technology. We have grown in terms of numbers, experience and competence. Today we are proud to supply over 20 car manufacturers directly.

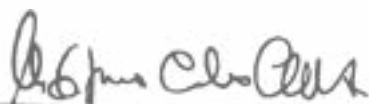
We are a family business with international vision. Our heart is in Italy and our gaze is always towards new horizons.

We want to be the leaders in the production of antennas and connectivity systems for cars, and we do it as ambassadors of Made in Italy in the world. We like to consider limits as opportunities, technological excellence as a starting point, and the constant effort towards technological evolution as a star to aim for.



Nevertheless, we have never forgotten where we started from, nor who accompanied us on our journey, all the people who have contributed to make our company great over the years.

The world moves rapidly and Calearo Antenne keeps up with it. We are ready to face all unexplored challenges, offering dedicated solutions to our partners globally, joining forces with them in developing new technologies in their specific field. We are "Antemnae Magister": the masters of the antennas.



Massimo Calearo Ciman
Chairman





CALEARO **ANTENNE**

Vision

*Magister Antemnae: being best in class in connectivity.
Becoming excellence in your target market.*

Mission

*Being a reference supplier, with profitability,
of highly innovative solutions for market leaders
and some niches in the world of connectivity*



RESEARCH, DEVELOPMENT AND INNOVATION

Evolution plays a special role for Calearo Antenne. Research and development are both a commercial necessity and a constant investment: a look into the future, to remain at the forefront of technology and lead the sector.

Calearo Antenne has always boasted flexibility and the ability to react quickly to market demands, qualities that allow us to face the challenges that the globalized world raises today, and to anticipate those of tomorrow.

**All this is CE.R.CA:
Calearo Research Center
(Centro di Ricerca Calearo).**

The Calearo Research and Development Center, or Ce.R.Ca., is the fulcrum, the engine and the technological soul of Calearo, it is the “place” for the construction of competitiveness from which the leadership of the company and the continuous drive to the future, to innovation and experimentation.

Inaugurated in 2005, the Ce.R.Ca. today employs about 50 highly qualified researchers including PhDs, engineers, physicists and specialized technicians dedicated to research and development for all phases of product advancement, from design to production, working in synergy with national and foreign universities and research centres.



CERTIFICATIONS

For Calearo, continuous improvement is a recurrent activity aimed to increase performance.

The path of defining objectives and identifying opportunities of improvement is a continuous process that apply the results and conclusions of the audit, data analysis, management review and other dedicated means. It generally involves corrective or preventive actions.

Performance is a measurable result that can refer to something qualitative or quantitative, being management activities, processes, products, services, system or organization.

Continuous improvement is nothing more than the process of becoming a more effective organization, an incremental path made up of many small steps towards a better professional future.



**HQ
ITALY**
Isola Vicentina

TUNISIA
Zaghuan

SLOVAKIA
Samorin

CHINA
Ghangzou

CALEARO **IN THE WORLD**

Calearo Antenne defines itself as a “glocal” company, which operates in a globalized world, but draws energy from its roots deep in Italian ingenuity.

The choice that has always distinguished us is to be constantly in touch with our customers and their markets. For this reason, over the years, we strived to expand our commercial network all over the world.

To be present at the hotspots of global automotive manufacturing is a central point for us.

Technology evolves fast, and so do the increasingly peculiar demands of the market. Our factories in Italy, Slovakia, Tunisia and China allow us to respond efficiently and effectively to all the market's needs.



BROADCASTING 11

TELEMATICS 35

CRITICAL 43

BUILDINGS 55

SERVICE BOX 61

ADAPTERS & CABLES 69

ACCESSORIES & SPARE PARTS 77

AUDIO & VIDEO 83

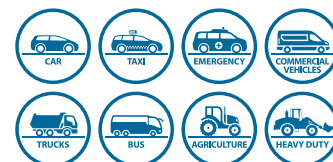
| | |
|----------------------|----|
| SHARK 3 | 12 |
| SHARK 2 | 13 |
| SHARK 2 CUSTOM | 15 |
| SHARK 1 | 17 |
| 16 V | 18 |

| | |
|-------------------------|----|
| FRONT ROOF | 24 |
| FLEXI | 26 |
| TELESCOPIC | 28 |
| INTERNAL MOUNTING | 30 |
| FOIL | 33 |



| | |
|----------------------|----|
| RADOME COMPACT | 36 |
| SHARK 2 | 37 |
| ON ROOF | 38 |
| MAGNETIC | 38 |

| | |
|-------------------|----|
| LUNEX | 39 |
| INTERNAL | 40 |
| LOCATIONING | 41 |



| | |
|--------------------------|----|
| RADOME | 44 |
| EMERGENCY SERVICES | 45 |
| 16 V | 46 |

| | |
|---------------|----|
| SHARK 2 | 49 |
| RSA | 50 |
| QUAD | 52 |



| | |
|------------------|----|
| ARRAY | 56 |
| FIBERGLASS | 57 |

| | |
|---------------|----|
| COMPACT | 58 |
| MODEM | 59 |



| | |
|------------------|----|
| DAB & PLAY | 62 |
| SPLITTER | 64 |

| | |
|-------------------|----|
| LOCATIONING | 66 |
| RADIO | 67 |

| | |
|------------------------|----|
| ADAPTERS | 70 |
| EXTENSION CABLES | 73 |

| | |
|---------------------------|----|
| TABLE OF CONNECTORS | 75 |
|---------------------------|----|

| | |
|--------------------------------------|----|
| HOLE ADAPTERS | 78 |
| HOUSING FAKRA | 78 |
| ROD FOR SINGLE FUNCTION ANTENNAS ... | 79 |

| | |
|--------------------------------------|----|
| ROD FOR MULTIFUNCTIONAL ANTENNAS ... | 80 |
| ROD FOR CRITICAL ANTENNAS | 81 |
| ROD FOR GSM ANTENNAS | 81 |

| | |
|------------------------|----|
| RADIO | 84 |
| SPEAKER | 86 |
| MONITOR | 87 |
| REAR VIEW CAMERA | 88 |

| | |
|--|----|
| EXTENSION CABLE & ADAPTERS FOR VIDEO SYSTEMS | 90 |
| MOUNTING ACCESSORIES | 91 |
| LEGEND OF ICONS | 93 |



| | |
|-----------------------------|----|
| INDEX PER PART NUMBER | 94 |
|-----------------------------|----|

BROADCASTING

| | |
|-------------------------|----|
| SHARK 3 | 12 |
| SHARK 2 | 13 |
| SHARK 2 CUSTOM | 15 |
| SHARK 1 | 17 |
| 16 V | 18 |
| FRONT ROOF | 24 |
| FLEXI | 26 |
| TELESCOPIC | 28 |
| INTERNAL MOUNTING | 30 |
| FOIL | 33 |

The high quality of Calearo antennas and cables allows to create a reception system able to optimize the sound inside the car by making the most of all its features. Fitted to a saloon or a micro car, or even a cabin of an agricultural vehicle, our antennas guarantee total functional efficiency, reliability, durability and top reception.



SHARK 3 NEW

ROOF ANTENNA

AVAILABLE VERSIONS

| | AM / FM | DAB | GNSS | LTE |
|----------------------------|---------|-----|------|-----|
| P/N: 7677520 - QUAD | • | • | • | • |
| P/N: 7677510 - TRIPLEX | • | • | • | |
| P/N: 7677500 - COMBI RADIO | • | • | | |

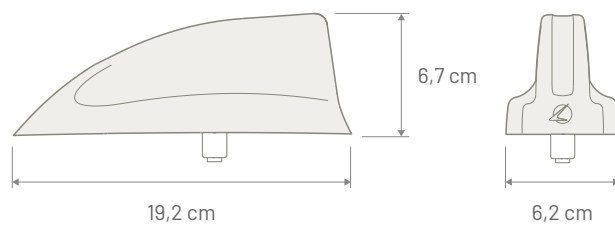
TECHNICAL SPECIFICATION

| | AM / FM | DAB | GNSS | LTE |
|--------------------|------------------|------------------|--------------------|-----------------------------|
| Connector | FAKRA Male White | FAKRA Male Black | FAKRA Male Blue | FAKRA Male Bordeaux |
| Cable Type | RG 174 | RG 174 | RG 174 | RG 174 |
| Cable Length | 200 mm | 300 mm | 400 mm | 250 mm |
| Power Supply | 12 Volt Phantom | 12 Volt Phantom | 3 - 5 Volt Phantom | -- |
| Consumption | 63 mA | 40 mA | 31 mA | -- |
| Impedance | FM: 50 Ω | 50 Ω | 50 Ω | 50 Ω |
| Gain | -- | 6 dBi | 28 dBi | Peak: 4 dBi Average: -4 dBi |
| VSWR | FM < 2:1 | < 3:1 | 1.7:1 | 3:1 |
| Max Power | -- | -- | -- | 4 Watt |
| Protection Class | IP69 | | | |
| Coachwork drilling | Round: 17 mm | | | |

Note



Dimensions



SHARK 2

ROOF ANTENNA

AVAILABLE VERSIONS

| | AM / FM | DAB | GNSS |
|----------------------------|---------|-----|------|
| P/N: 7677810 - TRIPLEX | • | • | • |
| P/N: 7677815 - COMBI RADIO | • | • | |
| P/N: 7677820 - DAB | | • | |
| P/N: 7677825 - DUPLEX | • | | • |
| P/N: 7677830 - RADIO | • | | |

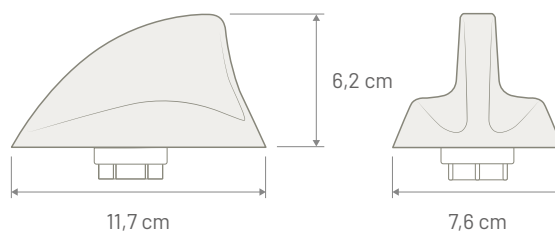
TECHNICAL SPECIFICATION

| | AM / FM | DAB | GNSS |
|--------------------|-----------------------------------|-------------------------------|--------------------|
| Connector | FAKRA Male White | FAKRA Male Black | FAKRA Male Blue |
| Cable Type | RG 174 | RG 174 | RG 174 |
| Cable Length | 250 mm | 250 mm | 250 mm |
| Power Supply | 12 Volt Dedicated and Phantom | 12 Volt Dedicated and Phantom | 3 - 5 Volt Phantom |
| Consumption | 50 mA max | 50 mA max | 31 mA |
| Impedance | 50 Ω | 50 Ω | 50 Ω |
| Gain | -- | 2 dBi | 28 dBi |
| VSWR | -- | < 3:1 | 1.7:1 |
| Protection Class | IP68 | | |
| Coachwork drilling | Square: 15 x 15 mm - Round: 19 mm | | |

Note



Dimensions



SHARK 2^{TV}

ROOF ANTENNA

AVAILABLE VERSIONS

| | AM / FM | DTT | GNSS |
|---------------------------|---------|-----|------|
| P/N: 7727083 - TRIPLEX TV | • | • | • |
| P/N: 7727082 - COMBI TV | • | • | |

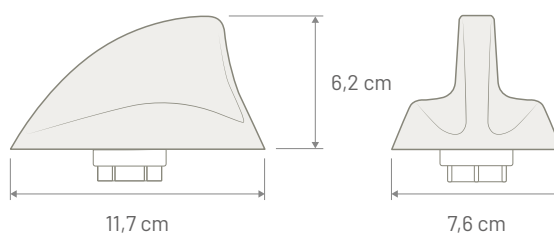
TECHNICAL SPECIFICATION

| | AM / FM | DTT | GNSS |
|--------------------|-----------------------------------|-------------------------------|--------------------|
| Connector | FAKRA Male White | FAKRA Male Green | FAKRA Male Blue |
| Cable Type | RG 174 | RG 174 | RG 174 |
| Cable Length | 250 mm | 250 mm | 250 mm |
| Power Supply | 12 Volt Dedicated and Phantom | 12 Volt Dedicated and Phantom | 3 - 5 Volt Phantom |
| Consumption | 50 mA max | 40 mA max | 45 mA max |
| Impedance | FM: 50 Ω | 50 Ω | 50 Ω |
| Gain | -- | 4 dBi | 28 dBi |
| VSWR | -- | < 4 | 2:1 |
| Protection Class | IP68 | | |
| Coachwork drilling | Square: 15 x 15 mm - Round: 19 mm | | |

Note



Dimensions



SHARK 2 FCA

ROOF ANTENNA

AVAILABLE VERSIONS

| | AM / FM | DAB | GNSS |
|----------------------------|---------|-----|------|
| P/N: 7677890 - TRIPLEX | • | • | • |
| P/N: 7677892 - COMBI RADIO | • | • | |
| P/N: 7677894 - RADIO | • | | |

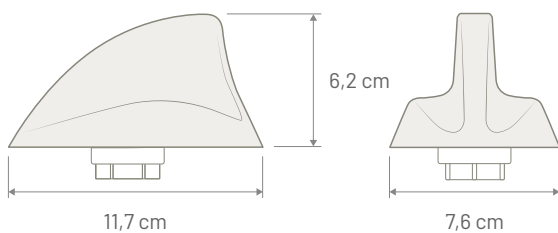
TECHNICAL SPECIFICATION

| | AM / FM | DAB | GNSS |
|--------------------|-----------------------------------|-------------------------------|--------------------|
| Connector | FAKRA Female White | FAKRA Female Grey | FAKRA Female Blue |
| Cable Type | RG 174 | RG 174 | RG 174 |
| Cable Length | 250 mm | 200 mm | 350 mm |
| Power Supply | 12 Volt Dedicated and Phantom | 12 Volt Dedicated and Phantom | 3 - 5 Volt Phantom |
| Consumption | 50 mA max | 50 mA max | 45 mA max |
| Impedance | 50 Ω | 50 Ω | 50 Ω |
| Gain | -- | 2 dBi | 28 dBi |
| VSWR | -- | < 3:1 | 2:1 |
| Protection Class | IP68 | | |
| Coachwork drilling | Square: 15 x 15 mm - Round: 19 mm | | |

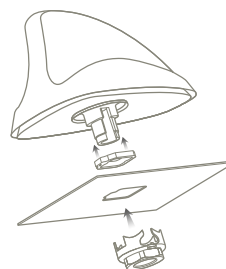
Note



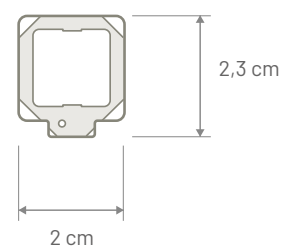
Dimensions



Mounting scheme



FCA hole



SHARK 2 NISSAN COMBI RADIO **NEW**

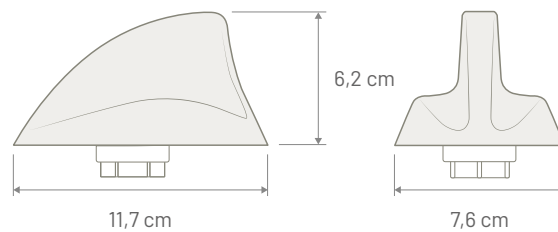
ROOF ANTENNA

| P/N: 7677965 | AM / FM | DAB |
|--------------------|-----------------------------------|---------------------------|
| Connector | GT13 Female | FAKRA Male Brown |
| Cable Type | RG 174 | RG 174 |
| Cable Length | 300 mm | 250 mm |
| Power Supply | 12V Dedicated and Phantom | 12V Dedicated and Phantom |
| Consumption | 50 mA max | 50 mA max |
| Impedance | 50 Ω | 50 Ω |
| Gain | -- | 2 dBi |
| VSWR | -- | < 3:1 |
| Protection Class | IP68 | |
| Coachwork drilling | Square: 15 x 15 mm - Round: 19 mm | |

Note



Dimensions



SHARK 1 RADIO

ROOF ANTENNA

P/N: 7677805

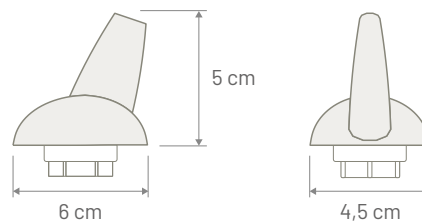
AM / FM

| | |
|--------------------|-----------------------------------|
| Connector | FAKRA Male White |
| Cable Type | RG 174 |
| Cable Length | 250 mm |
| Power Supply | 12 Volt Dedicated and Phantom |
| Consumption | 60 mA max |
| Impedance | 50 Ω |
| Protection Class | IP68 |
| Coachwork drilling | Square: 15 x 15 mm - Round: 19 mm |

Note



Dimensions



TRIPLEX

REAR ROOF ANTENNA

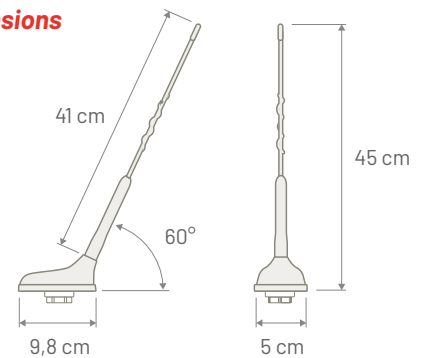
P/N: 7677840

| | AM / FM | DAB | GNSS |
|--------------|-----------------------|--------------------|-----------------------------------|
| Connector | FAKRA Male White | FAKRA Male Black | FAKRA Male Blue |
| Cable Type | RG 174 | RG 174 | RG 174 |
| Cable Length | 180 mm | 200 mm | 220 mm |
| Power Supply | 12 Volt Dedicated | 12 Volt Dedicated | 3 - 5 Volt Phantom |
| Consumption | 75 mA max | 75 mA max | 45 mA max |
| Impedance | 50 Ω | 50 Ω | 50 Ω |
| Gain | -- | 12 dBi | 32 dBi |
| VSWR | AM: < 5:1 / FM: < 8:1 | < 5:1 | 2:1 |
| Rod Length | 410 mm | Base Angle | 60 degree |
| Rod Thread | M6 | Protection Class | IP67 |
| Rod Type | Antinoise | Coachwork drilling | Square: 15 x 15 mm - Round: 19 mm |

Note



Dimensions



TRIPLEX SHORT ROD

NEW

REAR ROOF ANTENNA

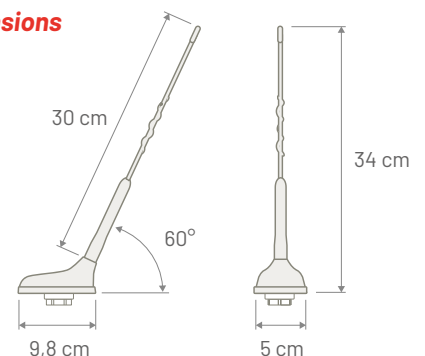
P/N: 7677845

| | AM / FM | DAB | GNSS |
|--------------|---------------------|--------------------|-----------------------------------|
| Connector | FAKRA Male White | FAKRA Male Black | FAKRA Male Blue |
| Cable Type | RG 174 | RG 174 | RG 174 |
| Cable Length | 225 mm | 260 mm | 270 mm |
| Power Supply | 12 Volt Dedicated | 12 Volt Dedicated | 3 - 5 V Phantom |
| Consumption | 75 mA max | 75 mA max | 45 mA max |
| Impedance | 50 Ω | 50 Ω | 50 Ω |
| Gain | -- | 0 dBi | 30 dBi |
| VSWR | AM: 5:1 / FM: 7,5:1 | 3,5:1 | 1,5:1 |
| Rod Length | 300 mm | Base Angle | 60 degree |
| Rod Thread | M6 | Protection Class | IP67 |
| Rod Type | Antinoise | Coachwork drilling | Square: 15 x 15 mm - Round: 19 mm |

Note



Dimensions



COMBI RADIO

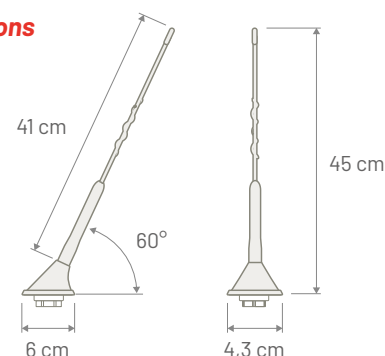
REAR ROOF ANTENNA

| P/N: 7677850 | AM / FM | | DAB | |
|--------------|---------------------|--------------------|-----------------------------------|--|
| Connector | FAKRA Male White | | FAKRA Male Black | |
| Cable Type | RG 174 | | RG 174 | |
| Cable Length | 180 mm | | 200 mm | |
| Power Supply | 12 Volt Dedicated | | 12 Volt Dedicated | |
| Consumption | 50 mA max | | 50 mA max | |
| Impedance | 50 Ω | | 50 Ω | |
| Gain | -- | | 12 dBi | |
| VSWR | AM: 5:1 / FM: 7,5:1 | | < 3:1 | |
| Rod Length | 410 mm | Base Angle | 60 degree | |
| Rod Thread | M6 | Protection Class | IP68 | |
| Rod Type | Antinoise | Coachwork drilling | Square: 15 x 15 mm - Round: 19 mm | |

Note



Dimensions



COMBI RADIO SHORT ROD

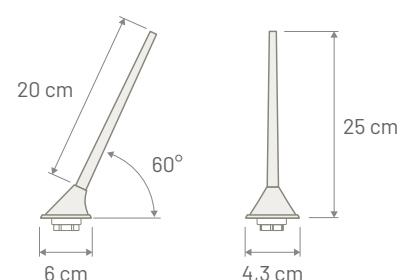
REAR ROOF ANTENNA

| P/N: 7677855 | AM / FM | | DAB | |
|--------------|---------------------|--------------------|-----------------------------------|--|
| Connector | FAKRA Male White | | FAKRA Male Black | |
| Cable Type | RG 174 | | RG 174 | |
| Cable Length | 180 mm | | 200 mm | |
| Power Supply | 12 Volt Dedicated | | 12 Volt Dedicated | |
| Consumption | 50 mA max | | 50 mA max | |
| Impedance | 50 Ω | | 50 Ω | |
| Gain | -- | | 0 dBi | |
| VSWR | AM: 5:1 / FM: 7,5:1 | | < 3:1 | |
| Rod Length | 200 mm | Base Angle | 60 degree | |
| Rod Thread | M5 | Protection Class | IP68 | |
| Rod Type | Smooth | Coachwork drilling | Square: 15 x 15 mm - Round: 19 mm | |

Note



Dimensions



DAB PASSIVE

REAR ROOF ANTENNA

P/N: 7677860

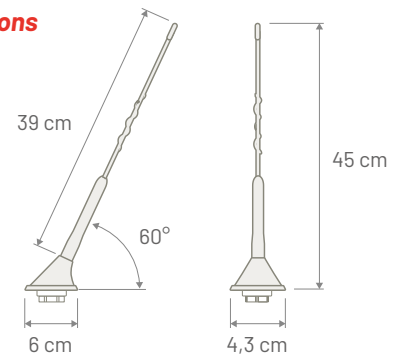
DAB

| | | | |
|--------------|------------------|--------------------|-----------------------------------|
| Connector | FAKRA Male Black | | |
| Cable Type | RG 174 | | |
| Cable Length | 100 mm | | |
| Impedance | 50 Ω | | |
| Gain | 2 dBi | | |
| VSWR | < 3,5:1 | | |
| Rod Length | 390 mm | Base Angle | 60 degree |
| Rod Thread | M5 | Protection Class | IP68 |
| Rod Type | Antinoise | Coachwork drilling | Square: 15 x 15 mm - Round: 19 mm |

Note



Dimensions



16V SHORT ROD DAB READY

REAR ROOF

P/N: 7677865

AM / FM

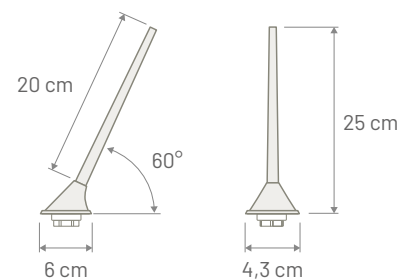
| | | | |
|--------------|------------------|--------------------|-----------------------------------|
| Connector | FAKRA Male White | | |
| Cable Type | RG 174 | | |
| Cable Length | 180 mm | | |
| Impedance | FM: 50 Ω | | |
| Gain | -- | | |
| VSWR | FM: < 3:1 | | |
| Rod Length | 200 mm | Base Angle | 60 degree |
| Rod Thread | M5 | Protection Class | IP68 |
| Rod Type | Smooth | Coachwork drilling | Square: 15 x 15 mm - Round: 19 mm |

Note

To enable DAB reception an Active or Passive Splitter is needed (see SERVICE BOX chapter)



Dimensions



16V RADIO 60°

60° PASSIVE ANTENNA

AVAILABLE VERSIONS

| | TYPE | POWER SUPPLY | ROD TYPE |
|----------------------|---------|----------------|-----------|
| P/N: 7677870 - RADIO | Passive | -- | Smooth |
| P/N: 7677872 - RADIO | Active | 12 V Phantom | Smooth |
| P/N: 7677874 - RADIO | Active | 12 V Dedicated | Antinoise |

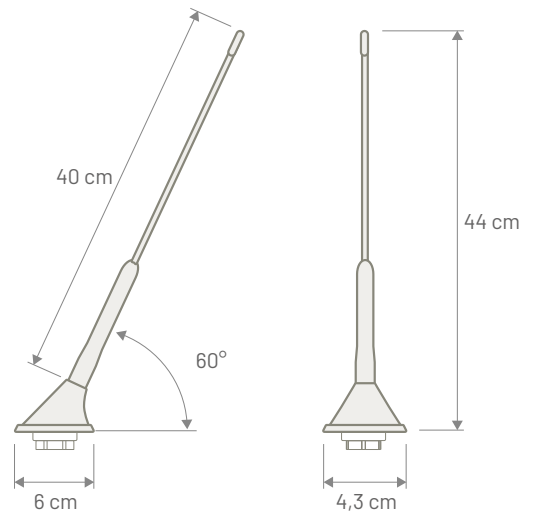
TECHNICAL SPECIFICATION

| AM / FM | |
|--------------------|-----------------------------------|
| Connector | FAKRA Male White |
| Cable Type | RG 174 |
| Cable Length | 180 mm |
| Consumption | 60 mA max (only active antennas) |
| Impedance | -- |
| Gain | -- |
| VSWR | -- |
| Rod Length | 405 mm |
| Rod Thread | M5 |
| Base Angle | 60 degree |
| Protection Class | IP68 |
| Coachwork drilling | Square: 15 x 15 mm - Round: 19 mm |

Note



Dimensions



16V RADIO 60° ANTITHEFT

REAR ROOF

P/N: 7677876

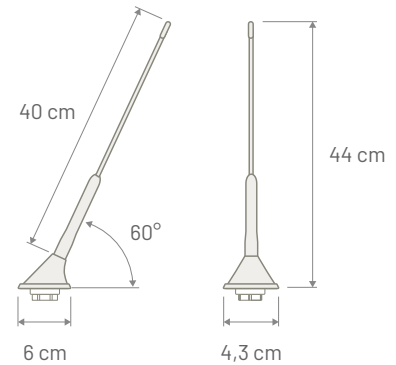
AM / FM

| | | | |
|--------------|------------------|--------------------|-----------------------------------|
| Connector | FAKRA Male White | | |
| Cable Type | RG 174 | | |
| Cable Length | 180 mm | | |
| Power Supply | 12 Volt Phantom | | |
| Consumption | 60 mA max | | |
| Impedance | FM: 50 Ω | | |
| Gain | -- | | |
| VSWR | FM: < 4,5:1 | | |
| Rod Length | 405 mm | Protection Class | IP68 |
| Base Angle | 60 degree | Coachwork drilling | Square: 15 x 15 mm - Round: 19 mm |

Note Rod Antitheft System is Patented by Calearo



Dimensions



16V RADIO 45°

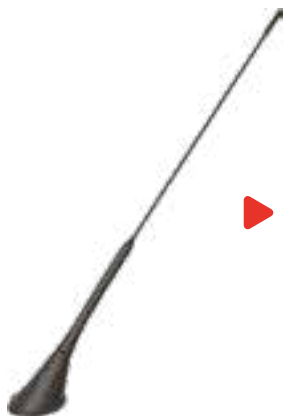
FRONT ROOF

P/N: 7677882

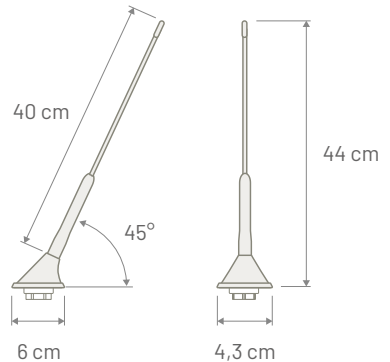
AM / FM

| | | | |
|--------------|------------------|--------------------|-----------------------------------|
| Connector | FAKRA Male White | | |
| Cable Type | RG 174 | | |
| Cable Length | 180 mm | | |
| Impedance | -- | | |
| Gain | -- | | |
| Rod Length | 405 mm | Base Angle | 45 degree |
| Rod Thread | M5 | Protection Class | IP68 |
| Rod Type | Smooth | Coachwork drilling | Square: 15 x 15 mm - Round: 19 mm |

Note



Dimensions



16V RADIO 76°

REAR ROOF

AVAILABLE VERSIONS

| | TYPE | POWER SUPPLY | ROD TYPE |
|----------------------|---------|---------------|----------|
| P/N: 7677878 - RADIO | Passive | -- | Smooth |
| P/N: 7677880 - RADIO | Active | 12V Dedicated | Smooth |

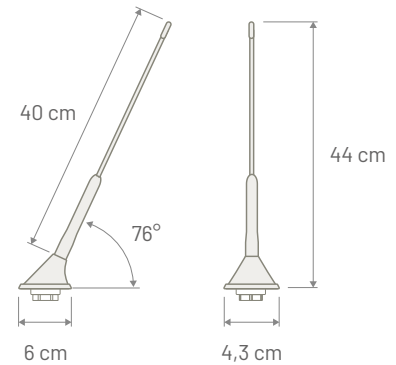
TECHNICAL SPECIFICATION

| AM / FM | |
|--------------------|-----------------------------------|
| Connector | FAKRA Male White |
| Cable Type | RG 174 |
| Cable Length | 180 mm |
| Consumption | 60 mA max (only active antennas) |
| Impedance | -- |
| Gain | -- |
| VSWR | -- |
| Rod Length | 405 mm |
| Rod Thread | M5 |
| Base Angle | 76 degree |
| Protection Class | IP68 |
| Coachwork drilling | Square: 15 x 15 mm - Round: 19 mm |

Note



Dimensions



RADIO FORD

WITHOUT EXTENSION CABLE

P/N: 7657009

AM / FM

| | | | |
|------------|--------|--------------------|--------------------------------|
| Impedance | -- | Protection Class | IP68 |
| Gain | -- | Mounting | Customized for original hole |
| Rod Length | 400 mm | Coachwork drilling | A: Ø 4,7 mm B: Ø 8 mm D: 14 mm |
| Rod Thread | M6 | Note | Passive antenna |



RADIO FIAT GROUP > 2001

WITHOUT EXTENSION CABLE

P/N: 7657015

AM / FM

| | | | |
|------------|--------|--------------------|------------------------------|
| Impedance | -- | Protection Class | IP68 |
| Gain | -- | Mounting | Customized for original hole |
| Rod Length | 400 mm | Coachwork drilling | A: M6 |
| Rod Thread | M6 | Note | Passive antenna |



RADIO FIAT COMMERCIAL VEHICLES - PEUGEOT

WITHOUT EXTENSION CABLE

P/N: 7657019

AM / FM

| | | | |
|------------|--------|--------------------|------------------------------|
| Impedance | -- | Protection Class | IP68 |
| Gain | -- | Mounting | Customized for original hole |
| Rod Length | 400 mm | Coachwork drilling | A: M6 |
| Rod Thread | M6 | Note | Passive antenna |



RADIO FIAT GROUP 2002 >

WITHOUT EXTENSION CABLE

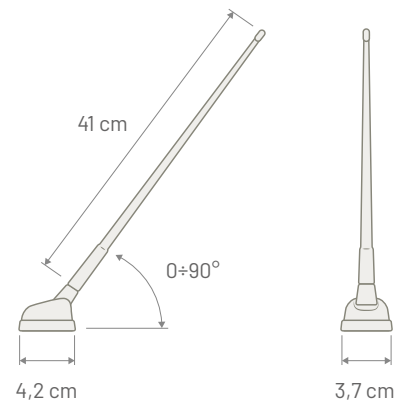
P/N: 7657021

AM / FM

| | | | |
|------------|--------|--------------------|------------------------------|
| Impedance | -- | Protection Class | IP68 |
| Gain | -- | Mounting | Customized for original hole |
| Rod Length | 400 mm | Coachwork drilling | A: Ø 10,2 mm |
| Rod Thread | M6 | Note | Passive antenna |



Dimensions



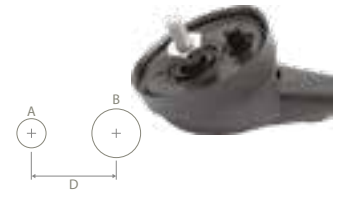
RADIO UNIVERSAL

WITH EXTENSION CABLE

P/N: 7657008

AM / FM

| | | | |
|--------------|----------|--------------------|--------------------------------|
| Connector | DIN Male | Rod Length | 400 mm |
| Cable Type | AR 7 | Rod Thread | M6 |
| Cable Length | 2450 mm | Protection Class | IP68 |
| Impedance | 130 Ω | Mounting | Universal |
| Gain | -- | Coachwork drilling | A: Ø 4,7 mm B: Ø 8 mm D: 14 mm |



Note Passive antenna

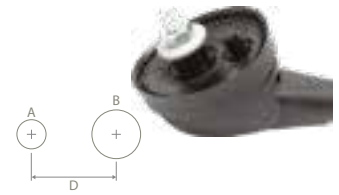
RADIO UNIVERSAL

WITH EXTENSION CABLE

P/N: 7657016

AM / FM

| | | | |
|--------------|----------|--------------------|-----------------------------------|
| Connector | DIN Male | Rod Length | 400 mm |
| Cable Type | AR 7 | Rod Thread | M6 |
| Cable Length | 2450 mm | Protection Class | IP68 |
| Impedance | 130 Ω | Mounting | Universal |
| Gain | -- | Coachwork drilling | A: Ø 4,7 mm B: Ø 10,2 mm D: 14 mm |



Note Passive antenna

RADIO FIAT GROUP 2002 >

WITH EXTENSION CABLE

P/N: 7657020

AM / FM

| | | | |
|--------------|----------|--------------------|------------------------------|
| Connector | DIN Male | Rod Length | 400 mm |
| Cable Type | AR 7 | Rod Thread | M6 |
| Cable Length | 2700 mm | Protection Class | IP68 |
| Impedance | 130 Ω | Mounting | Customized for original hole |
| Gain | -- | Coachwork drilling | A: Ø 10,2 mm |



Note Passive antenna

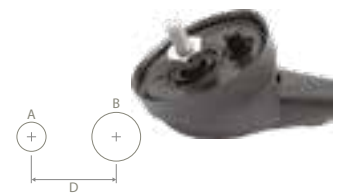
RADIO UNIVERSAL

WITH EXTENSION CABLE

P/N: 7651006

AM / FM

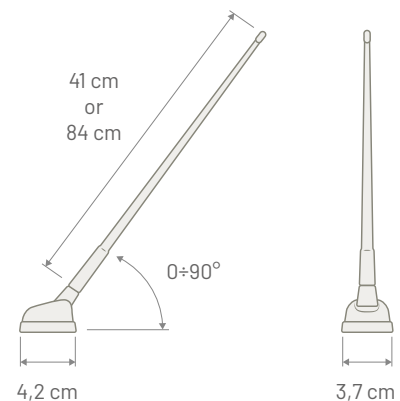
| | | | |
|--------------|----------|--------------------|--------------------------------|
| Connector | DIN Male | Rod Length | 850 mm |
| Cable Type | AR 7 | Rod Thread | M6 |
| Cable Length | 2450 mm | Protection Class | IP68 |
| Impedance | 130 Ω | Mounting | Universal |
| Gain | -- | Coachwork drilling | A: Ø 4,7 mm B: Ø 8 mm D: 14 mm |



Note Passive antenna



Dimensions



FLEXI TE BASE

ROOF / PILLAR

| | CONNECTOR | CABLE TYPE | CABLE LENGTH |
|--------------------------------|-----------|------------|--------------|
| P/N: 7667010 - RADIO DAB READY | DIN Male | RG 58 | 2500 mm |
| P/N: 7667011 - RADIO DAB READY | DIN Male | RG 58 | 1500 mm |

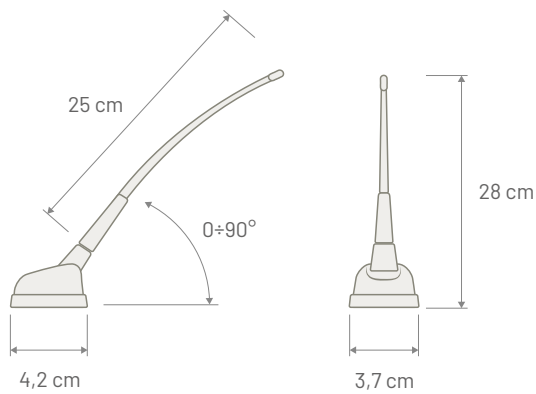
TECHNICAL SPECIFICATION

| | AM / FM |
|--------------------|---|
| Impedance | 50 Ω |
| Gain | -- |
| Rod Length | 240 mm |
| Rod Thread | M6 |
| Rod Type | Rubber - High flessnessibility - Heavy duty |
| Protection Class | IP68 |
| Coachwork drilling | A: Ø 4,7 mm B: Ø 8 mm D: 14 mm |

Note To enable DAB reception an Active or Passive Splitter is needed (see SERVICE BOX chapter)



Dimensions



Coachwork Drilling



FLEXI SPHERIC BASE

ROOF / PILLAR

| | CONNECTOR | CABLE TYPE | CABLE LENGTH |
|--------------------------------|-----------|------------|--------------|
| P/N: 7667012 - RADIO DAB READY | DIN Male | RG 58 | 2500 mm |
| P/N: 7667013 - RADIO DAB READY | DIN Male | RG 58 | 1500 mm |

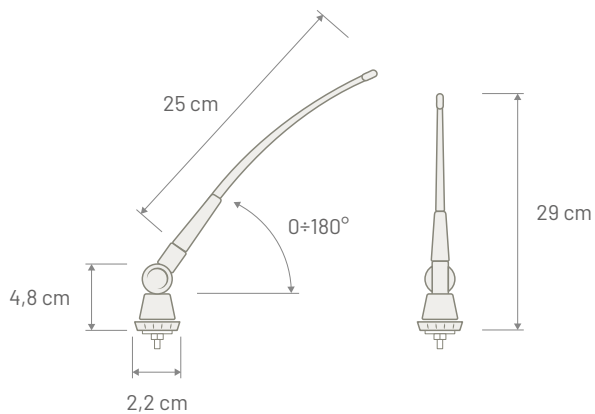
TECHNICAL SPECIFICATION

| | AM / FM |
|--------------------|---|
| Impedance | 50 Ω |
| Gain | -- |
| Rod Length | 240 mm |
| Rod Thread | M6 |
| Rod Type | Rubber - High flessnessibility - Heavy duty |
| Protection Class | IP68 |
| Coachwork drilling | Round 9 mm |

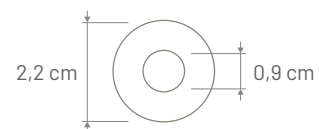
Note To enable DAB reception an Active or Passive Splitter is needed (see SERVICE BOX chapter)



Dimensions



Coachwork Drilling



RADIO PILLAR

TELESCOPIC ANTENNA

P/N: 7627008

AM / FM

| | |
|--------------------|--------------------------------|
| Connector | DIN Male |
| Cable Type | COAXIAL |
| Cable Length | 1500 mm |
| Impedance | 130 Ω |
| Rod Length | Min: 445 mm - Max: 1240 mm |
| Rod Type | 3 elements INOX telescopic rod |
| Mounting | Pillar |
| Coachwork drilling | Round 10 mm |

Note



Dimensions



RADIO FENDER

TELESCOPIC ANTENNA

P/N: 7677153

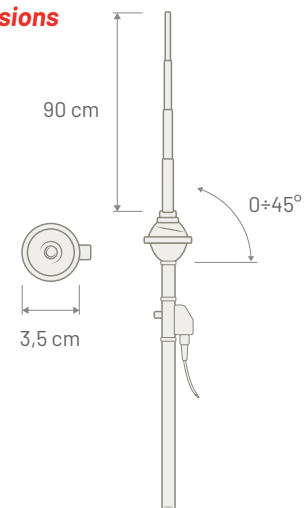
AM / FM

| | |
|--------------------|--------------------------------------|
| Connector | DIN Male |
| Cable Type | COAXIAL |
| Cable Length | 1500 mm |
| Impedance | 130 Ω |
| Rod Length | 85 cm |
| Rod Type | 4 elements INOX telescopic rod |
| Rod Angle | Max 45 degree from vertical position |
| Mounting | Fender |
| Coachwork drilling | Round 17 mm |

Note



Dimensions



TELESCOPE ELECTRIC ANTENNA NEW

MOTORIZED PILLAR ANTENNA

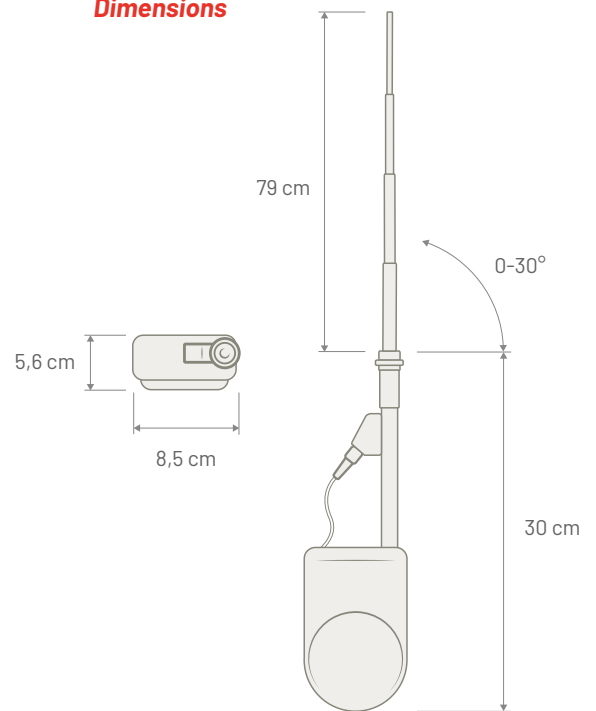
| COLOR TELESCOPIC ROD | |
|--------------------------|-------|
| P/N: 7677154 - MOTORIZED | INOX |
| P/N: 7677155 - MOTORIZED | BLACK |

| TECHNICAL SPECIFICATION | |
|-------------------------|---|
| AM / FM | |
| Connector | DIN Male |
| Cable Type | 3C-2V |
| Cable Length | 1400 mm |
| Power Supply | 12 Volt Dedicated |
| Consumption | 36 watt max |
| Impedance | 50 Ω |
| Rod Length | 790 mm |
| Rod Type | 5 elements stainless steel telescopic rod |
| Rod Angle | Max 30 degree from vertical position |
| Coachwork drilling | Round 14,5 mm |

Note



Dimensions



NEW LIGHT RADIO SERIES NEW

INTERNAL ON-GLASS ANTENNA

AVAILABLE VERSIONS

| | AM / FM | DAB |
|------------------------------|---------|-----|
| P/N: 7677925 - COMBI RADIO | • | • |
| P/N: 7677926 - RADIO | • | |
| P/N: 7677929 - DAB EVOLUTION | | • |

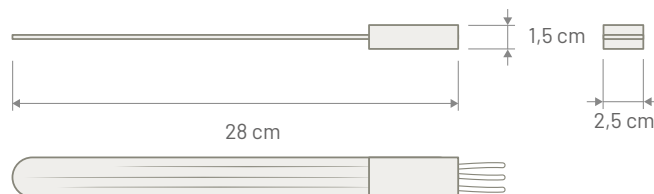
TECHNICAL SPECIFICATION

| | AM / FM | DAB |
|------------------|----------------------------|------------------|
| Connector | FAKRA Male White | FAKRA Male Black |
| Cable Type | RG 174 | RG 174 |
| Cable Length | 150 mm | 150 mm |
| Power Supply | 12 Volt Phantom | 12 Volt Phantom |
| Consumption | 90 mA max | 90 mA max |
| Impedance | 50 Ω | 50 Ω |
| Gain | -- | 8 dBi |
| VSWR | FM: < 3:1 | < 2:1 |
| Protection Class | IP41 | |
| Mounting | Internal adhesive on-glass | |

Note Amplifier must be powered from both AM / FM and DAB connector



Dimensions



LIGHT DAB

INTERNAL ON-GLASS ANTENNA

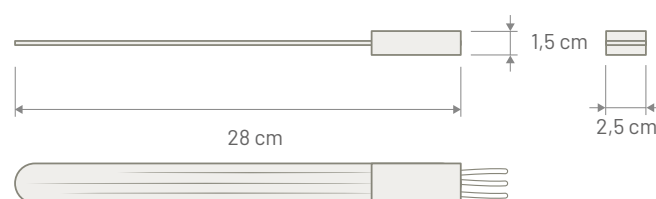
P/N: 7677938

DAB

| | |
|------------------|----------------------------|
| Connector | FAKRA Female Black |
| Cable Type | RG 174 |
| Cable Length | 3000 mm |
| Power Supply | 12 Volt Phantom |
| Consumption | 35 mA max |
| Impedance | -- |
| Gain | 4 dBi |
| VSWR | -- |
| Protection Class | IP34 |
| Mounting | Adhesive internal on glass |

Note FAKRA Male Waterblue (Universal code) > SMB Female 90° adapter cable included in the package

Dimensions



LIGHT TV

INTERNAL ON-GLASS ANTENNA

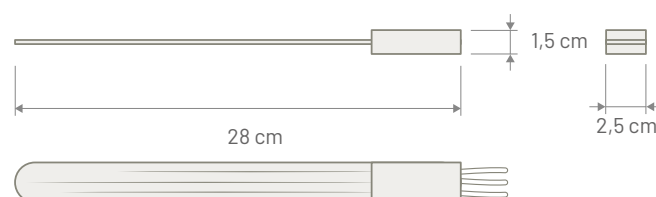
P/N: 7137122

DTV

| | |
|------------------|----------------------------|
| Connector | MINI JACK Male 3,5 Mm |
| Cable Type | RX 174 |
| Cable Length | 3000 mm |
| Power Supply | 12 Volt Dedicated |
| Consumption | 35 mA max |
| Impedance | 75 Ω |
| Gain | 6 dBi |
| Protection Class | IP34 |
| Mounting | Adhesive internal on glass |

Note

Dimensions



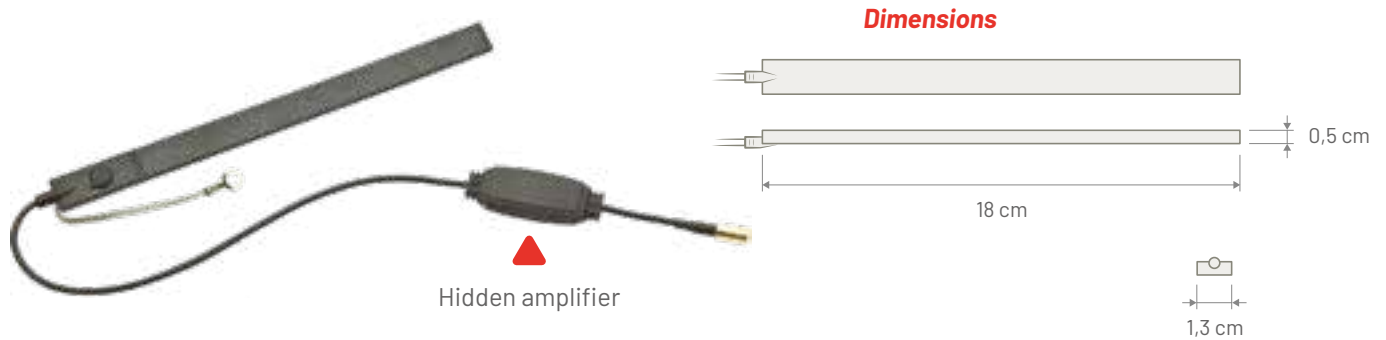
RUBBER DAB

INTERNAL ON-GLASS ANTENNA

P/N: 7137134

| DAB | |
|--------------|----------------------------|
| Connector | SMB Female 90° |
| Cable Type | RG 174 |
| Cable Length | 3500 mm |
| Power Supply | 12 volt Phantom |
| Consumption | 35 mA max |
| Impedance | 50 Ω |
| Gain | 6 dBi |
| VSWR | 1.8 typical |
| Mounting | Adhesive internal on glass |

Note



WHISKER AM / FM

INTERNAL ON-GLASS ANTENNA

AVAILABLE VERSIONS

P/N: 7697015 - WHISKER DIN

P/N: 7697018 - WHISKER FAKRA

| CONNECTOR | CABLE LENGTH | POWER SUPPLY |
|--------------------|--------------|-------------------|
| DIN Male | 2400 mm | 12 volt Dedicated |
| FAKRA Female White | 2400 mm | 12 volt Phantom |

TECHNICAL SPECIFICATION

| AM / FM | |
|-------------|----------------------------|
| Consumption | 40 mA max |
| Impedance | 75 Ω |
| Gain | -- |
| VSWR | < 3,0:1 |
| Mounting | Adhesive internal on glass |

Note AM and FM double amplification



FOIL COMBI RADIO NEW

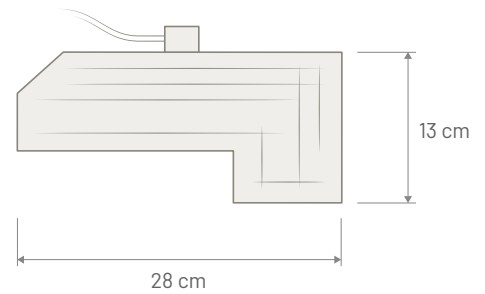
BUMPER, PLASTIC AND FIBERGLASS SURFACE MOUNTING

| P/N: 7677955 | AM / FM | DAB |
|------------------|--|------------------|
| Connector | FAKRA Male White | FAKRA Male Brown |
| Cable Type | -- | -- |
| Cable Length | -- | -- |
| Power Supply | 12 Volt Phantom | 12 Volt Phantom |
| Consumption | 60 mA max | 60 mA max |
| Impedance | 50 Ω | 50 Ω |
| Gain | -- | 8 dBi |
| VSWR | FM: 2,1 : 1 | 1,7 : 1 |
| Protection Class | Amplifier IP67 | |
| Mounting | Antenna: internal adhesive; Amplifier: screw fastening | |

Note Amplifier must be powered from both AM / FM and DAB connector



Dimensions

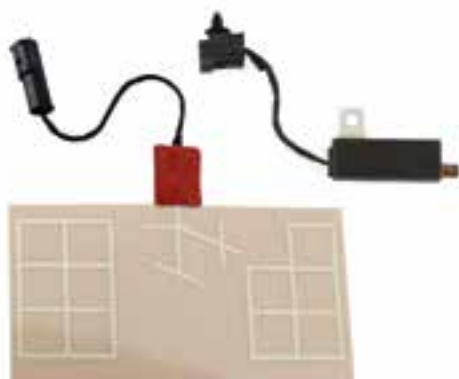


FOIL DAB

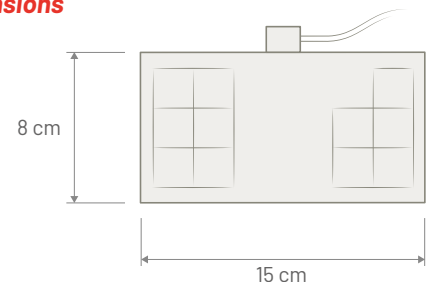
BUMPER, PLASTIC AND FIBERGLASS SURFACE MOUNTING

| P/N: 7677951 | DAB |
|------------------|---|
| Connector | FAKRA Male Brown |
| Power Supply | 12 volt Phantom |
| Consumption | 60 mA max |
| Impedance | 50 Ω |
| Gain | 10 dBi |
| VSWR | < 2:1 |
| Protection Class | IP67 |
| Mounting | Foil: adhesive internal on bumper and other plastic and fiberglass parts Amplifier: screw to the metallic part |

Note



Dimensions



TELEMATICS

| | |
|----------------------|----|
| RADOME COMPACT | 36 |
| SHARK 2 | 37 |
| ON ROOF | 38 |
| MAGNETIC | 38 |
| LUNEX | 39 |
| INTERNAL | 40 |
| LOCATIONING | 41 |

Calearo continuously strive to offering a wide range of antennas able to optimize mobile communication, localitoning and data transmission in order to guarantee the best performance for any personal, commercial, emergencies and duty application.



AVAILABLE VERSIONS

| | GSM - UMTS - LTE | WIFI - BT | WIFI DUALBAND - BT | GNSS |
|--------------------------------|------------------|-----------|--------------------|------|
| P/N: 7770057 - COMLOC | • | • | | • |
| P/N: 7770058 - COMLOC MIMO 3x | 3x | | • | • |
| P/N: 7770059 - COMLOC MIMO 2x2 | 2x | 2x | | • |

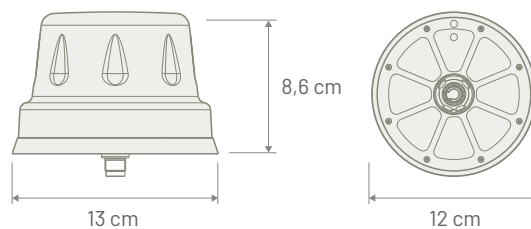
TECHNICAL SPECIFICATION

| | GSM - UMTS - LTE | WIFI - BT | WIFI DUALBAND - BT | GNSS |
|--------------------|-----------------------------------|-----------------------------|-----------------------------|-----------------|
| Connector | FAKRA Male Bordeaux | FAKRA Male Violet | FAKRA Male Violet | FAKRA Male Blue |
| Cable Type | RG 174 | RG 174 | RG 174 | RG 174 |
| Cable Length | 190 mm | 190 mm | 190 mm | 190 mm |
| Power Supply | -- | -- | -- | 3 - 5 V |
| Consumption | -- | -- | -- | 15 - 45 mA |
| Impedance | 50 Ω | 50 Ω | 50 Ω | 50 Ω |
| Gain | Peak: 4 dBi Average: -4 dBi | Peak: 3 dBi Average: -2 dBi | Peak: 4 dBi Average: -1 dBi | 28 dBi |
| VSWR | 2,5:1 | 1,8:1 | 1,8:1 | 1,5:1 |
| Max Power | 4 Watt | 4 Watt | 4 Watt | -- |
| Protection Class | IP69 | | | |
| Mounting | On roof | | | |
| Coachwork drilling | Square: 15 x 15 mm - Round: 19 mm | | | |

Note



Dimensions



SHARK 2

ROOF ANTENNA

AVAILABLE VERSIONS

P/N: 7727098 - SHARK 2 COMLOC

P/N: 7727099 - SHARK 2 COMLOC WIFI

| | GSM - UMTS - LTE | WIFI DUAL BAND | GNSS |
|------------------------------------|------------------|----------------|------|
| P/N: 7727098 - SHARK 2 COMLOC | • | | • |
| P/N: 7727099 - SHARK 2 COMLOC WIFI | • | • | • |

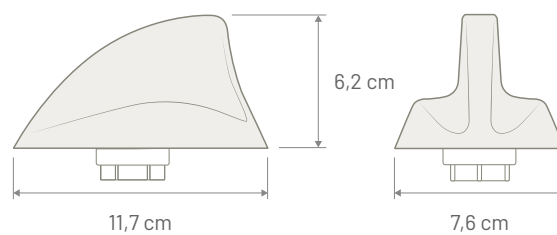
TECHNICAL SPECIFICATION

| | GSM - UMTS - LTE | WIFI DUAL BAND | GNSS |
|--------------------|-----------------------------------|-----------------------------|--------------------|
| Connector | FAKRA Male Bordeaux | FAKRA Male Violet | FAKRA Male Blue |
| Cable Type | RG 174 | RG 174 | RG 174 |
| Cable Length | 290 mm | 120 mm | 290 mm |
| Power Supply | -- | -- | 3 - 5 Volt Phantom |
| Consumption | -- | -- | 45 mA max |
| Impedance | 50 Ω | 50 Ω | 50 Ω |
| Gain | LTE: Peak 4 dBi Average: -4 dBi | Peak: 4 dBi Average: -1 dBi | 30 dB |
| VSWR | LTE: 2.5:1 | 2:1 | 2:1 |
| Max Power | 4 W | 4 W | -- |
| Protection Class | IP67 | | |
| Mounting | On roof mounting | | |
| Coachwork drilling | Square: 15 x 15 mm - Round: 19 mm | | |

Note



Dimensions



LAMBDA QUARTER

ROOF ANTENNA

AVAILABLE VERSIONS

| | CONNECTOR | CABLE LENGHT | CABLE TYPE |
|---------------------------------------|-------------------------|--------------|------------|
| P/N: 7681052 - LAMBDA QUARTER | FME Female - FME Female | 5000 mm | RG 58 |
| P/N: 8610028 - LAMBDA QUARTER BRACKET | FME Female - SMA Male | 5000 mm | LOW LOSS |

TECHNICAL SPECIFICATION

AMPS - GSM - DCS - UMTS

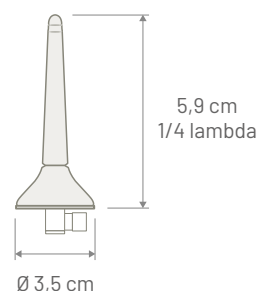
| | | | |
|-----------|-----------------------|--------------------|--------------|
| Connector | FME Male | Max Power | 8 Watt |
| Impedance | 50 Ω | Protection Class | IP64 |
| Gain | 2,15 dBi | Mounting | On roof |
| VSWR | TX ≤ 2:1 - RX ≤ 2,5:1 | Coachwork drilling | Round: 14 mm |

Note

P/N 8610028: supplied with a special bracket for on wall/on mast mounting



Dimensions



Magnetic

MAGNETIC EVOLUTION^{LTE}

ROOF ANTENNA

AVAILABLE VERSIONS

| | CONNECTOR | CABLE LENGHT | CABLE TYPE |
|--------------------------------------|------------|--------------|------------|
| P/N: 8610146 - MAG EVO 4G | N Male | 3000 mm | RG 174 |
| P/N: 8610147 - MAG EVO 4G NEW | SMA Male | 3000 mm | RG 174 |
| P/N: 8610148 - MAG EVO 4G NEW | FME Female | 3000 mm | RG 174 |

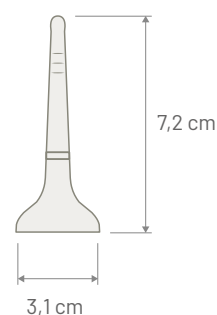
TECHNICAL SPECIFICATION

| | ISM - LTE - GSM | DCS - PCS - UMTS | LTE - WIFI - BLUETOOTH |
|--------------------|-----------------|------------------|------------------------|
| Frequency | 698 ÷ 960 MHz | 1710 ÷ 2170 MHz | 2500 - 2700 MHz |
| Impedance | 50 Ω | | 50 Ω |
| Gain | 1.0 dBi | 2.4 dBi | 2.1 dBi |
| VSWR | ~ 1.9:1 | ~ 1.5:1 | ~ 1.3:1 |
| Max Power | 50 Watt | 50 Watt | 50 Watt |
| Protection Class | IP68 | | |
| Coachwork drilling | Magnetic mount | | |

Note



Dimensions

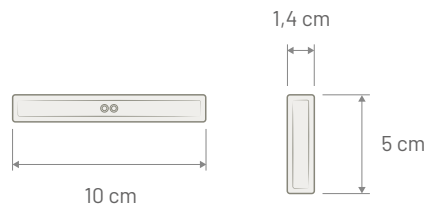


| P/N: 7731010 | GSM - UMTS - LTE | GNSS |
|------------------|-------------------------------------|--------------------|
| Connector | FAKRA Male Bordeaux | FAKRA Male Blue |
| Cable Type | RG 174 | RG 174 |
| Cable Length | 210 mm | 210 mm |
| Power Supply | -- | 3 - 5 Volt Phantom |
| Consumption | -- | 19 - 36 mA |
| Impedance | 50 Ω | 50 Ω |
| Gain | - 5 dBi | 29 dBi |
| VSWR | GSM: 3.5:1 - UMTS: 2:1 - LTE: 2.5:1 | 2:1 |
| Protection Class | IP41 | |
| Mounting | Internal adhesive mounting | |

Note



Dimensions



RUBBER^{LTE}

INTERNAL ANTENNA

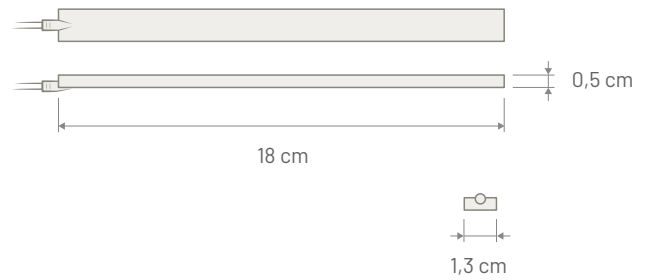
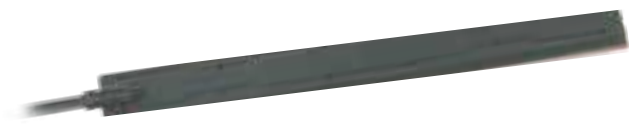
P/N: 7681080

GSM - UMTS - LTE

| | |
|------------------|----------------------------|
| Connector | FAKRA Male Bordeaux |
| Cable Type | RG 174 |
| Cable Length | 110 mm |
| Impedance | 50 Ω |
| Gain | -4 dBi |
| VSWR | 3,2:1 |
| Protection Class | IP67 |
| Mounting | Internal adhesive mounting |

Note

Dimensions



RUBBER^{LTE HP} NEW

INTERNAL ANTENNA

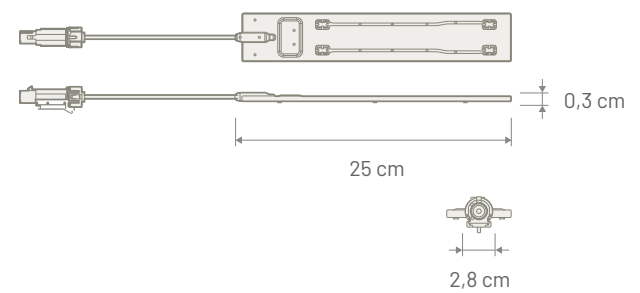
P/N: 7681095

GSM - UMTS - LTE

| | |
|------------------|--------------------------------|
| Connector | FAKRA Male Bordeaux Waterproof |
| Cable Type | RG 174 |
| Cable Length | 110 mm |
| Power Supply | -- |
| Consumption | -- |
| Impedance | 50 Ω |
| Gain | -3 dBi |
| VSWR | 3,2:1 |
| Protection Class | IP67 |
| Mounting | Internal adhesive mounting |

Note

Dimensions



NAVI SMALL

INTERNAL ANTENNA

AVAILABLE VERSIONS

| | CONNECTOR | CABLE LENGHT | CABLE TYPE |
|---------------------------|-------------------|--------------|------------|
| P/N: 7750004 - NAVI SMALL | SMB Female | 3500 mm | RG 174 |
| P/N: 7750006 - NAVI SMALL | FAKRA Female Blue | 3500 mm | RG 174 |

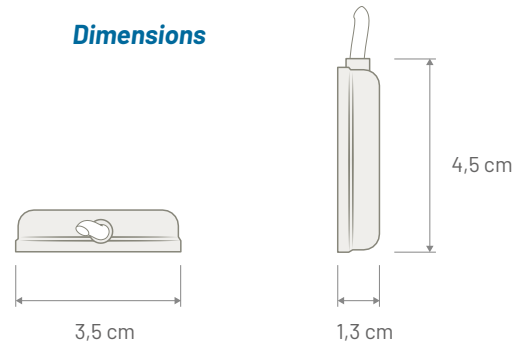
TECHNICAL SPECIFICATION

| GNSS | |
|------------------|----------------------------|
| Power Supply | 3 - 5 Volt Phantom |
| Consumption | 22 mA max |
| Impedance | 50 Ω |
| Gain | ≥ 22 dBi |
| VSWR | < 2.1 |
| Protection Class | IP52 |
| Mounting | Internal adhesive mounting |

Note



Dimensions



NAVI

UNIVERSAL ANTENNA

AVAILABLE VERSIONS

| | CONNECTOR | CABLE LENGHT | CABLE TYPE |
|--------------------------------|-------------------|--------------|------------|
| P/N: 7757001 - NAVI NEW | SMB Female | 3500 mm | RG 174 |
| P/N: 7757006 - NAVI NEW | FAKRA Female Blue | 3500 mm | RG174 |

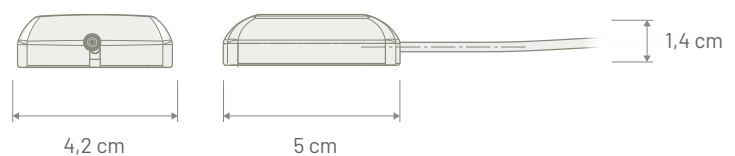
TECHNICAL SPECIFICATION

| GNSS | |
|------------------|--|
| Power Supply | 3 - 5 Volt Phantom |
| Consumption | 45 mA max |
| Impedance | 50 Ω |
| Gain | 28 dB |
| VSWR | 1,5:1 |
| Protection Class | IP69k |
| Mounting | Internal and external - Magnetic and adhesive mounting |

Note



Dimensions



CRITICAL

| | |
|--------------------------|----|
| RADOME | 44 |
| EMERGENCY SERVICES | 45 |
| 16 V | 46 |
| SHARK 2 | 49 |
| RSA | 50 |
| QUAD | 52 |

Calearo keep an extensive focus on special frequencies used by radio taxi operators, professional communications, police and emergency services. Antennas are available with single and multifunction guarantee functional efficiency and simple installation as well as full integration into the vehicle.



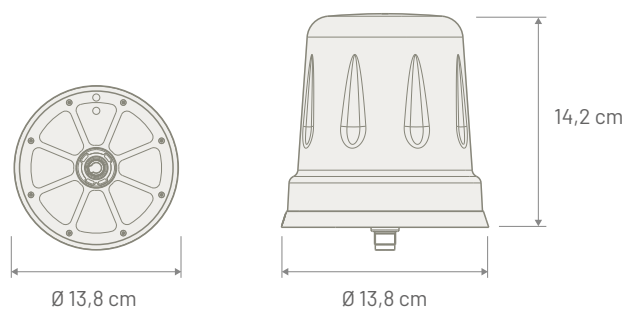
AVAILABLE VERSIONS

| | GSM/UMTS/LTE | WIFI/BT | TETRA | UHF | GNSS |
|-----------------------------|-----------------------------------|--------------------------------|------------------|------------------|--------------------|
| P/N: 7771050 - QUAD | • | • | • | | • |
| P/N: 7771060 - TRIPLEX | | • | • | | • |
| P/N: 7771070 - DUPLEX UHF | | | | • | • |
| P/N: 7771080 - DUPLEX TETRA | | | • | | • |
| Connector | FAKRA Male Bordeaux | FAKRA Male Violet | FAKRA Male Green | FAKRA Male Green | FAKRA Male Blu |
| Cable Type | RG 174 | RG 174 | RG 174 | RG 174 | RG 174 |
| Cable Length | 250 mm | 250 mm | 250 mm | 250 mm | 220 mm |
| Power Supply | -- | -- | -- | -- | 3 - 5 Volt Phantom |
| Consumption | -- | -- | -- | -- | 45 mA max |
| Impedance | 50 Ω | 50 Ω | 50 Ω | 50 Ω | 50 Ω |
| Gain | Peak: 4 dBi Average: -4 dBi | Peak: 4 dBi Average: -1 dBi | 0 dBi | 0 dBi | 32 dBi |
| VSWR | 2,5:1 | 1,8:1 | 2:1 | 2:1 | 2:1 |
| Max Power | 4 Watt | 4 Watt | 20 Watt | 20 Watt | -- |
| Protection Class | IP69 | | | | |
| Mounting | On roof | | | | |
| Coachwork drilling | Square: 15 x 15 mm - Round: 19 mm | | | | |

Note



Dimensions



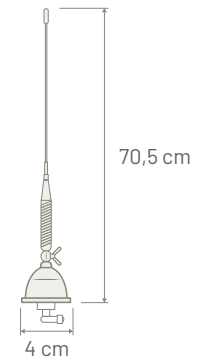
ES TUNABLE NEW

TUNABLE ANTENNA FOR EMERGENCY FREQUENCIES

| | | | |
|--------------|---|--------------------------|---------------------------|
| P/N: 7771010 | | VHF / UHF / TETRA | |
| Connector | Not mounted | | |
| Cable Type | RG 58 | | |
| Cable Length | 5000 mm | | |
| Impedance | 50 Ω | | |
| Gain | 2 dBi | | |
| VSWR | < 1,5:1 | | |
| Max Power | 100 Watt | | |
| Rod Length | 655 mm | Mounting | On roof / Pillar / Fender |
| Rod Type | Stainless Steel | Coachwork drilling | Round: 19 mm |
| Note | Omnidirectional 1/4 lambda type - Tunable rod | | |



Dimensions



ES 70/80 MHz

ROOF ANTENNA

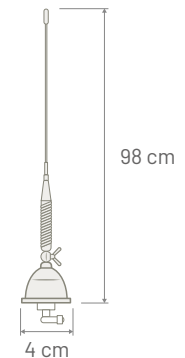
| | | | |
|--------------|--------------------------|--------------------|---------------------------|
| P/N: 7640006 | | 70/80 MHz | |
| Connector | TNC F | | |
| Cable Type | Without extension cable* | | |
| Impedance | 50 Ohm | | |
| Gain | 2 dBi | | |
| VSWR | < 1.5:1 | | |
| Max Power | 100 Watt | | |
| Rod Length | 950 mm | Mounting | On roof / Pillar / Fender |
| Rod Type | Fiberglass | Coachwork drilling | Round: 19 mm |

Note

* P/N 7583040: optional extension cable (type: RG 58 - Length: 5000 mm - Connectors: TNC Male 90°)
 Extension cable with different length or connectors available on request



Dimensions



AVAILABLE VERSIONS

| | VHF | UHF | GSM/DCS | GNSS |
|----------------------------|-----|-----|---------|------|
| P/N: 7771004 - TRIPLEX UHF | | • | • | • |
| P/N: 7771005 - TRIPLEX VHF | • | | • | • |

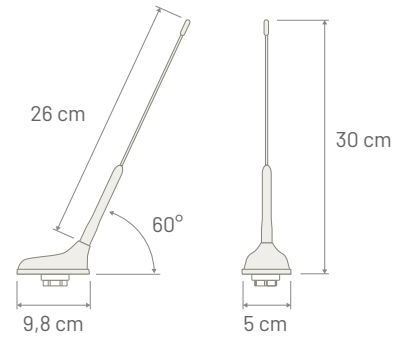
TECHNICAL SPECIFICATION

| | VHF | UHF | GSM/DCS | GNSS |
|----------------------------|---------------------------------|---------------------------------|------------------------------------|--------------------------------|
| Antenna connector | FAKRA Male Green | FAKRA Male Green | FAKRA Male Bordeaux | FAKRA Male Blue |
| Antenna cable type | RG 174 | RG 174 | RG 174 | RG 174 |
| Antenna cable length | 200 mm | 200 mm | 200 mm | 220 mm |
| Extension cable type | RG 58 | RG 58 | RG 58 | RG 174 |
| Extension cable length | 5000 mm | 5000 mm | 5000 mm | 5000 mm |
| Extension cable connectors | FAKRA Female Green - FME Female | FAKRA Female Green - FME Female | FAKRA Female Bordeaux - FME Female | FAKRA Female Blue - SMB Female |
| Power supply | -- | -- | -- | 3 - 5 Volt |
| Consumption | -- | -- | -- | 45 mA max |
| Impedance | 50 Ω | 50 Ω | 50 Ω | 50 Ω |
| Gain | 0 dBi | -1 dBi | Peak: 3 dBi / Average: -3 dBi | 30 dBi |
| VSWR | 1.5:1 | 2:1 | 3:1 | 1,5:1 |
| Max Power | 20 Watt | 10 Watt | 4 Watt | -- |
| Rod Combined Function | VHF/GSM/DCS | UHF/GSM/DCS | -- | -- |
| Rod Length | 380 mm | 260 mm | -- | -- |
| Rod Type | Antinoise | Smooth | -- | -- |
| Rod Thread | M6 | Mounting | On roof | |
| Base Angle | 60 degree | Coachwork drilling | Square: 15 x 15 mm - Round: 19 mm | |
| Protection Class | IP64 | Note | | |

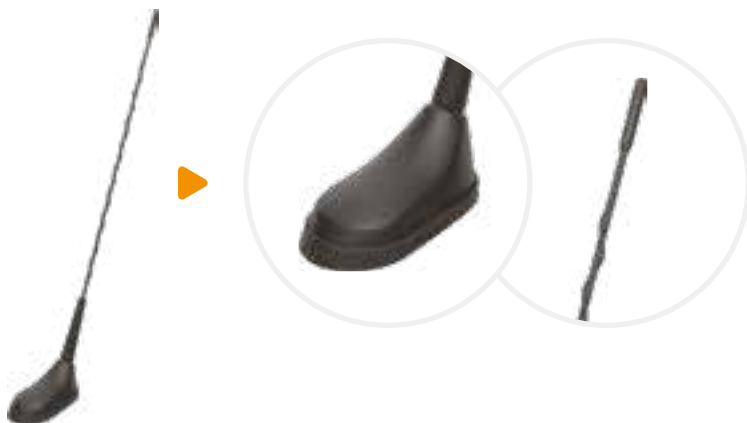
P/N 7771004 - Triplex UHF



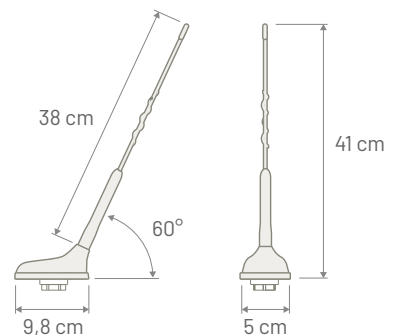
Dimensions



P/N 7771005 - Triplex VHF



Dimensions



16V COMBI

ROOF ANTENNA

AVAILABLE VERSIONS

P/N: 7771000 - COMBI VHF

P/N: 7771001 - COMBI UHF

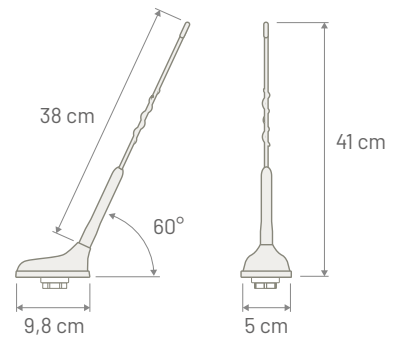
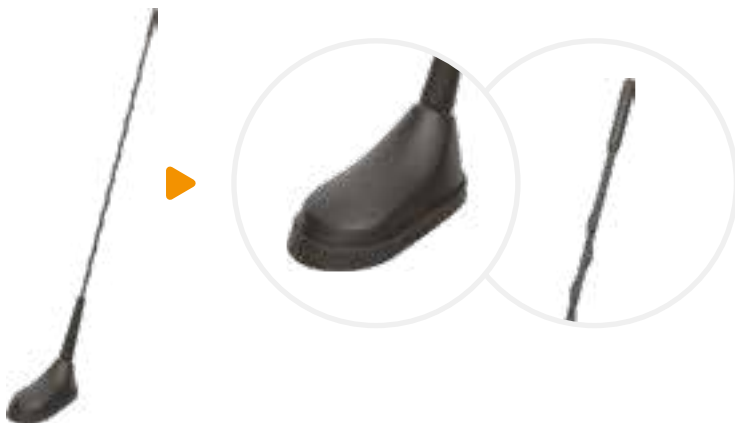
| VHF | UHF | GNSS |
|-----|-----|------|
| • | | • |
| | • | • |

TECHNICAL SPECIFICATION

| | VHF | UHF | GNSS |
|----------------------------|---------------------------------|---------------------------------|-----------------------------------|
| Antenna connector | FAKRA Male Green | FAKRA Male Green | FAKRA Male Blue |
| Antenna cable type | RG 174 | RG 174 | RG 174 |
| Antenna cable lenght | 250 mm | 200 mm | 250 mm |
| Extension cable type | RG 58 | RG 58 | RG 174 |
| Extension cable lenght | 5000 mm | 5000 mm | 5000 mm |
| Extension cable connectors | FAKRA Female Green - FME Female | FAKRA Female Green - FME Female | FAKRA Female Blue - SMB Female |
| Power supply | -- | -- | 3 - 5 Volt |
| Consumption | -- | -- | 45 mA max |
| Impedance | 50 Ω | 50 Ω | 50 Ω |
| Gain | -1 dBi | 0 dBi | 30 dBi |
| VSWR | 1,5:1 | 2,1:1 | 1,5:1 |
| Max Power | 20 Watt | 20 Watt | -- |
| Rod Lenght | 380 mm | 265 mm | -- |
| Rod Type | Antinoise | Smooth | -- |
| Rod Thread | M6 | Mounting | On roof |
| Base Angle | 60 degree | Coachwork drilling | Square: 15 x 15 mm - Round: 19 mm |
| Protection Class | IP64 | Note | |

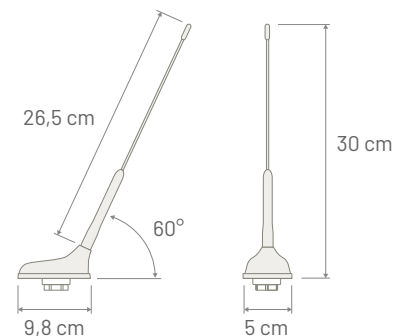
P/N 7771000 - Combi VHF

Dimensions



P/N 7771001 - Combi UHF

Dimensions



AVAILABLE VERSIONS

P/N: 7771002 - VHF

P/N: 7771003 - UHF

| VHF | UHF |
|-----|-----|
| • | |
| | • |

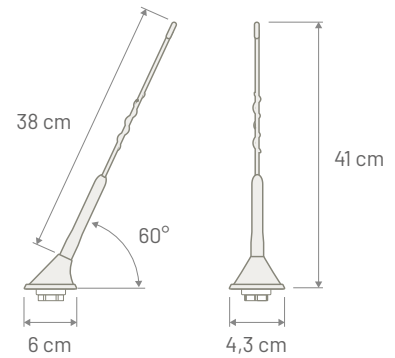
TECHNICAL SPECIFICATION

| | VHF | UHF | |
|----------------------------|---------------------------------|---------------------------------|-----------------------------------|
| Antenna connector | FAKRA Male Green | FAKRA Male Green | |
| Antenna cable type | RG 174 | RG 174 | |
| Antenna cable length | 200 mm | 200 mm | |
| Extension cable type | RG 58 | RG 58 | |
| Extension cable length | 5000 mm | 5000 mm | |
| Extension cable connectors | FAKRA Female Green - FME Female | FAKRA Female Green - FME Female | |
| Impedance | 50 Ω | 50 Ω | |
| Gain | -1 dBi | 0 dBi | |
| VSWR | 1,5:1 | 2.1:1 | |
| Max Power | 20 Watt | 20 Watt | |
| Rod Length | 380 mm | 260 mm | |
| Rod Type | Antinoise | Smooth | |
| Rod Thread | M6 | Mounting | On roof |
| Base Angle | 60 degree | Coachwork drilling | Square: 15 x 15 mm - Round: 19 mm |
| Protection Class | IP64 | Note | |

P/N 7771002 - VHF



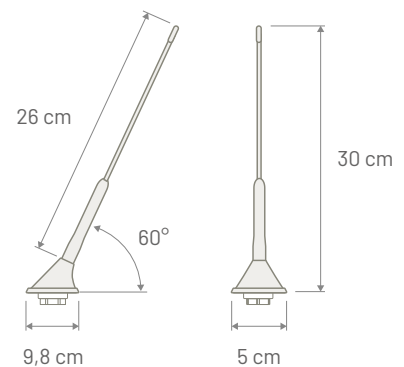
Dimensions



P/N 7771003 - UHF



Dimensions



TRIPLEX SHORT

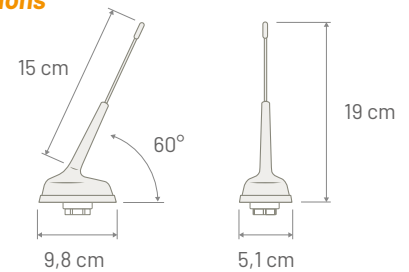
ROOF ANTENNA

| P/N: 7771040 | TETRA | WIFI / BLUETOOTH | GNSS |
|--------------|------------------|-------------------|-----------------------------------|
| Connector | FAKRA Male Green | FAKRA Male Violet | FAKRA Male Blue |
| Cable Type | RG 174 | RG 174 | RG 174 |
| Cable Length | 200 mm | 200 mm | 250 mm |
| Power Supply | -- | -- | 3 - 5 Volt Phantom |
| Consumption | -- | -- | 45 mA max |
| Impedance | 50 Ω | 50 Ω | 50 Ω |
| Gain | 1 dBi | 0 dBi | 30 dBi |
| VSWR | 2:1 | 2:1 | 1,5:1 |
| Max power | 20 Watt | 4 Watt | -- |
| Rod Length | 150 mm | Base Angle | 60 degree |
| Rod Type | Smooth | Protection Class | IP69K |
| Rod Thread | M5 | Mounting | Square: 15 x 15 mm - Round: 19 mm |

Note



Dimensions



Shark 2

SHARK 2 TETRA

NEW

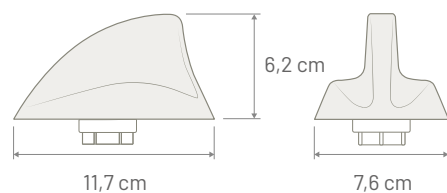
REAR ROOF ANTENNA

| P/N: 7771015 | TETRA |
|--------------------|---|
| Connector | FAKRA Male Green |
| Cable Type | RG 174 |
| Cable Length | 250 mm |
| Impedance | 50 Ω |
| Gain | -8 dBi |
| VSWR | 2:1 @ 380 - 400 MHz - 2.5:1 @ 400 - 410 MHz |
| Max Power | 10 Watt |
| Protection Class | IP68 |
| Mounting | On roof mounting |
| Coachwork drilling | Square: 15 x 15 mm - Round: 19 mm |

Note



Dimensions



RSA QUAD

ROOF ANTENNA

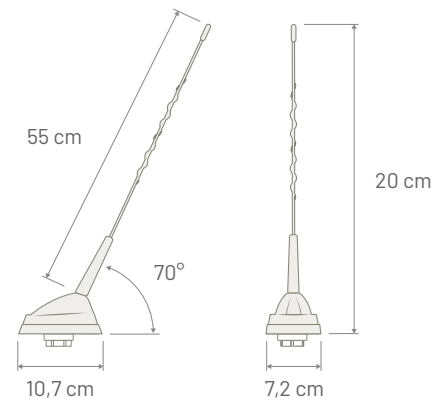
P/N: 7771020

| | TETRA | 70/80 MHz | AM/FM | GNSS |
|-----------------------------|--------------------------------|--------------------|-------------------------------|--|
| Connector (Base antenna) | FAKRA Male Green | -- | -- | FAKRA Male BLUE |
| Cable Type (Base antenna) | RG 174 | -- | -- | RG 174 |
| Cable Length (Base antenna) | 200 mm | -- | -- | 220 mm |
| Connector (Multiplexer) | IN: TNC Female OUT: BNC FEMale | BNC Female | BNC Female | -- |
| Power supply | -- | -- | Multiplexer: 12 Volt Phantom | 3 - 5 Volt Phantom |
| Consumption | -- | -- | Multiplexer: 35 mA max | 45 mA max |
| Impedance | 50Ω | 50Ω | AM: High Impedance - FM: 50 Ω | 50 Ω |
| Gain | 0 dBi | -5 dBi | FM: -10 dBi | 28 dBi |
| VSWR | 2:1 | 2,5:1 | -- | 1,7:1 |
| Max Power | 10 Watt | 15 Watt | -- | -- |
| Rod Length | 550 mm | Protection Class | | Antenna: IP69K - Multiplexer: IP42 |
| Rod Type | Antinoise | Mounting | | Antenna: on roof - Multiplexer: inside the vehicle |
| Rod Thread | M5 | Coachwork drilling | | Square: 15x15 mm - Round: 19 mm |
| Base Angle | 70 degree | | | |

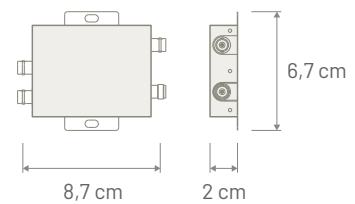
Note

Extension cable included on the package to connect TETRA output on the antenna base to the Multiplexer
Connectors: FAKRA Female Green and TNC Male - Type: RG 58 - Length: 3000 mm

Dimensions



Dimensions



RSA TRIPLEX

REAR ROOF ANTENNA

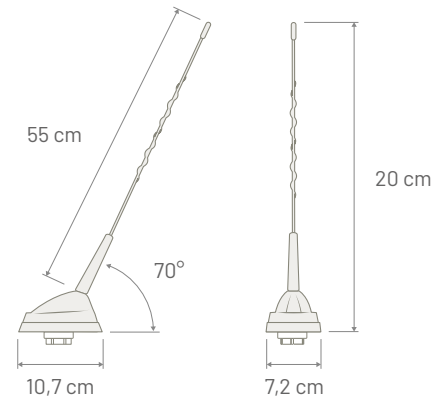
P/N: 7771025

| | TETRA | AM/FM | GNSS |
|-----------------------------|--|-------------------------------|--|
| Connector (Base antenna) | FAKRA Male Green | -- | FAKRA Male Blue |
| Cable Type (Base antenna) | RG 174 | -- | RG 174 |
| Cable Length (Base antenna) | 200 mm | -- | 220 mm |
| Connector (Diplexer) | IN: FAKRA Male Black OUT: FAKRA Male Green | FAKRA Male White | -- |
| Power supply | -- | Diplexer: 12 Volt Dedicated | 3 - 5 Volt Phantom |
| Consumption | -- | Diplexer: 35 mA max | 45 mA max |
| Impedance | 50 Ω | AM: High Impedance - FM: 50 Ω | 50 Ω |
| Gain | 0 dBi | FM: -10 dBi | 32 dBi |
| VSWR | 2:1 | -- | 2:1 |
| Max Power | 10 Watt | -- | -- |
| Rod Length | 550 mm | Protection Class | Antenna: IP69K - Diplexer: IP42 |
| Rod Type | Antinoise | Mounting | Antenna: on roof - Multiplexer: inside the vehicle |
| Rod Thread | M5 | Coachwork drilling | Square: 15x15 mm - Round: 19 mm |
| Base Angle | 70 degree | | |

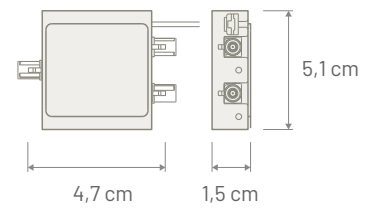
Note

Adapter cable included on the package to connect TETRA output on the antenna base to the Diplexer
Connectors: FAKRA Female Green and FAKRA Female Black - Type: RG 174 - Length: 150 mm

Dimensions



Dimensions



MIB QUAD

ROOF ANTENNA

P/N: 7771030

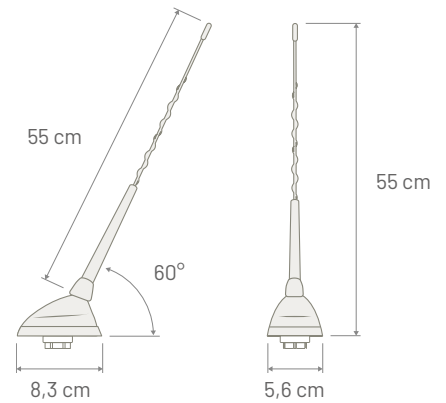
| | TETRA | 70/80 MHz | AM/FM | GNSS |
|--------------------------|--|------------|-------------------------------|------------------------|
| Connector (Base antenna) | FAKRA Male Green | -- | -- | FAKRA Male Blue |
| Connector (Multiplexer) | IN: TNC Female OUT: BNC Female | BNC Female | BNC Female | -- |
| Power supply | -- | -- | Multiplexer: 12 Volt Phantom | 4.5 - 5.5 Volt Phantom |
| Consumption | -- | -- | Multiplexer: 35 mA max | 20mA max |
| Impedance | 50 Ω | 50 Ω | AM: High Impedance - FM: 50 Ω | 50 Ω |
| Gain | 0 dBi | -5 dBi | FM: -10 dBi | 32 dBi |
| VSWR | 2:1 | 2,5:1 | -- | 2:1 |
| Max Power | 10 Watt | 15 Watt | -- | -- |
| Rod Length | 545 mm | | | |
| Rod Type | Antinoise | | | |
| Rod Thread | M5 | | | |
| Base Angle | 60 degree | | | |
| Protection Class | Antenna : IP69K - Multiplexer: IP42 | | | |
| Mounting | Antenna: on roof - Multiplexer: inside the vehicle | | | |
| Coachwork drilling | Square: 31,6 x 33,6 mm (VW Group MIB on roof hole) | | | |

Note

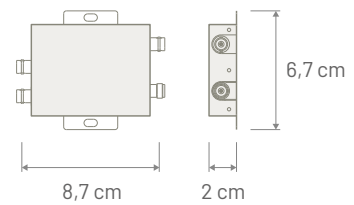
Extension cable included on the package to connect TETRA output on the antenna base to the Multiplexer
Connectors: FAKRA Female Green and TNC Male - Type: RG 58 - Length: 3000 mm



Dimensions



Dimensions



A series of horizontal dotted lines for taking notes, spanning the width of the page.

BUILDINGS

| | |
|------------------|----|
| ARRAY | 56 |
| FIBERGLASS | 57 |
| COMPACT | 58 |
| MODEM | 59 |

Calearo offers a range of highly professional antennas with WI-FI, GSM, UMTS, LTE and Bluetooth bands for professional application like base station, industrial automation, remote control and M2M communications.



ARRAY FULL^{LTE}

OMNIDIRECTIONAL ANTENNA

AVAILABLE VERSIONS

| | CONNECTOR | CABLE LENGTH | CABLE TYPE |
|--------------|------------|--------------|------------|
| P/N: 8610138 | SMA Male | 5000 mm | Low Loss |
| P/N: 8610139 | FME Female | 5000 mm | Low Loss |
| P/N: 8610141 | SMA Male | 10000 mm | Low Loss |
| P/N: 8610142 | SMA Male | 12000 mm | Low Loss |

TECHNICAL SPECIFICATION

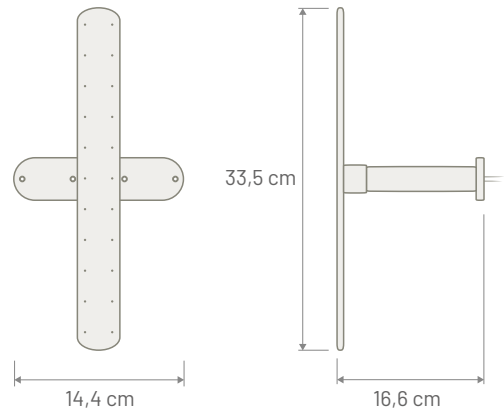
| | GSM - LTE | DCS | UMTS | WIFI - LTE |
|-----------|---------------|-----------------|-----------------|-----------------|
| Frequency | 790 ÷ 960 MHz | 1710 ÷ 1880 MHz | 1920 ÷ 2170 MHz | 2400 ÷ 2700 MHz |
| Impedance | 50 Ohm | 50 Ohm | 50 Ohm | 50 Ohm |
| Gain | 5 dBi | 5 dBi | 6 dBi | 5 dBi |
| VSWR | < 2.5 | < 2.0 | < 2.0 | < 2.0 |
| Max Power | 20 Watt | 10 Watt | 10 Watt | 6 Watt |

Protection Class IP54

Mounting On mast with special bracket (included) / On wall with two screws (not included)

Note The special bracket is compatible with mast diameter between 25 to 42 mm

Dimensions



FIBERGLASS FULL ^{LTE}

OMNIDIRECTIONAL ANTENNA

AVAILABLE VERSIONS

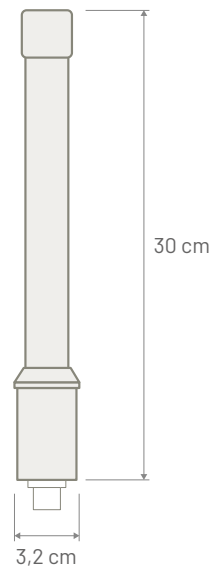
| | CONNECTOR | CABLE LENGHT | CABLE TYPE |
|--------------|-----------|-------------------------|-------------------------|
| P/N: 8610155 | N Female | without extension cable | without extension cable |
| P/N: 8610156 | SMA Male | 5000 mm | Low Loss |

TECHNICAL SPECIFICATION

| | LTE - ISM - GSM | DCS - PCN - DECT - UMTS - WIFI |
|------------------|---|--------------------------------|
| Frequency | 790 ÷ 960 MHz | 1710 ÷ 2700 MHz |
| Impedance | 50 Ohm | 50 Ohm |
| Gain | 2 dBi | 4 dBi |
| VSWR | < 2.2 | < 2.2 |
| Max Power | 25 Watt | 25 Watt |
| Protection Class | IP54 | |
| Mounting | On mast / On wall with special steel bracket (included) | |

Note The special bracket is compatible with mast diameter between 35 to 42 mm

Dimensions



Mounting scheme



COMPACT FULL^{LTE}

DIRECTIONAL ANTENNA

AVAILABLE VERSIONS

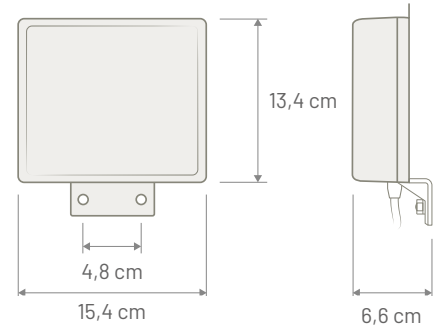
| | CONNECTOR | CABLE LENGTH | CABLE TYPE |
|--------------|------------|--------------|------------|
| P/N: 8610144 | SMA Male | 5000 mm | Low Loss |
| P/N: 8610145 | FME Female | 5000 mm | Low Loss |

TECHNICAL SPECIFICATION

| | LTE - GSM | DCS | UMTS | LTE - WIFI |
|------------------|-------------------|-----------------|-----------------|-------------------|
| Frequency | 790 ÷ 960 MHz | 1710 ÷ 1880 MHz | 1920 ÷ 2170 MHz | 2300 - 2700 MHz |
| Impedance | 50 Ohm | 50 Ohm | 50 Ohm | 50 Ohm |
| Gain | 6,5 dBi ± 0,5 dBi | 9 dBi | 9 dBi | 8,5 dBi ± 0,5 dBi |
| VSWR | < 2.0 | < 2.0 | < 2.0 | < 2.0 |
| Max Power | 30 Watt | 15 Watt | 10 Watt | 10 Watt |
| Protection Class | IP54 | | | |
| Mounting | On mast / On wall | | | |

Note

Dimensions



MONOPOLE EVOLUTION TRIBAND

OMNIDIRECTIONAL ANTENNA

AVAILABLE VERSIONS

| | CONNECTOR |
|--------------|--------------|
| P/N: 8610103 | SMA Male 90° |
| P/N: 8610118 | FME Female |

TECHNICAL SPECIFICATION

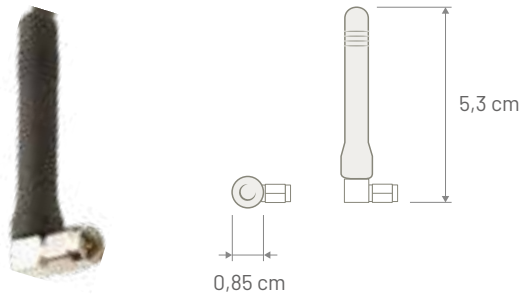
| GSM - DCS/UMTS - WIFI/BLUETOOTH | |
|---------------------------------|----------|
| Impedance | 50 Ohm |
| Gain | 2.2 dBi |
| VSWR | < 2:1 |
| Max Power | 2.5 Watt |

Mounting Directly to the modem antenna connector or the extension cable

Note

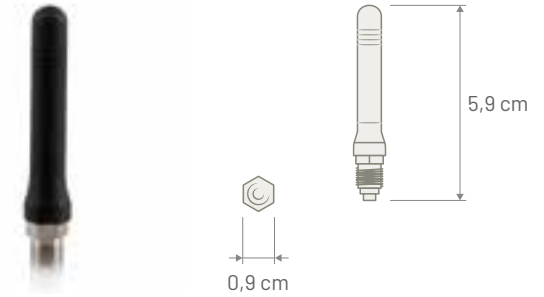
P/N 8610103

Dimensions



P/N 8610118

Dimensions



MONOPOLE DUAL BAND

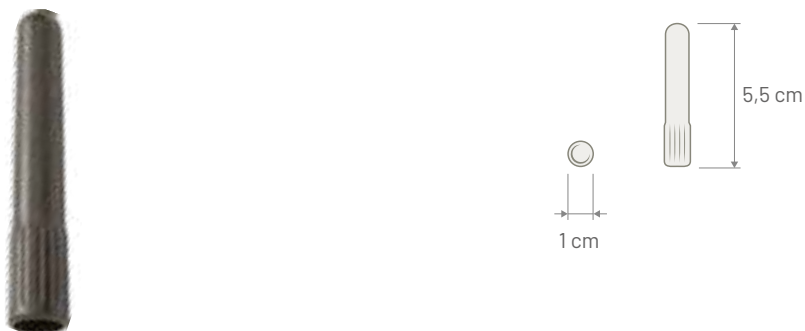
OMNIDIRECTIONAL ANTENNA

| P/N: 8610010 | GSM / DCS |
|----------------|-----------|
| Connector type | SMA Male |
| Impedance | 50 Ohm |
| Gain | 2.15 dBi |
| VSWR | ≤ 2:1 |
| Max Power | 4 watt |

Mounting Directly to the modem antenna connector or the extension cable

Note

Dimensions



SERVICE BOX

| | |
|-------------------|----|
| DAB & PLAY | 62 |
| SPLITTER | 64 |
| LOCATIONING | 66 |
| RADIO | 67 |

The Service Box range allow to manage the antenna signals for split, amplified or recover some specific functions. They works with Calearo antennas and with some OEM antennas.

AVAILABLE VERSIONS

| | MAIN APPLICATION |
|--------------------------|---|
| P/N: 7590007 - AMPLIFIER | Seat Leon (5F) - Skoda Fabia (NJ) and Octavia (5E) - Volkswagen Golf 6, Golf 7, Tiguan (5N) and Touran (5T) |
| P/N: 7590009 - AMPLIFIER | Volkswagen Passat (B7) and Passat (B8) |

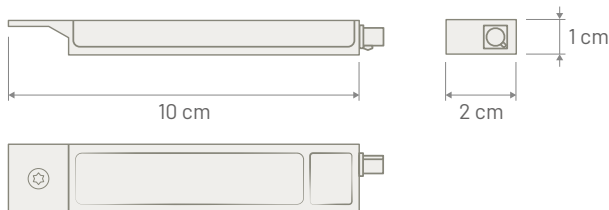
TECHNICAL SPECIFICATION

| | FM / DAB |
|----------------------------|--|
| Short description | Replace the original FM amplifier to add DAB antenna prepared on the original rear or side glass |
| Connector | DOUBLE FAKRA Male Black |
| Extension Cable Connectors | DOUBLE FAKRA Female Black and SMB Female |
| Extension Cable Type | RG 174 |
| Extension Cable Length | 6500 mm |
| Power Supply | 8,5 ÷ 12 Volt Phantom |
| Consumption | 50 mA max |
| Impedance | 50 Ohm |
| Gain | FM: 6 dB / DAB: 19 dB |
| VSWR | < 2:1 |
| Protection Class | IP52 |
| Mounting | Replace the original amplifier |

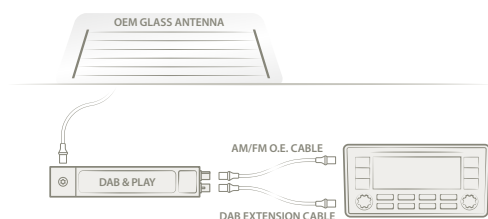
Note DAB&PLAY amplifier work in selected Volkswagen, Seat and Skoda vehicles with prepared DAB antenna into the original glass



Dimensions



Mounting scheme



DAB & PLAY PASSIVE

BY-PASS

AVAILABLE VERSIONS

MAIN APPLICATION

P/N: 7590008 - PASSIVE BY-PASS

Volkswagen, Seat and Skoda vehicles with prepared on glass original DAB antenna
 Note: the by-pass must be completed with Active Splitter P/N 7561004 and adapters cables sold separately

P/N: 7590013 - PASSIVE BY-PASS KIT

Volkswagen Golf 6 and 7
 Note: by-pass is complete with the Active Splitter P/N 7561004 and a special cables kit for Volkswagen head unit

TECHNICAL SPECIFICATION

FM / DAB

| | |
|-------------------|--|
| Short description | Replace the original FM amplifier to add DAB antenna prepared on the original rear or side glass |
| Connector | FAKRA Male Waterblue |
| Impedance | 50 Ohm |
| Protection Class | IP52 |
| Mounting | Replace the original amplifier |

Note

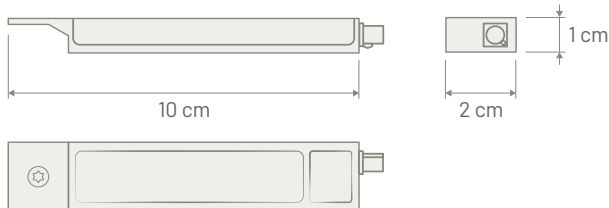
The P/N 7590008 is suitable only for a head unit with hybrid tuner (FM and DAB with only one antenna connector), or combined with Active Splitter and cables kit

The P/N 7590013 is suitable for any application with original VW head unit or aftermarket head unit with Fakra connectors

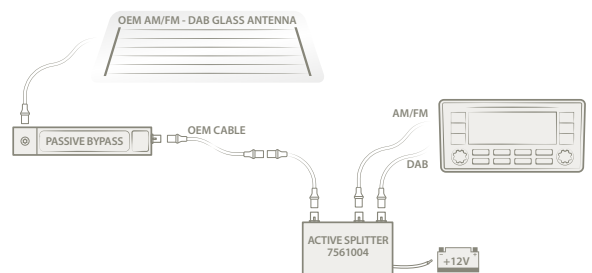
DAB&PLAY passive by-pass work only in Volkswagen vehicle with prepared DAB antenna into the original glass. Contact your car dealer to check if glass is prepared



Dimensions



Mounting scheme



ACTIVE SPLITTER AM / FM / DAB

SPLITTER

AVAILABLE VERSIONS

| ADAPTER CABLES | |
|--|---|
| P/N: 7561004 - ACTIVE SPLITTER | Without adapter cables into the package |
| P/N: 7562030 - ACTIVE SPLITTER KIT DIN | Antenna IN: DIN Female / AM/FM OUT: DIN Male / DAB OUT: SMB Female 90° / Lenght: 500 mm |
| P/N: 7132087 - ACTIVE SPLITTER KIT DIN/ISO | Antenna IN: ISO Female / AM/FM OUT: DIN Male / DAB OUT: SMB Female 90° / Lenght: 500 mm |

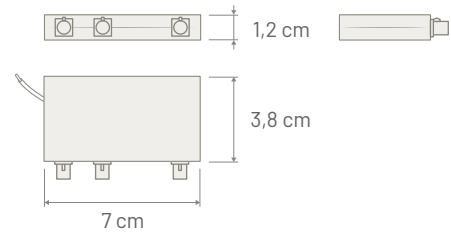
TECHNICAL SPECIFICATION

| AM / FM / DAB | |
|----------------------------|---|
| Short description | AM/FM/DAM Splitter allow to recover the DAB signals from an AM/FM passive antenna ready for digital radio |
| Active Splitter Connectors | FAKRA Male Waterblue for IN and OUT |
| Power Supply | 12 Volt dedicated |
| Consumption | 110 mA |
| Impedance | 50 Ohm |
| Gain | AM: 25 dB / FM: 12 dB / DAB: 20 dB |
| VSWR | FM: 3 : 1 / DAB: 2.5 : 1 |
| Protection Class | IP40 |
| Mounting | Internal of the vehicle with double-sided tape or plastic ties |

Note The AM/FM/DAB Active Splitter work only with AM/FM passive antennas prepared to receive the DAB signals
The AM/FM/DAB Active Splitter is not suitable for active antenna systems



Dimensions



CABLE FOR ACTIVE AND PASSIVE SPLITTER AM / FM / DAB

AVAILABLE VERSIONS

| | SPLITTER CONNECTOR SIDE | CABLE TYPE | CABLE LENGHT | ANTENNA / TUNER CONNECTOR SIDE |
|--------------|-------------------------|------------|--------------|--------------------------------|
| P/N: 7132078 | FAKRA Female Waterblue | RG 174 | 500 mm | ISO Female |
| P/N: 7132079 | FAKRA Female Waterblue | RG 58 | 500 mm | DIN Male |
| P/N: 7132080 | FAKRA Female Waterblue | RG 174 | 500 mm | ISO Male |
| P/N: 7132081 | FAKRA Female Waterblue | RG 174 | 500 mm | FAKRA Male Waterblue |

Note Adapter cables could be used for any other applications

PASSIVE SPLITTER AM / FM / DAB NEW

SPLITTER

AVAILABLE VERSIONS

ADAPTER CABLES

P/N: 7561006 - PASSIVE SPLITTER

P/N: 7561007 - PASSIVE SPLITTER KIT DIN

P/N: 7561008 - PASSIVE SPLITTER KIT DIN/ISO

Without adapter cables into the package

Antenna IN: DIN Female / AM/FM OUT : DIN Male / DAB: SMB Female 90°

Antenna IN: ISO Female / AM/FM OUT : DIN Male / DAB: SMB Female 90°

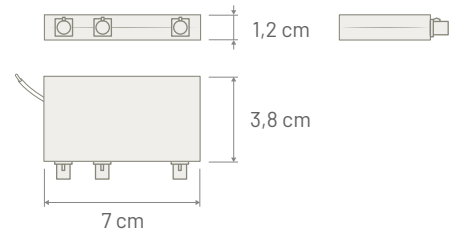
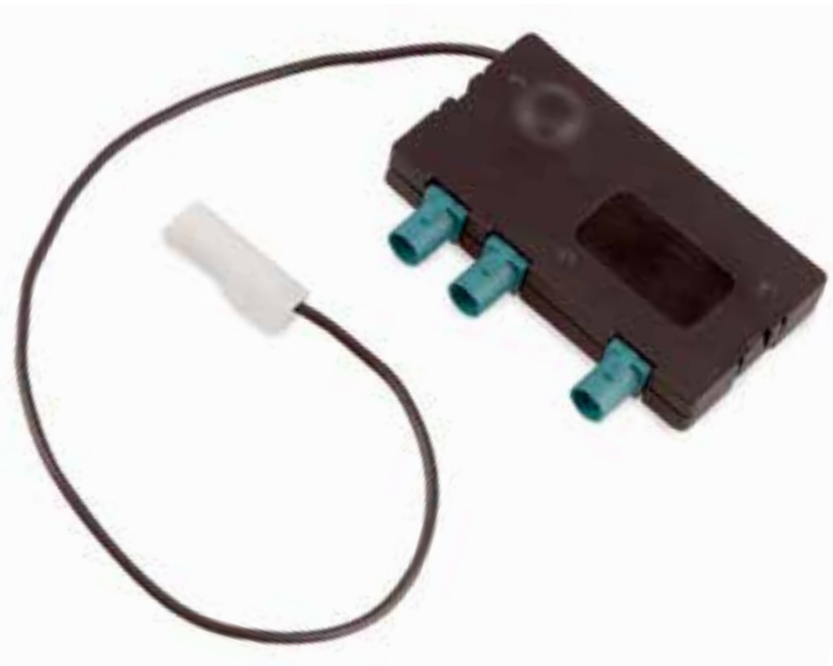
TECHNICAL SPECIFICATION

AM / FM / DAB

| | |
|----------------------------|---|
| Short description | AM/FM/DAM Passive Splitter allow to recover the DAB signals from an AM/FM active or passive antenna ready for digital radio |
| Active Splitter Connectors | FAKRA Male Waterblue for IN and OUT |
| Power Supply | -- |
| Consumption | -- |
| Impedance | 50 Ohm |
| Gain | -2 dB |
| VSWR | FM: 2 : 1 / DAB: 2 : 1 |
| Protection Class | IP40 |
| Mounting | Internal of the vehicle with adhesive tape or plastic cable tie |

Note The AM/FM/DAB Passive Splitter work only with AM/FM active or passive antennas ready to receive the DAB signals
The AM/FM/DAB Passive Splitter is suitable for active antenna with 12 Volt phantom supply

Dimensions



AVAILABLE VERSIONS

| | SPLITTER CONNECTOR SIDE | CABLE TYPE | CABLE LENGHT | ANTENNA / TUNER CONNECTOR SIDE |
|--------------|--------------------------------|-------------------|---------------------|---------------------------------------|
| P/N: 7132082 | FAKRA Female Waterblue | RG 174 | 500 mm | SMB Female 90° |
| P/N: 7132083 | FAKRA Female Waterblue | RG 174 | 500 mm | SMA Male |
| P/N: 7132084 | FAKRA Female Waterblue | RG 174 | 500 mm | FAKRA Female Waterblue |
| P/N: 7132085 | FAKRA Female Waterblue | RG 58 | 500 mm | DIN Female |

Note Adapter cables could be used for any other applications

GNSS SPLITTER

SPLITTER

P/N: 7562019

MAIN APPLICATION

GNSS Splitter allow to connect two different devices to a same GNSS antenna

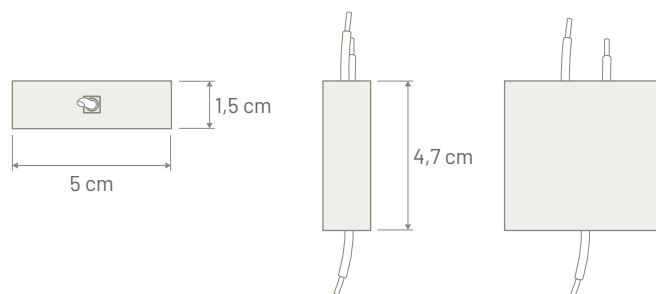
TECHNICAL SPECIFICATION

| | |
|----------------------------------|---------------------|
| GNSS Antenna side : Connector | FAKRA Male Blue |
| GNSS Antenna side : Cable Lenght | 150 mm |
| GNSS Antenna side : Cable Type | RG 174 |
| Device side : Connector | FAKRA Female Blue |
| Device side : Cable Lenght | 480 mm |
| Device side : Cable Type | RG 174 |
| Power Supply | 3 - 5 Volt Phantom |
| Consumption | 45 mA max |
| Impedance | 50 Ω |
| Gain | -4,5 dB |
| VSWR | 2:1 |
| Protection Class | IP 42 |
| Mounting | Internal / Adhesive |

Note



Dimensions



DIVERSITY ADAPTER

ADAPTER

MAIN APPLICATION

P/N: 7562016

Volkswagen Group vehicles without diversity system

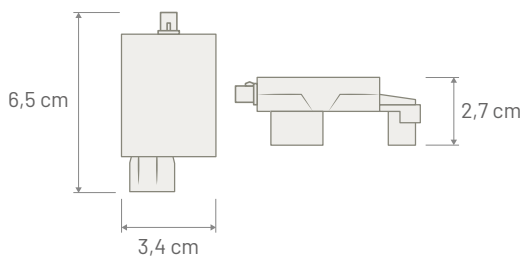
TECHNICAL SPECIFICATION

| | |
|---------------------------------|--|
| Short description | Radio Diversity adapter allow to install an original VW radio with diversity system in a vehicle with standard antenna |
| Connector Original Antenna Side | FAKRA Male White |
| Connector VW Radio Side | DOUBLE FAKRA Female White |
| Power Supply | 12 Volt phantom |
| Consumption | 15 mA max |
| Gain | 0 dB |
| Mounting | Rear of original VW radio - adhesive mounting |

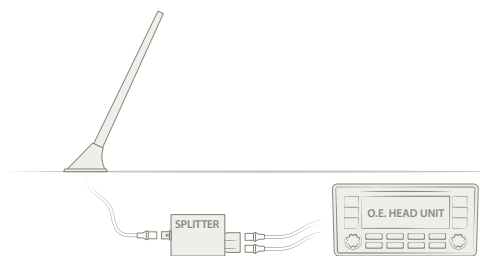
Note



Dimensions



Mounting scheme



ADAPTERS & CABLES

| | |
|---------------------------|----|
| ADAPTERS | 70 |
| EXTENSION CABLES | 73 |
| TABLE OF CONNECTORS | 75 |

AM/FM ADAPTER CABLES**FOR CALEARO ANTENNAS**

| | ANTENNA SIDE | CABLE TYPE | CABLE LENGHT | ORIGINAL CABLE SIDE | COMPATIBILITY |
|--------------|------------------------|------------|--------------|--------------------------------|--|
| P/N: 7581160 | FAKRA Female White | RG58 | 150 mm | BPN Male | Audi > 1994 / Opel > 2001 |
| P/N: 7581161 | FAKRA Female White | RG58 | 150 mm | ROKA Male | Audi 1994 <> 2001 Volvo V40 > 2004 / Mini > 2005 |
| P/N: 7581162 | FAKRA Female White | RG174 | 1200 mm | FAKRA Female White / Waterblue | FCA 2010 > / PSA 2010 > FORD > 2019 |
| P/N: 7581163 | FAKRA Female White | 75 Ohm | 1170 mm | HC 97 Female (RAKU 2 Female) | Renault > 2009 / PSA > 2009 |
| P/N: 7581164 | FAKRA Female Waterblue | RG174 | 1200 mm | FAKRA Male Waterblue | Renault (AM/FM and DAB cables) 2009 > Nissan (DAB cable) 2012 > |
| P/N: 7581165 | FAKRA Female White | 75 Ohm | 150 mm | DIN Male | Vehicles with DIN Female connector on the original cable |
| P/N: 7581166 | FAKRA Female White | RG174 | 220 mm | Opel 4 POLE | Opel > 2010 |
| P/N: 7581167 | FAKRA Female White | RG174 | 200 mm | GT13 Female (GT13SS-1/1S-HU) | Nissan (AM/FM cable) 2012 > |
| P/N: 7581168 | FAKRA Female White | RG174 | 200 mm | GT13 Female (GT13SC-1/1S-HU) | Suzuki 2012 > |

Note Adapter cables for AM/FM function to connect a Calero Antenna with FAKRA Male White connector to the car original cable

AM/FM ADAPTER CABLE**FOR CAR RADIO**

| | ORIGINAL CABLE SIDE | CABLE TYPE | CABLE LENGHT | CAR RADIO SIDE | COMPATIBILITY |
|--------------|--------------------------|------------|--------------|----------------|-----------------------------|
| P/N: 7581101 | FAKRA Male White / Black | RG174 | 150 mm | ISO Male | BMW / Mercedes / PSA / Opel |

Note Adapter cables for AM/FM function to connect the car original cable with FAKRA Female Connector to an AfterMarket car radio

AM/FM COMPACT ISO/DIN CONNECTOR ADAPTERS

| | DESCRIPTION |
|--------------|---------------------------------------|
| P/N: 7420002 | Change ISO Male Connector to DIN Male |
| P/N: 7420003 | Change DIN Male Connector to ISO Male |



P/N 7420002



P/N 7420003

Note

AM/FM DIN CONNECTOR FOR WELDING

| | DESCRIPTION |
|--------------|---|
| P/N: 7130003 | DIN Male Connector for on cable welding |
| P/N: 7542030 | DIN Female Connector for on cable welding |



P/N 7130003



P/N 7542030

Note

DAB PHANTOM FEEDING ADAPTER**FOR DAB ANTENNAS**

| | ORIGINAL CABLE SIDE | CABLE LENGHT | HEAD UNIT SIDE | POWER SUPPLY |
|--------------|---------------------|--------------|----------------|--------------|
| P/N: 7581134 | SMB Male | 250 mm | SMB Female | 12 Volt |



Note Housing for change the SMB Female connector to FAKRA Female connector included into the package

AM/FM PHANTOM FEEDING ADAPTERS

FOR AM/FM ANTENNAS

| | ORIGINAL CABLE SIDE | CABLE LENGTH | HEAD UNIT SIDE | POWER SUPPLY |
|--------------|---------------------|--------------|----------------|--------------|
| P/N: 7581059 | ISO Female | 240 mm | DIN Male | 12 Volt |



FOR AM/FM ANTENNAS

| | ORIGINAL CABLE SIDE | CABLE LENGTH | HEAD UNIT SIDE | POWER SUPPLY |
|--------------|----------------------|--------------|----------------|--------------|
| P/N: 7581107 | FAKRA Male Waterblue | 250 mm | ISO Male | 12 Volt |



FOR AM/FM ANTENNAS WITH DIVERSITY SYSTEM

| | ORIGINAL CABLE SIDE | CABLE LENGTH | HEAD UNIT SIDE | POWER SUPPLY |
|--------------|--------------------------|--------------|----------------|--------------|
| P/N: 7581135 | FAKRA Male Waterblue x 2 | 400 mm | DIN Male | 12 Volt |



DTT ADAPTERS

FOR CALEARO TV ANTENNAS

| | CABLE ANTENNA SIDE | CABLE TYPE | CABLE LENGTH | DEVICE SIDE | NOTE |
|--------------|--------------------|----------------|--------------|--------------------|--|
| P/N: 7132020 | JACK Female 3,5 mm | 75 Ohm coaxial | 200 mm | F Male | Adapters to change the F Female connector to IEC Male and IEC Female included in the package |
| P/N: 7132074 | JACK Female 3,5 mm | 75 Ohm coaxial | 200 mm | FAKRA Female Green | |
| P/N: 7581157 | FAKRA Male Green | 75 Ohm coaxial | 150 mm | F Male | Adapters to change the F Female connector to IEC Male and IEC Female included in the package |

Note

SMB ADAPTER CABLES

| | ANTENNA CABLE SIDE | CABLE TYPE | CABLE LENGTH | DEVICE SIDE | NOTE |
|--------------|--------------------|------------|--------------|-------------------------------|---|
| P/N: 7181113 | SMB Male | RG174 | 120 mm | GT 16 Female (GT16F-1S-HU(B)) | Pioneer GPS Receiver |
| P/N: 7581106 | SMB Male | RG174 | 120 mm | MCX Male | |
| P/N: 7581109 | SMB Male | RG174 | 120 mm | SMA Male | |
| P/N: 7581077 | SMB Male | RG174 | 150 mm | GT 5 Female (GT5-1S-HU) | Alpine GPS Receiver |
| P/N: 7581118 | SMB Male | RG174 | 150 mm | SMB Female 90° | |
| P/N: 7581123 | SMB Male | RG174 | 200 mm | FAKRA Female | Blue, Black and Waterblue housing supplied in the package |

Note

FME ADAPTER CABLES

| | ANTENNA CABLE SIDE | CABLE TYPE | CABLE LENGHT | DEVICE SIDE |
|--------------|--------------------|------------|--------------|---------------------------|
| P/N: 7127220 | FME Male | RG174 | 200 mm | MCX Male |
| P/N: 7131041 | FME Male | RG174 | 150 mm | MMCX Male 90° |
| P/N: 7581122 | FME Male | RG174 | 200 mm | FAKRA Female Bordeaux |
| P/N: 7581105 | FME Male | RG174 | 200 mm | FAKRA Female 90° Bordeaux |

Note

FME ADAPTER CONNECTORS

| | ANTENNA CABLE SIDE | DEVICE SIDE |
|--------------|--------------------|-------------|
| P/N: 7131003 | FME Male | BNC |
| P/N: 7131005 | FME Male | MINI UHF |
| P/N: 7131006 | FME Male | TNC |
| P/N: 7131009 | FME Male | SMA Male |
| P/N: 7131011 | FME Male | FME Male |

Note



FME CONNECTOR FOR WELDING

| | DESCRIPTION |
|--------------|--|
| P/N: 7131004 | FME Female Connector for on cable RG58 WELDING |

Note



FAKRA ADAPTER CABLES

| | ANTENNA CABLE SIDE | CABLE TYPE | CABLE LENGHT | DEVICE SIDE |
|--------------|------------------------|------------|--------------|------------------------|
| P/N: 7581071 | FAKRA Male Waterblue | RG174 | 150 mm | SMA Male |
| P/N: 7581072 | FAKRA Male Waterblue | RG174 | 150 mm | SMB Female 90° |
| P/N: 7132078 | FAKRA Female Waterblue | RG 174 | 500 mm | ISO Female |
| P/N: 7132079 | FAKRA Female Waterblue | RG 58 | 500 mm | DIN Male |
| P/N: 7132080 | FAKRA Female Waterblue | RG 174 | 500 mm | ISO Male |
| P/N: 7132081 | FAKRA Female Waterblue | RG 174 | 500 mm | FAKRA Male Waterblue |
| P/N: 7132082 | FAKRA Female Waterblue | RG 174 | 500 mm | SMB Female 90° |
| P/N: 7132083 | FAKRA Female Waterblue | RG 174 | 500 mm | SMA Male |
| P/N: 7132084 | FAKRA Female Waterblue | RG 174 | 500 mm | FAKRA Female Waterblue |
| P/N: 7132085 | FAKRA Female Waterblue | RG 58 | 500 mm | DIN Female |

Note

FAKRA/DIN EXTENSION CABLES FOR AM/FM WITH PHANTOM FEEDING

| | ANTENNA SIDE | CABLE TYPE | CABLE LENGHT | DEVICE SIDE |
|--------------|--------------------|------------|--------------|-------------|
| P/N: 7561011 | FAKRA Female White | RG58 | 3 meters | DIN Male |
| P/N: 7561012 | FAKRA Female White | RG58 | 5 meters | DIN Male |
| P/N: 7561013 | FAKRA Female White | RG58 | 7 meters | DIN Male |
| P/N: 7561014 | FAKRA Female White | RG58 | 9 meters | DIN Male |
| P/N: 7561015 | FAKRA Female White | RG58 | 12 meters | DIN Male |

Note Black, Blue and Waterblue housing for FAKRA Female connector included in the package

FAKRA EXTENSION CABLES FOR AM/FM-DAB-DTT WITH ADDITIONAL CABLE FOR DEDICATED POWER SUPPLY

| | ANTENNA SIDE | CABLE TYPE | CABLE LENGHT | DEVICE SIDE | APPLICATION |
|--------------|------------------------|----------------|--------------|------------------------|-------------------|
| P/N: 7581173 | FAKRA Female White | 75 Ohm coaxial | 3 meters | ISO Male | AM/FM |
| P/N: 7581175 | FAKRA Female White | 75 Ohm coaxial | 5 meters | ISO Male | AM/FM |
| P/N: 7581177 | FAKRA Female White | 75 Ohm coaxial | 7 meters | ISO Male | AM/FM |
| P/N: 7581183 | FAKRA Female White | 75 Ohm coaxial | 3 meters | DIN Male | AM/FM |
| P/N: 7581185 | FAKRA Female White | 75 Ohm coaxial | 5 meters | DIN Male | AM/FM |
| P/N: 7581187 | FAKRA Female White | 75 Ohm coaxial | 7 meters | DIN Male | AM/FM |
| P/N: 7581193 | FAKRA Female Waterblue | 75 Ohm coaxial | 3 meters | FAKRA Female Waterblue | AM/FM - DAB - DTT |
| P/N: 7581195 | FAKRA Female Waterblue | 75 Ohm coaxial | 5 meters | FAKRA Female Waterblue | AM/FM - DAB - DTT |
| P/N: 7581197 | FAKRA Female Waterblue | 75 Ohm coaxial | 7 meters | FAKRA Female Waterblue | AM/FM - DAB - DTT |

Note

FAKRA/SMB EXTENSION CABLES

FOR CALEARO ANTENNAS

| | ANTENNA SIDE | CABLE TYPE | CABLE LENGHT | DEVICE SIDE |
|--------------|--------------|------------|--------------|-------------|
| P/N: 7581010 | FAKRA Female | RG174 | 1 meter | SMB Female |
| P/N: 7581011 | FAKRA Female | RG174 | 3 meters | SMB Female |
| P/N: 7581012 | FAKRA Female | RG174 | 5 meters | SMB Female |
| P/N: 7581013 | FAKRA Female | RG174 | 7 meters | SMB Female |
| P/N: 7581014 | FAKRA Female | RG174 | 9 meters | SMB Female |
| P/N: 7581015 | FAKRA Female | RG174 | 12 meters | SMB Female |

Note Housing Black, Blue and Waterblue for FAKRA Female Connector included in the package

FAKRA WATERPROOF/SMB EXTENSION CABLES

FOR CALEARO ANTENNAS

| | ANTENNA SIDE | CABLE TYPE | CABLE LENGHT | DEVICE SIDE |
|--------------|------------------------|------------|--------------|-------------|
| P/N: 7581147 | FAKRA Female Waterblue | RG174 | 3,5 meters | SMB Female |
| P/N: 7581148 | FAKRA Female Waterblue | RG174 | 5 meters | SMB Female |

Note WATERPROOF FAKRA Connector

FAKRA/FME EXTENSION CABLE

FOR CALEARO ANTENNAS

| | ANTENNA SIDE | CABLE TYPE | CABLE LENGHT | DEVICE SIDE |
|--------------|--------------|------------|--------------|-------------|
| P/N: 7581116 | FAKRA Female | RG58 | 5 meters | FME Female |

Note Black, White, Bordeaux and Green housing for FAKRA Female connector included in the package

FAKRA/SMA EXTENSION CABLES FOR WIFI

FOR CALEARO ANTENNAS

| | ANTENNA SIDE | CABLE TYPE | CABLE LENGHT | DEVICE SIDE |
|--------------|---------------------|----------------|--------------|-------------|
| P/N: 7581170 | FAKRA Female Violet | RG 58 LOW LOSS | 3 meters | SMA Male |
| P/N: 7581171 | FAKRA Female Violet | RG 58 LOW LOSS | 5 meters | SMA Male |
| P/N: 7581172 | FAKRA Female Violet | RG 58 LOW LOSS | 7 meters | SMA Male |

Note RG58 LOW LOSS special cables for high frequencies

DIN EXTENSION CABLES FOR AM/FM

| | CABLE SIDE | CABLE TYPE | CABLE LENGHT | DEVICE SIDE |
|--------------|------------|------------|--------------|-------------|
| P/N: 7581020 | DIN Female | AR7 | 0,5 meter | DIN Male |
| P/N: 7581023 | DIN Female | AR7 | 1 meter | DIN Male |
| P/N: 7581029 | DIN Female | AR7 | 3 meters | DIN Male |
| P/N: 7581034 | DIN Female | AR7 | 4,5 meters | DIN Male |

Note

SMB EXTENSION CABLES

| | CABLE SIDE | CABLE TYPE | CABLE LENGHT | DEVICE SIDE |
|--------------|------------|------------|--------------|-------------|
| P/N: 7581094 | SMB Female | RG174 | 1 meter | SMB Male |
| P/N: 7581095 | SMB Female | RG174 | 3 meters | SMB Male |
| P/N: 7581096 | SMB Female | RG174 | 5 meters | SMB Male |

Note

FME EXTENSION CABLES

| | ANTENNA/CABLE SIDE | CABLE TYPE | CABLE LENGHT | DEVICE SIDE |
|--------------|--------------------|------------|--------------|-------------|
| P/N: 7581046 | FME Female | RG58 | 1,5 meters | FME Female |
| P/N: 7581045 | FME Female | RG58 | 5 meters | FME Female |
| P/N: 8510031 | FME Male | LOW LOSS | 5 meters | FME Female |

Note

LOW LOSS EXTENSION CABLES WITH N AND SMA CONNECTORS



| | ANTENNA/CABLE SIDE | CABLE TYPE | CABLE LENGHT | DEVICE SIDE |
|--------------|--------------------|------------|--------------|-------------|
| P/N: 8510015 | N Male | LOW LOSS | 2 meters | SMA Male |
| P/N: 8510009 | N Male | LOW LOSS | 5 meters | SMA Male |

Note

LOW LOSS EXTENSION CABLES WITH SMA CONNECTORS

| | ANTENNA/CABLE SIDE | CABLE TYPE | CABLE LENGHT | DEVICE SIDE |
|--------------|--------------------|------------|--------------|-----------------------------|
| P/N: 7131047 | SMA Female | LOW LOSS | 5 meters | SMA Male - REVERSE POLARITY |
| P/N: 8510004 | SMA Female | LOW LOSS | 2 meters | SMA Male |
| P/N: 8510050 | SMA Female | LOW LOSS | 4 meters | SMA Male |
| P/N: 8510029 | SMA Female | LOW LOSS | 5 meters | SMA Male |
| P/N: 8510051 | SMA Female | LOW LOSS | 8 meters | SMA Male |
| P/N: 8510064 | SMA Female | LOW LOSS | 10 meters | SMA Male |
| P/N: 8510012 | SMA Female | LOW LOSS | 25 meters | SMA Male |

Note

| FAKRA | COLOUR | CODE KEY | TYPICAL APPLICATION |
|---|-----------|----------|----------------------|
|  | Black | A | AM/FM - DAB |
| | White | B | AM/FM |
|  | Blue | C | GPS - GNSS |
| | Bordeaux | D | GSM/UMTS/LTE |
| | Green | E | TV - UHF - VHF |
| | Brown | F | DAB (NISSAN/RENAULT) |
| | Grey | G | DAB (FCA) |
| | Violet | H | WIFI |
| | Waterblue | Z | UNIVERSAL |

BP



BPN Male

GT



GT13 Female (GT13-SH)

ISO



ISO Female

SMA



SMA Female



BPN Female



GT13 Female (GT13-SS)



ISO Male



SMA Male

DIN



DIN Female

GT16 Female



GT16 Female

JACK



JACK Female 3,5 mm

SMA Male RP (Reverse Polarity)



SMA Male RP (Reverse Polarity)



DIN Male

GT5 Female



GT5 Female

MCX



MCX Male

SMB



SMB Female

F



F Male

HC



HC97 Male (RAKU 2 Male)

MMCX



MMCX Male 90°

SMB Female 90°



SMB Female 90°

FME



FME Female

HC97 Female (RAKU2 Female)



HC97 Female (RAKU2 Female)

N



N Male

SMB Male



SMB Male



FME Male

HC Male



HC Male

N Female



N Female

OPEL



OPEL

IEC



IEC 9,5

ROKA



ROKA Male

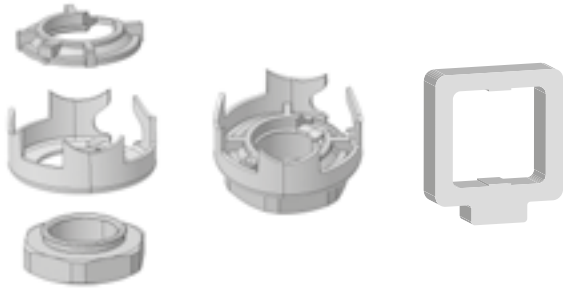
ACCESSORIES & SPARE PARTS

| | |
|--|----|
| HOLE ADAPTERS | 78 |
| HOUSING FAKRA | 78 |
| ROD FOR SINGLE FUNCTION ANTENNAS | 79 |
| ROD FOR MULTIFUNCTIONAL ANTENNAS ... | 80 |
| ROD FOR CRITICAL ANTENNAS | 81 |
| ROD FOR GSM ANTENNAS | 81 |

HOLE ADAPTER

P/N: 7131050

FCA 2012 >



Note Only for SHARK 2 antennas

HOLE ADAPTER

FOR SHARK 2 ONLY

P/N: 7131051

FORD 2011 >



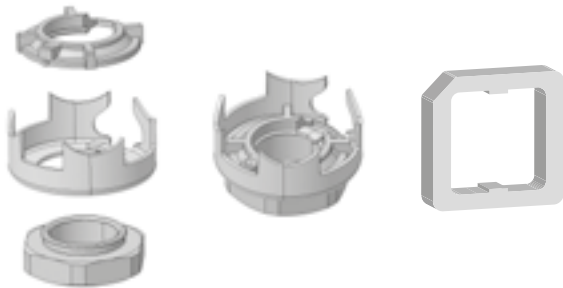
Note Only for SHARK 2 antennas

HOLE ADAPTER

FOR SHARK 2 ONLY

P/N: 7131052

OPEL 2009 >



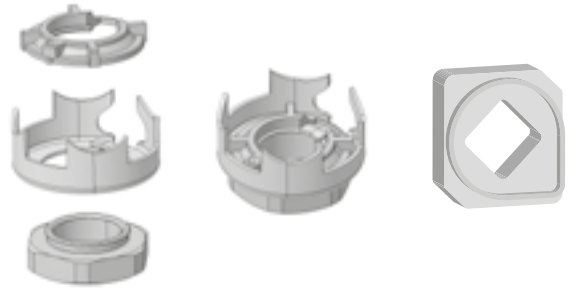
Note Only for SHARK 2 antennas

HOLE ADAPTER

FOR SHARK 2 ONLY

P/N: 7131053

VOLKSWAGEN MIB PLATFORM 2012 >



Note Only for SHARK 2 antennas

HOLE COVER CAP

P/N: 7130005

UNIVERSAL



Note Hole cover cap diameter: 3 cm

Housing Fakra

FAKRA HOUSING KIT NEW

P/N: 7131055

WATERBLUE HOUSING FOR FAKRA MALE CONNECTOR



Note Kit contains 5 housing
Allow to replace any FAKRA Male housing with the universal type

FAKRA HOUSING KIT NEW

P/N: 7131056

WATERBLUE HOUSING FOR FAKRA MALE CONNECTOR



Note Kit contains 5 housing
Allow to replace any FAKRA Female housing with the universal type

16V TYPE

| P/N: 7551019 | AM/FM | | |
|--------------|--------|--------|----|
| Type | 16V | Thread | M5 |
| Lenght | 410 mm | | |



16V TYPE

| P/N: 7551037 | AM/FM | | |
|--------------|--------|--------|----|
| Type | 16V | Thread | M5 |
| Lenght | 410 mm | | |



Note Antinoise Coil

16V TYPE

| P/N: 7551039 | AM/FM | | |
|--------------|--------|--------|----|
| Type | 16V | Thread | M5 |
| Lenght | 300 mm | | |



Note Antinoise Coil

16V TYPE

| P/N: 7551033 | DAB | | |
|--------------|--------|--------|----|
| Type | 16V | Thread | M6 |
| Lenght | 410 mm | | |



Note Antinoise Coil

FIBERGLASS

| P/N: 7552012 | AM/FM | | |
|--------------|------------|--------|----|
| Type | FIBERGLASS | Thread | M6 |
| Lenght | 400 mm | | |



FIBERGLASS

| P/N: 7552017 | AM/FM | | |
|--------------|------------|--------|----|
| Type | FIBERGLASS | Thread | M6 |
| Lenght | 840 mm | | |



RUBBER

| P/N: 7550028 | AM/FM | | |
|--------------|--------|--------|----|
| Type | RUBBER | Thread | M6 |
| Lenght | 360 mm | | |



16V TYPE

| | | | |
|--------------|-------------|--------|----|
| P/N: 7551027 | AM/FM - GSM | | |
| Type | 16V | Thread | M6 |
| Lenght | 410 mm | | |



Note Antinoise Coil

16V TYPE

| | | | |
|--------------|-------------|--------|----|
| P/N: 7551038 | AM/FM - DTT | | |
| Type | 16V | Thread | M6 |
| Lenght | 410 mm | | |



Note Antinoise Coil

16V TYPE

| | | | |
|--------------|-------------|--------|----|
| P/N: 7552090 | AM/FM - DAB | | |
| Type | 16V Short | Thread | M5 |
| Lenght | 200 mm | | |



Note Smooth

16V TYPE

| | | | |
|--------------|-------------|--------|----|
| P/N: 7551040 | AM/FM - DAB | | |
| Type | 16V | Thread | M6 |
| Lenght | 410 mm | | |



Note Antinoise Coil

FLEXI

| | | | |
|--------------|-------------|--------|----|
| P/N: 7551046 | AM/FM - DAB | | |
| Type | Flexi | Thread | M6 |
| Lenght | 220 mm | | |



Note Heavy duty and high flexible

FIBERGLASS

| | | | |
|--------------|-------------|--------|-----------|
| P/N: 7551045 | AM/FM - DAB | | |
| Type | Fiberglass | Thread | M6 Female |
| Lenght | 400 mm | | |



Note Package include two adapters to change the M6 Female thread to M5 male or to M6 male

16V TYPE

| | | | |
|--------------|--------|--------|----|
| P/N: 7551041 | UHF | | |
| Type | 16V | Thread | M6 |
| Lenght | 260 mm | | |



16V TYPE

| | | | |
|--------------|--------|--------|----|
| P/N: 7551042 | VHF | | |
| Type | 16V | Thread | M6 |
| Lenght | 380 mm | | |



Note Tunable

Rod for GSM Antennas

FIXED

| | | | |
|--------------|-----------------|--------|----|
| P/N: 7551028 | GSM | | |
| Type | OMNIDIRECTIONAL | Thread | M6 |
| Lenght | 50 mm | | |



FIXED

| | | | |
|--------------|-----------------|--------|----|
| P/N: 7551029 | GSM | | |
| Type | OMNIDIRECTIONAL | Thread | M5 |
| Lenght | 60 mm | | |



AUDIO & VIDEO

| | |
|---|----|
| RADIO | 84 |
| SPEAKER | 86 |
| MONITOR | 87 |
| REAR VIEW CAMERA | 88 |
| EXTENSION CABLE & ADAPTERS FOR VIDEO SYSTEMS | 90 |
| MOUNTING ACCESSORIES | 91 |
| LEGEND OF ICONS | 93 |

Callearo's line of car radio, speakers and adapters is able to create the perfect kit for any kind of vehicle, from private city cars to vehicles designed to withstand the harsh environment. This product range includes dust and spray proof radios paired with technologies such as DAB-DAB+ reception and Bluetooth.



ES 6180^{BT}

1 DIN CAR RADIO

P/N: 7137567

EEPROM • BLUETOOTH • MECHLESS

| | | | |
|--------------|---|-------------------|---------------------------|
| Tuner | AM/FM RDS World Tuner | Front Panel | Detachable |
| Audio Source | USB - SD CARD - A2DP - AUX IN | Audio power | 4 x 40 Watt max |
| Bluetooth | Hands Free (HFP) - Audio Streaming (A2DP) | Power supply | 12 Volt |
| Media | MP3 - WMA | Main connector | ISO built in |
| Display | LCD with WHITE segments | Antenna Connector | DIN Female built in |
| Key & Knob | RED color light | Dimension | 1 DIN standard Short body |

Note



ES 6180^{DAB}

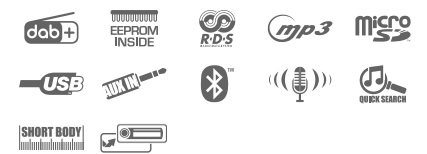
1 DIN CAR RADIO

P/N: 7137574

EEPROM • DAB TUNER • BLUETOOTH • MECHLESS

| | | | |
|--------------|---|-------------------|-----------------------------------|
| Tuner | AM/FM RDS World Tuner - DAB Tuner | Front Panel | Detachable |
| Audio Source | USB - MICRO SD - A2DP - AUX IN | Audio power | 4 x 40 Watt max |
| Bluetooth | Hands Free (HFP) - Audio Streaming (A2DP/AVRCP) | Power supply | 12 Volt |
| Media | MP3 - WMA - FLAC | Main connector | ISO built in |
| Display | DOT Matrix WHITE | Antenna Connector | AM/FM: DIN Female - DAB: SMB Male |
| Key & Knob | RED color light | Dimension | 1 DIN standard Short body |

Note



DP 6290^{DAB}

1 DIN CAR RADIO

P/N: 7137577

IP54 PROTECTION GRADE • EEPROM • DAB TUNER • BLUETOOTH • MECHLESS

| | | | |
|--------------|---|-------------------|-----------------------------------|
| Tuner | AM/FM RDS World Tuner - DAB Tuner | Front Panel | Fixed panel |
| Audio Source | USB - AUX IN | Audio power | 4 x 40 Watt max |
| Bluetooth | Hands Free (HFP) - Audio Streaming (A2DP/AVRCP) | Power supply | 12 Volt |
| Media | MP3 - WMA | Main connector | ISO built in |
| Display | LCD with WHITE illumination and BLACK segments | Antenna Connector | AM/FM: DIN Female - DAB: SMB Male |
| Key & Knob | RED color light | Dimension | 1 DIN standard Short body |

Note Dust & Spray resistant with IP54 protection grade for heavy duty installation



DP 6400^{DAB}

NEW

1 DIN CAR RADIO

P/N: 7137594

IP54 PROTECTION GRADE • 12V AND 24V POWER SUPPLY • EEPROM • DAB TUNER • BLUETOOTH • MECHLESS

| | | | |
|--------------|---|-------------------|-----------------------------------|
| Tuner | AM/FM RDS World Tuner - DAB Tuner | Front Panel | Fixed panel |
| Audio Source | USB - AUX IN | Audio power | 4 x 40 Watt max |
| Bluetooth | Hands Free (HFP) - Audio Streaming (A2DP/AVRCP) | Power supply | 12/24 Volt |
| Media | MP3 - WMA | Main connector | ISO built in |
| Display | LCD with WHITE illumination and BLACK segments | Antenna Connector | AM/FM: DIN Female - DAB: SMB Male |
| Key & Knob | RED color light | Dimension | 1 DIN standard Short body |

Note Dust & Spray resistant with IP54 protection grade for heavy duty installation



EL 87

P/N: 7697320

2 WAY COAXIAL

| | | | |
|------------|---------------------------------|-----------------|----------------|
| Dimension | 87 mm | Frequency Resp. | 100 ÷ 20000 Hz |
| Deep | 42 mm max | Impedance | 4 Ohm |
| Power | Nominal: 35 watt - Max: 50 watt | Cone | Paper |
| Efficiency | 87 dB | Basket | Steel |



EL 100

P/N: 7697321

2 WAY COAXIAL

| | | | |
|------------|---------------------------------|-----------------|---------------|
| Dimension | 100 mm | Frequency Resp. | 90 ÷ 16000 Hz |
| Deep | 50 mm max | Impedance | 4 Ohm |
| Power | Nominal: 35 watt - Max: 75 watt | Cone | Paper |
| Efficiency | 88 dB | Basket | Steel |



EL 130

P/N: 7697322

2 WAY COAXIAL

| | | | |
|------------|---------------------------------|-----------------|---------------|
| Dimension | 130 mm | Frequency Resp. | 80 ÷ 16000 Hz |
| Deep | 46 mm max | Impedance | 4 Ohm |
| Power | Nominal: 40 watt - Max: 80 watt | Cone | Paper |
| Efficiency | 90 dB | Basket | Steel |



EL 165

P/N: 7697323

2 WAY COAXIAL

| | | | |
|------------|----------------------------------|-----------------|---------------|
| Dimension | 165 mm | Frequency Resp. | 70 ÷ 16000 Hz |
| Deep | 57 mm max | Impedance | 4 Ohm |
| Power | Nominal: 50 watt - Max: 100 watt | Cone | Paper |
| Efficiency | 92 dB | Basket | Steel |



EL 4X6

P/N: 7697330

2 WAY COAXIAL

| | | | |
|----------------|---------------------------------|-----------------|---------------|
| Dimension | 90 x 150 mm | Frequency Resp. | 60 ÷ 20000 Hz |
| Power | 45 mm max | Cone | 4 Ohm |
| Impedance | Nominal: 25 watt - Max: 50 watt | Surround | Paper |
| Freq. response | 91 dB | Basket | Steel |



DC 100

P/N: 7697331

DUAL CONE

| | | | |
|------------|---------------------------------|-----------------|---------------|
| Dimension | 100 mm | Frequency Resp. | 80 ÷ 20000 Hz |
| Deep | 50 mm max | Impedance | 4 Ohm |
| Power | Nominal: 15 watt - Max: 30 watt | Cone | Paper |
| Efficiency | 90 dB | Basket | Steel |



ML 100

P/N: 7697332

2 WAY COAXIAL - NEODIMIUM TWEETER

| | | | |
|----------------|---------------------------------|-----------------|---------------|
| Dimension | 100 mm | Frequency Resp. | 90 ÷ 20000 Hz |
| Power | 42 mm max | Impedance | 4 Ohm |
| Impedance | Nominal: 40 watt - Max: 80 watt | Cone | Polycarbonate |
| Freq. response | 91 dB | Basket | Steel |



MON-7012

P/N: 7137730

LCD-TFT DISPLAY

| | |
|-------------------------|---------------------------------|
| Display Size | 7 inches |
| Video System | PAL/NTSC automatically selected |
| Screen Ratio | 16:9 |
| Resolution | 800 x 480 pixel |
| Image display | Single |
| Contrast | 500:1 |
| Rear Video Input | 3 |
| Front Audio/Video Input | 1 |
| Setting Menu | OSM Multilingual |
| Power Supply | 12/24 Volt |
| Camera Connector type | 4 PIN |
| Dimension (WxHxD) | 180x121x23 mm |



Note

MON-7012 Q

P/N: 7137731

LCD-TFT DISPLAY • MULTIVISION SYSTEM

| | |
|-------------------------|---------------------------------|
| Display Size | 7 inches |
| Video System | PAL/NTSC automatically selected |
| Screen Ratio | 16:9 |
| Resolution | 800 x 480 pixel |
| Image display | Single and Multivision support |
| Contrast | 500:1 |
| Rear Video Input | 4 |
| Front Audio/Video Input | 1 |
| Setting Menu | OSM Multilingual |
| Power Supply | 12/24 Volt |
| Camera Connector type | 4 PIN |
| Dimension (WxHxD) | 180x121x23 mm |



Note Multivision system support up to 4 camera at the same time

MON-7010Q AHD NEW

P/N: 7137780

ANALOGUE HIGH DEFINITION • DISPLAY LCD-TFT • MULTIVISION SYSTEM • DIGITAL VIDEO RECORDING (DVR)

| | |
|-------------------------|---------------------------------|
| Display Size | 7 inches |
| Video System | PAL/NTSC automatically selected |
| Screen Ratio | 16:9 |
| Resolution | 1024 x 600 pixel |
| Image display | Single and Multivision support |
| Contrast | 800:1 |
| Rear Video Input | 4 |
| Front Audio/Video Input | 1 |
| Setting Menu | OSM Multilingual |
| Power Supply | 12/24 Volt |
| Camera Connector type | 4 PIN |
| Dimension (WxHxD) | 180x121x24 mm |



Note Multivision system and Digital Video Recording (DVR) works with up to 4 camera at the same time

CAM-103

BASIC COLOR CAMERA

AVAILABLE VERSIONS

| | BLACK | WHITE |
|--------------|-------|-------|
| P/N: 7137735 | • | |
| P/N: 7137748 | | • |

TECHNICAL SPECIFICATION

ALUMINIUM ALLOY • IP68 PROTECTION GRADE

| | | | |
|----------------------|------------------------|-------------------|-------------------------------|
| Sensor type | 1/3 CCD Color | Connector | 4 PIN |
| Video System | PAL | Power Supply | 12V supplied from the monitor |
| Resolution | 600 TV lines | Shockproof | 4G |
| Minimum illumination | 0,5 lux | Weight | 400 g |
| Nigh Vision | 18 infrared led lights | Dimension (WxHxD) | 77 x 54 x 77 mm |
| Viewing angle | 120 degree | Mounting | U bracket |

Note



CAM-127 AHD NEW

AHD CAMERA

P/N: 7137767

ANALOGUE HIGH DEFINITION CAMERA (AHD) • CDS SYSTEM • ALUMINIUM ALLOY • IP69K PROTECTION GRADE

| | | | |
|----------------------|----------------|-------------------|-------------------------------|
| Sensor type | 1/3 CMOS | Connector | 4 PIN |
| Video System | PAL | Power Supply | 12V supplied from the monitor |
| Resolution | 1280 x 720 max | Shockproof | 4G |
| Minimum illumination | 0,1 lux | Weight | 300 g |
| Nigh Vision | CDS System | Dimension (WxHxD) | 86 X 77 X 75 mm |
| Viewing angle | 140 degree | Mounting | U bracket |

Note

CDS System assure a higher quality night vision - Compatible with Calearo MON-7010 Q AHD



CAM-970

INDUSTRIAL VEHICLE COLOR CAMERA

P/N: 7137738

ALUMINIUM ALLOY CAMERA IN A HIGH RESISTANT PLASTIC BOX • IP68 PROTECTION GRADE

| | | | |
|----------------------|------------------------|-------------------|-------------------------------|
| Sensor type | 1/4 CCD Color | Connector | 4 PIN |
| Video System | PAL | Power Supply | 12V supplied from the monitor |
| Resolution | 600 TV lines | Shockproof | 4G |
| Minimum illumination | 0,5 lux | Weight | 250 g |
| Nigh Vision | 10 infrared led lights | Dimension (WxHxD) | 129 X 59 X 205 mm |
| Viewing angle | 120 degree | Mounting | Screw |

Note Special design for bus, coach, motorhome and industrial vehicles suitable for eliminate blind spot



CAM-102

COLOR PIN CAMERA

P/N: 7137747

BUILT-IN MOUNTING • ALUMINIUM ALLOY • IP67 PROTECTION GRADE

| | | | |
|----------------------|------------------------|-------------------|-------------------------------|
| Sensor type | CMOS | Connector | 4 PIN |
| Video System | PAL | Power Supply | 12V supplied from the monitor |
| Resolution | 480 TV lines | Shockproof | 4G |
| Minimum illumination | 0,05 lux | Weight | 120 g |
| Nigh Vision | 10 infrared led lights | Max mounting deep | 62 mm |
| Viewing angle | 120 degree | Hole diameter | 26 mm |

Note Suitable for built-in installation



TRAILER EXTENSION CABLE

AVAILABLE VERSIONS

| | 1 CAMERA ON TRAILER | 2 CAMERAS ON TRAILER |
|--------------|---------------------|----------------------|
| P/N: 7137754 | • | |
| P/N: 7137755 | | • |

TECHNICAL SPECIFICATION

| | |
|---------------|--|
| Compatibility | Calearo Camera systems |
| Cable Type | Spiral cable - High resistant and flexible |
| Connections | Heavy duty with secur lock |

Note

P/N 7137754



P/N 7137755



4 PIN EXTENSION CABLE

AVAILABLE VERSIONS

| | 5 METERS | 10 METERS | 20 METERS |
|--------------|----------|-----------|-----------|
| P/N: 7137734 | • | | |
| P/N: 7137739 | | • | |
| P/N: 7137740 | | | • |

TECHNICAL SPECIFICATION

| | |
|---------------|----------------------------------|
| Compatibility | Calearo standard and AHD cameras |
| Cable Type | High resistant multicore cable |
| Connections | 4 PIN with secur lock |

Note

Dedicated cables for video signals and power supply to connect the Calearo cameras to the Calearo monitors

ADAPTER

AVAILABLE VERSIONS

| | CHANGE THE MONITOR CONNECTOR FROM 4 PIN TO RCA | CHANGE THE CAMERA CONNECTOR FROM 4 PIN TO RCA |
|--------------|--|---|
| P/N: 7137742 | • | |
| P/N: 7137743 | | • |

TECHNICAL SPECIFICATION

| | |
|---------------|----------------------------------|
| Compatibility | Calearo standard and AHD monitor |
| Cable Length | 300 mm |
| Connections | 4 PIN with secur lock RCA |

Note

SPEAKER GRILL

ACCESSORIES

| | DESCRIPTIONS | TYPE | MATERIALS |
|--------------|---------------------------------|--------|------------------------------|
| P/N: 7122003 | Square grill with visible screw | 100 mm | Plastic frame and metal grid |
| P/N: 7122020 | Square grill with visible screw | 130 mm | Plastic frame and metal grid |
| P/N: 7122021 | Square grill with visible screw | 165 mm | Plastic frame and metal grid |



| | DESCRIPTIONS | TYPE | MATERIALS |
|--------------|--------------------------------|--------|------------------------------|
| P/N: 7122012 | Round grill with hidden screw | 100 mm | Plastic frame and metal grid |
| P/N: 7122018 | Round grill with visible screw | 100 mm | Plastic frame and metal grid |
| P/N: 7122022 | Round grill with visible screw | 130 mm | Plastic frame and metal grid |
| P/N: 7122019 | Round grill with visible screw | 165 mm | Plastic frame and metal grid |



| | DESCRIPTIONS | TYPE | MATERIALS |
|--------------|-------------------------------------|-------------|------------------------------|
| P/N: 7122023 | Rectangular grid with visible screw | 150 x 90 mm | Plastic frame and metal grid |



BOX

ACCESSORIES

| | DESCRIPTIONS | TYPE | MATERIALS |
|--------------|-----------------|--------|------------------------------|
| P/N: 7122026 | Box for speaker | 100 mm | Plastic frame and metal grid |

Note Allow to mount the 100 mm speakers type on the dashboard, on the roof or in any other position inside the vehicle



FRAME

ACCESSORIES

| | DESCRIPTIONS | MATERIALS | DIMENSION |
|--------------|---|-----------|--|
| P/N: 7122025 | Black frame for 1 DIN radio with rounded profile | Metal | Internal: 1 DIN standard / External: 195 x 68 mm max |
| Note | Allow to adapt the radio slot to the 1 DIN standard | | |




















COVER

ACCESSORIES

| | DESCRIPTIONS | MATERIALS | DIMENSION |
|--------------|--------------------------------------|-----------|--|
| P/N: 7122017 | 1 DIN COVER | Plastic | 189 x 66 mm |
| P/N: 7122138 | 2 DIN COVER | Plastic | 189 x 110 mm |
| Note | Allow to cover the radio preparation | Note | Allow to cover the radio preparation compartment |



ICONS DESCRIPTION

| | |
|---|--|
|  | DAB Tuner for DigitalRadio |
|  | Backup memory for settings and stored channels |
|  | IP 54 class protection |
|  | Dust and water spray protection for tough working conditions |
|  | Radio Data System (RDS) displays several types of information (time, station identification and programme information) |
|  | MP3 player |
|  | SD card input |
|  | Micro SD card input |
|  | USB input |
|  | Auxiliary input for audio jack |
|  | Preamplified signal output |
|  | Subwoofer output |
|  | Bluetooth™ for handsfree and audio streaming (A2DP) |
|  | External microphone for handsfree communications |
|  | Quick search for MP3 file |
|  | Detachable panel |
|  | Short body |

Index per part number

| PART NUMBER | SEE PAGE | PART NUMBER | SEE PAGE | PART NUMBER | SEE PAGE | PART NUMBER | SEE PAGE |
|--------------------------|----------|--------------------------|----------|--------------------------|----------|--------------------------|----------|
| 7122003 | 91 | 7137734 | 90 | 7581011 | 73 | 7581183 | 73 |
| 7122012 | 91 | 7137735 | 88 | 7581012 | 73 | 7581185 | 73 |
| 7122017 | 92 | 7137738 | 89 | 7581013 | 73 | 7581187 | 73 |
| 7122018 | 91 | 7137739 | 90 | 7581014 | 73 | 7581193 | 73 |
| 7122019 | 91 | 7137740 | 90 | 7581015 | 73 | 7581195 | 73 |
| 7122020 | 91 | 7137742 | 90 | 7581020 | 74 | 7581197 | 73 |
| 7122021 | 91 | 7137743 | 90 | 7581023 | 74 | 7590007 | 62 |
| 7122022 | 91 | 7137747 | 88 | 7581029 | 74 | 7590008 | 63 |
| 7122023 | 91 | 7137748 | 88 | 7581034 | 74 | 7590009 | 62 |
| 7122025 | 92 | 7137754 | 90 | 7581045 | 74 | 7590013 | 63 |
| 7122026 | 91 | 7137755 | 90 | 7581046 | 74 | 7627008 | 28 |
| 7122138 | 92 | 7137767 | 89 | 7581059 | 71 | 7640006 | 45 |
| 7127220 | 72 | 7137780 | 87 | 7581071 | 72 | 7651006 | 25 |
| 7130003 | 70 | 7181113 | 71 | 7581072 | 72 | 7657008 | 25 |
| 7130005 | 78 | 7420002 | 70 | 7581077 | 71 | 7657009 | 24 |
| 7131003 | 72 | 7420003 | 70 | 7581094 | 74 | 7657015 | 24 |
| 7131004 | 72 | 7542030 | 70 | 7581095 | 74 | 7657016 | 25 |
| 7131006 | 72 | 7550028 | 79 | 7581096 | 74 | 7657019 | 24 |
| 7131009 | 72 | 7551019 | 79 | 7581101 | 70 | 7657020 | 25 |
| 7131011 | 72 | 7551027 | 80 | 7581105 | 72 | 7657021 | 24 |
| 7131041 | 72 | 7551028 | 81 | 7581106 | 71 | 7667010 | 26 |
| 7131047 | 74 | 7551029 | 81 | 7581107 | 71 | 7667011 | 26 |
| 7131050 | 78 | 7551033 | 79 | 7581109 | 71 | 7667012 | 27 |
| 7131051 | 78 | 7551037 | 79 | 7581116 | 73 | 7667013 | 27 |
| 7131052 | 78 | 7551038 | 79 | 7581118 | 71 | 7677153 | 28 |
| 7131053 | 78 | 7551039 | 79 | 7581122 | 72 | 7677154 | 29 |
| 7131055 | 78 | 7551040 | 80 | 7581123 | 71 | 7677155 | 29 |
| 7131056 | 78 | 7551041 | 81 | 7581134 | 70 | 7677500 | 12 |
| 7132020 | 71 | 7551042 | 81 | 7581135 | 71 | 7677510 | 12 |
| 7132074 | 71 | 7551045 | 80 | 7581147 | 73 | 7677520 | 12 |
| 7132078 | 64 - 72 | 7551046 | 80 | 7581148 | 73 | 7677805 | 17 |
| 7132079 | 64 - 72 | 7552012 | 79 | 7581157 | 71 | 7677810 | 13 |
| 7132080 | 64 - 72 | 7552017 | 79 | 7581160 | 70 | 7677815 | 13 |
| 7132081 | 64 - 72 | 7552090 | 80 | 7581161 | 70 | 7677820 | 13 |
| 7132082 | 65 - 72 | 7561004 | 64 | 7581162 | 70 | 7677825 | 13 |
| 7132083 | 65 - 72 | 7561006 | 65 | 7581163 | 70 | 7677830 | 13 |
| 7132084 | 65 - 72 | 7561007 | 65 | 7581164 | 70 | 7677840 | 18 |
| 7132085 | 65 - 72 | 7561011 | 73 | 7581165 | 70 | 7677845 | 18 |
| 7132087 | 64 | 7561012 | 73 | 7581166 | 70 | 7677850 | 19 |
| 7137122 | 31 | 7561013 | 73 | 7581167 | 70 | 7677855 | 19 |
| 7137134 | 32 | 7561014 | 73 | 7581168 | 70 | 7677860 | 20 |
| 7137567 | 84 | 7561015 | 73 | 7581170 | 74 | 7677865 | 20 |
| 7137574 | 84 | 7561018 | 65 | 7581171 | 74 | 7677870 | 21 |
| 7137577 | 85 | 7562016 | 67 | 7581172 | 74 | 7677872 | 21 |
| 7137594 | 85 | 7562019 | 66 | 7581173 | 73 | 7677874 | 21 |
| 7137730 | 87 | 7562030 | 64 | 7581175 | 73 | 7677876 | 22 |
| 7137731 | 87 | 7581010 | 73 | 7581177 | 73 | 7677878 | 23 |
| 712 ... ~ 713 ... | | 713 ... ~ 758 ... | | 758 ... ~ 758 ... | | 758 ... ~ 767 ... | |

| PART NUMBER | SEE PAGE | PART NUMBER | SEE PAGE | PART NUMBER | SEE PAGE | PART NUMBER | SEE PAGE |
|--------------------------|-----------------|--------------------------|-----------------|--------------------------|-----------------|--------------------------|-----------------|
| 7677880 | 23 | 7697322 | 86 | 7771002 | 48 | 8510031 | 74 |
| 7677882 | 22 | 7697323 | 86 | 7771003 | 48 | 8510050 | 74 |
| 7677890 | 15 | 7697330 | 86 | 7771004 | 46 | 8510051 | 74 |
| 7677892 | 15 | 7697331 | 86 | 7771005 | 46 | 8510064 | 74 |
| 7677894 | 15 | 7697332 | 86 | 7771010 | 45 | 8610010 | 59 |
| 7677925 | 30 | 7727082 | 14 | 7771015 | 49 | 8610028 | 38 |
| 7677926 | 30 | 7727083 | 14 | 7771020 | 50 | 8610103 | 59 |
| 7677929 | 30 | 7727098 | 37 | 7771025 | 51 | 8610118 | 59 |
| 7677938 | 31 | 7727099 | 37 | 7771030 | 52 | 8610138 | 56 |
| 7677951 | 33 | 7731010 | 39 | 7771040 | 49 | 8610139 | 56 |
| 7677955 | 33 | 7750004 | 41 | 7771050 | 44 | 8610141 | 56 |
| 7677965 | 16 | 7750006 | 41 | 7771060 | 44 | 8610142 | 56 |
| 7681052 | 38 | 7757001 | 41 | 7771070 | 44 | 8610144 | 58 |
| 7681080 | 40 | 7757006 | 41 | 7771080 | 44 | 8610145 | 58 |
| 7681095 | 40 | 7770057 | 36 | 8510004 | 74 | 8610146 | 38 |
| 7697015 | 32 | 7770058 | 36 | 8510009 | 74 | 8610147 | 38 |
| 7697018 | 32 | 7770059 | 36 | 8510012 | 74 | 8610148 | 38 |
| 7697320 | 86 | 7771000 | 47 | 8510015 | 74 | 8610155 | 57 |
| 7697321 | 86 | 7771001 | 47 | 8510029 | 74 | 8610156 | 57 |
| 767 ... ~ 769 ... | | 769 ... ~ 777 ... | | 777 ... ~ 851 ... | | 851 ... ~ 861 ... | |

Calearo persegue costantemente una politica di continua ricerca e sviluppo.
Pertanto si riserva il diritto di modificare le caratteristiche tecniche e/o estetiche
dei suoi prodotti in qualsiasi momento e senza alcun preavviso.

Calearo has always pursued a policy of continuous research and development.
Therefore the Company reserves the right to modify technical and/or aesthetical features
of its products at any time and without prior notice.

Die Firma Calearo betreibt ständige Forschungs- und Entwicklungspolitik und behält sich
das Recht vor, jederzeit technische und/oder ästhetischen Änderungen ihrer Produkte ohne
vorherige Benachrichtigung vorzunehmen.

Calearo poursuit une politique continue de développement et d'amélioration et,
par conséquent, se réserve tout droit de modifier les caractéristiques techniques
et/ou esthétiques de ses produits à n'importe à quel moment et sans préavis.

Calearo apuesta por una política constante de desarrollo e innovación.
Por lo que, se reserva el derecho de modificar las características tanto técnicas
como estéticas de sus productos en cualquier momento y sin ningún preaviso.

Компания Calearo постоянно занимается исследованиями и разработками.
Поэтому Компания оставляет за собой право изменять любые технические характеристики
и/или дизайн своего продукта в любой момент без дополнительного уведомления.

Calearo heeft altijd een beleid van continue research en ontwikkeling nagestreeft.
Daartoe behoudt het bedrijf het recht om te allen tijde en zonder voorafgaande kennisgeving
technische en/of esthetische aanpassingen in haar producten te doen.

REV. 02/21





Worldwide By

Calero Antenne S.p.a.

Via Bacchiglione, 49

36033 - Isola Vicentina, (VI) - ITALY

Tel. (+39) 0444 901311 - Fax (+39) 0444 901375

info@calero.com - www.calero.com

X-ON Electronics

Largest Supplier of Electrical and Electronic Components

Click to view similar products for [Radio Car Antennas](#) category:

Click to view products by [CALEARO](#) manufacturer:

Other Similar products are found below :

[7667012](#) [7677882](#) [7727083](#) [7677500](#) [7677805](#) [650-323-011](#) [A00001.C](#) [A00003](#) [A00006](#) [A00010](#) [A00102](#) [A00103](#) [A00106](#) [A00107](#)
[A00110](#) [A00007.C](#) [A00118-05](#) [7651006](#) [7657008](#) [7657009](#) [7657016](#) [7657019](#) [7657020](#) [7657021](#) [7677153](#) [7697015](#) [7697018](#) [A00030-05](#)
[A00031-05](#) [A00120-05](#) [1508-01-0](#) [ANT0202](#) [ANT0203](#) [8223](#) [8224](#) [632-036-001](#) [A00022-05](#) [A00119-05](#) [7677154](#) [7677155](#) [7677815](#)
[7677820](#) [7677830](#) [7677840](#) [7677845](#) [7677850](#) [7677855](#) [7677865](#) [7677870](#) [7677878](#)