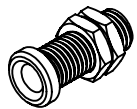
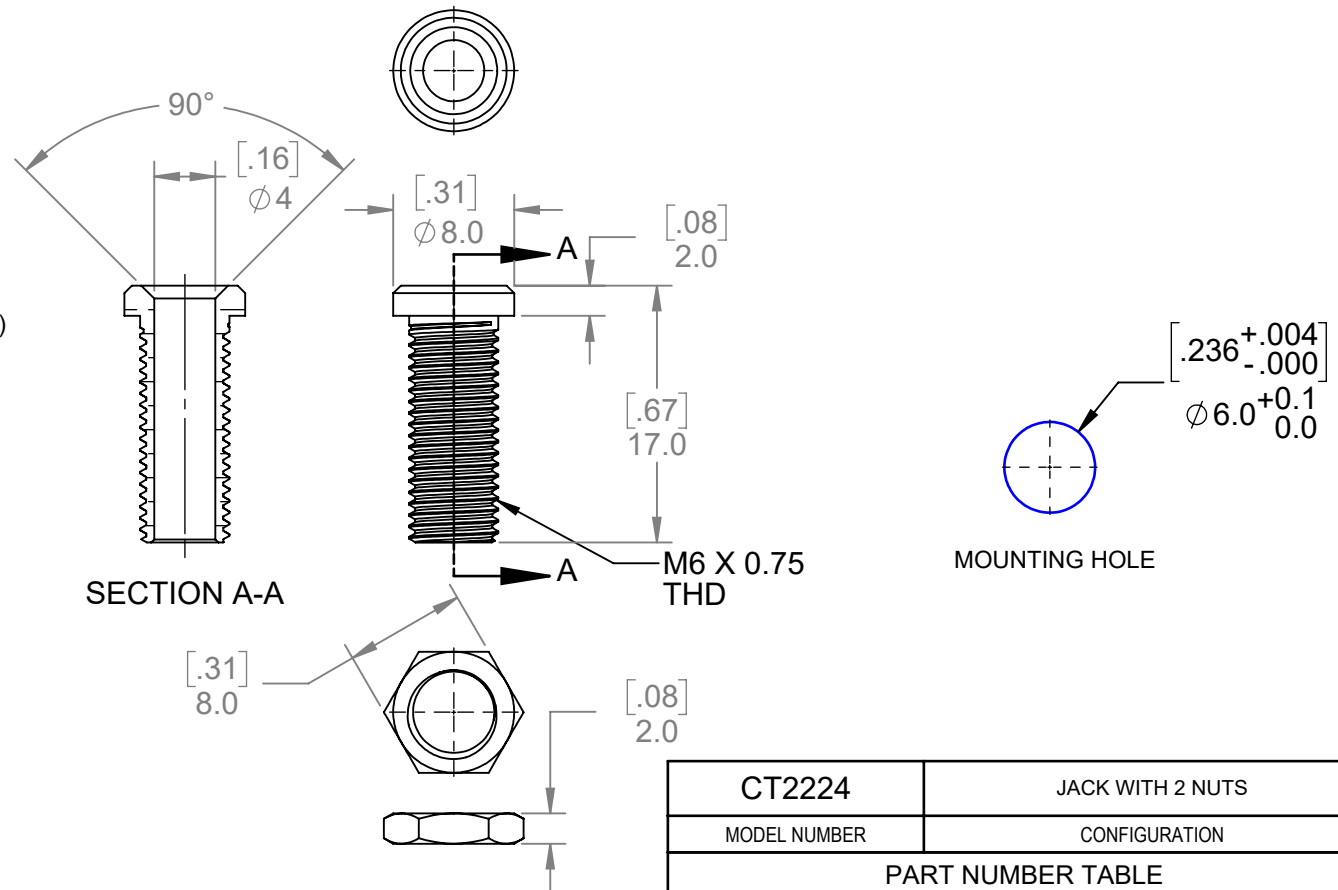


THIS IS ISSUED IN STRICT CONFIDENCE THAT IT IS NOT USED AS A BASIS FOR MANUFACTURE OR SALE AND THAT IT IS NOT COPIED, REPRINTED OR DISCLOSED TO A THIRD PARTY EITHER WHOLLY OR IN PART WITHOUT THE PRIOR WRITTEN CONSENT OF CAL TEST ELECTRONICS, INC.

REVISIONS			
REV.	DESCRIPTION	DATE	APPROVED
A	CLASS A RELEASE	7/12/1999	
B	UPDATED TO METRIC AND SW FORMAT	6/6/2019	

NOTES:

- MATERIAL:
BODY & NUTS: BRASS, NICKEL PLATED.
- SPECIFICATIONS:
CURRENT: 36 A MAX.
TEMPERATURE: -20°C TO +150°C
- SUPPLIED WITH 2 HEX NUTS. MODEL CT3156.
- MOUNTING HOLE: REFERENCE DIAGRAM.
- MAXIMUM PANEL THICKNESS: 12.7 mm (0.50).
- RoHS 2 COMPLIANT; EXEMPTION ANNEX III 6(c)
- WEIGHT:
INDIVIDUAL: 2.9 g/pc



ISOMETRIC VIEW
SCALE 1:1

METRIC

UNLESS OTHERWISE SPECIFIED DIMENSIONS ARE IN MILLIMETERS TOLERANCES ARE:
PER DIN ISO 2768m

PROJECT NO.

N/A

Cal Test Electronics

22820 Savi Ranch Parkway
Yorba Linda, CA 92887

DO NOT SCALE DRAWING

THIRD ANGLE PROJECTION

MATERIAL
SEE NOTES

APPROVALS

DATE

TITLE

4 mm BANANA JACK, UN-INSULATED, THRU-HOLE

DRAWN

WDH

5/29/2019

CHECKER

B.Hansen

6/6/2019

TREATMENT
n/a

ENGR.

DESIGN ACTIVITY

SIZE

A

CAGE CODE

43F45

DWG. NO.

P222400

REV.

B

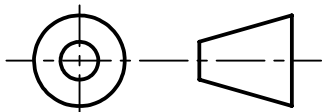
FINISH
SEE NOTES

SCALE

2:1

SHEET

1 OF 1



X-ON Electronics

Largest Supplier of Electrical and Electronic Components

Click to view similar products for [Test Plugs & Test Jacks](#) category:

Click to view products by [Cal Test](#) manufacturer:

Other Similar products are found below :

[01-2601-4-0210](#) [01-2601-4-0212](#) [01-2604-4-0212](#) [01-2150-1-0312](#) [01-2350-1-02](#) [01-2368-1-02](#) [01-2604-5-0212](#) [01-2606-4-0210](#) [01-2606-4-0212](#) [01-2606-5-0212](#) [M39024/11-09G](#) [M39024/11-42](#) [M39024/11-43](#) [M39024/12-08](#) [707-5311](#) [707-5402-01-19](#) [707-5410](#) [R644543000](#) [R948161000](#) [R999351000](#) [1408-4](#) [1533-1](#) [1659559](#) [1659567](#) [1663921](#) [1663939](#) [1696-102](#) [174-R825B-EX](#) [NYS508-BU](#) [NYS508-O](#) [211-101](#) [RS100GBL](#) [RS250GBL](#) [251-102](#) [25-2251-2-03](#) [25-2259-2-03](#) [923743-28-I](#) [2854-BLU](#) [2970-BLK](#) [30-443G](#) [1909861](#) [1916120](#) [1918007](#) [1919515](#) [1929125](#) [1944375](#) [2032761](#) [204-103](#) [2079](#) [2435108](#)