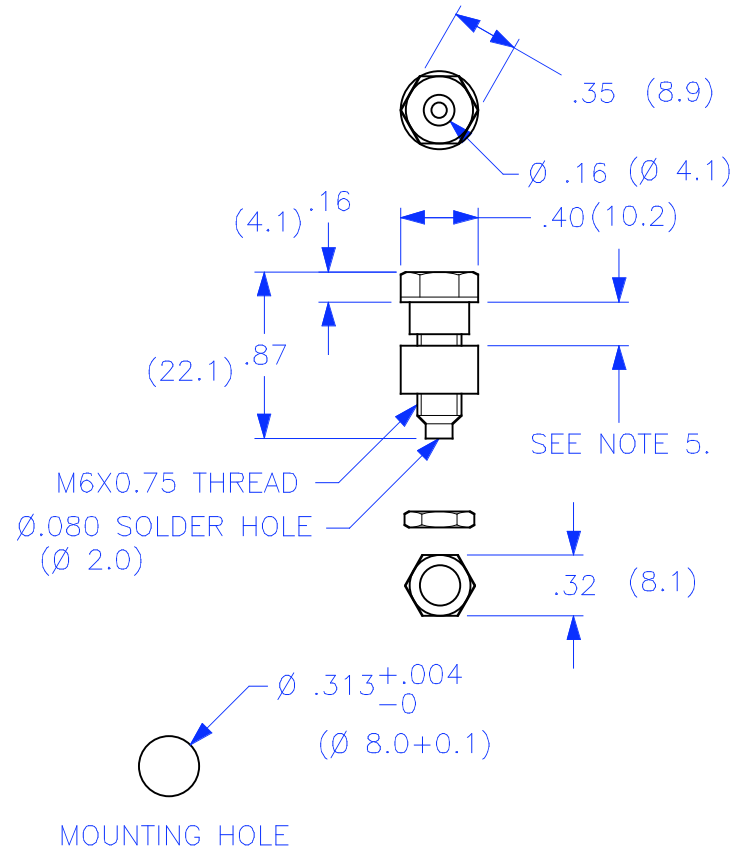


THIS IS ISSUED IN STRICT CONFIDENCE THAT IT IS NOT USED AS A BASIS FOR MANUFACTURE OR SALE AND THAT IT IS NOT COPIED, REPRINTED OR DISCLOSED TO A THIRD PARTY EITHER WHOLLY OR IN PART WITHOUT THE PRIOR WRITTEN CONSENT OF CAL TEST ELECTRONICS, INC.

REVISIONS			
REV.	DESCRIPTIONS	DATE	APPROVED
—	CLASS A RELEASED	7/11/99	

- 4mm INSULATED JACK, SOLDER.
- SPECIFICATIONS:
INSULATOR: POLYAMIDE (NYLON)
JACK BODY: BRASS, NICKEL PLATED
NUT: BRASS, NICKEL PLATED
- RATING:
VOLTAGE: 1,200V AC/DC
CURRENT: 36A MAX.
TEMPERATURE: -20° C TO +80° C.
- MOUNTING HOLE: REFERENCE DIAGRAM.
- MAXIMUM PANEL THICKNESS: .20 (5.1)



PART NUMBER

CT2228-#

COLOR: 0 — BLACK
2 — RED
4 — YELLOW
5 — GREEN
6 — BLUE
9 — WHITE

THIRD ANGLE PROJECTION		UNLESS OTHERWISE SPECIFIED DIMENSIONS ARE IN INCHES TOLERANCES ARE: FRACTIONS DECIMALS ± 1/32 .XX ± .02 .XXX ± .005 DO NOT SCALE DRAWING	CONTRACT NO.		Cal Test Electronics 22820 Savi Ranch Parkway Yorba Linda, CA 92887-4610			
			APPROVALS	DATE	TITLE			
NEXT ASSY		MATERIAL	DRAWN	43F45	4mm INSULATED JACK, SOLDER			
USED ON		FINISH	CHECKED		SIZE	CAGE CODE	DWG. NO.	REV.
APPLICATION			ENGR.		A	43F45	P222800	—
			DESIGN ACTIVITY		SCALE	1:1	SHEET	1 OF 1

X-ON Electronics

Largest Supplier of Electrical and Electronic Components

Click to view similar products for [Test Plugs & Test Jacks](#) category:

Click to view products by [Cal Test](#) manufacturer:

Other Similar products are found below :

[01-2601-4-0210](#) [01-2601-4-0212](#) [01-2604-4-0212](#) [01-2150-1-0312](#) [01-2350-1-02](#) [01-2368-1-02](#) [01-2604-5-0212](#) [01-2606-4-0210](#) [01-2606-4-0212](#) [01-2606-5-0212](#) [M39024/11-09G](#) [M39024/11-42](#) [M39024/11-43](#) [M39024/12-08](#) [707-5311](#) [707-5402-01-19](#) [707-5410](#) [R644543000](#) [R948161000](#) [R999351000](#) [1408-4](#) [1533-1](#) [1659559](#) [1659567](#) [1663921](#) [1663939](#) [1696-102](#) [174-R825B-EX](#) [NYS508-BU](#) [NYS508-O](#) [211-101](#) [RS100GBL](#) [RS250GBL](#) [251-102](#) [25-2251-2-03](#) [25-2259-2-03](#) [923743-28-I](#) [2854-BLU](#) [2970-BLK](#) [30-443G](#) [1909861](#) [1916120](#) [1918007](#) [1919515](#) [1929125](#) [1944375](#) [2032761](#) [204-103](#) [2079](#) [2435108](#)