

THIS IS ISSUED IN STRICT CONFIDENCE THAT IT IS NOT USED AS A BASIS FOR MANUFACTURE OR SALE AND THAT IT IS NOT COPIED, REPRINTED OR DISCLOSED TO A THIRD PARTY EITHER WHOLLY OR IN PART WITHOUT THE PRIOR WRITTEN CONSENT OF CAL TEST ELECTRONICS, INC.

- 4mm SAFETY JACK w/M4 STUD & (2) HEX NUTS, STANDARD ROUND PANEL NUT (CT2236-#).
- SPECIFICATIONS:
INSULATOR: POLYAMIDE (NYLON).
CONTACT: BRASS, NICKEL PLATED
LOCKING NUT (ROUND AND HEX): BRASS, NICKEL PLATED
- RATING:
VOLTAGE: 1,000 V CAT III/600 V CAT IV P2 (IEC 61010-031)
CURRENT: 36 A MAX.
RESISTANCE: <12 m.
TEMPERATURE: -20° C TO +80° C..

CE DECLARATION OF CONFORMITY
CONFORMS TO RoHS 2, ANNEX III 6(c) EXEMPTION.

- MOUNTING HOLE: REF. DIAGRAM.
- INSULATOR THREAD, M12 X 0.75. MAX. TORQUE 1.7 ft-lb (2.3 Nm) @ 20°C.
- MAXIMUM PANEL THICKNESS: .40 (10).
- RECOMMENDED ASSEMBLY TOOL: CT2246A (FOR STANDARD ROUND PANEL LOCKING NUT).
- SAFETY JACK AVAILABLE WITH 14 mm HEX PANEL NUT (CT2236-HEX-# ON SPECIAL ORDER).

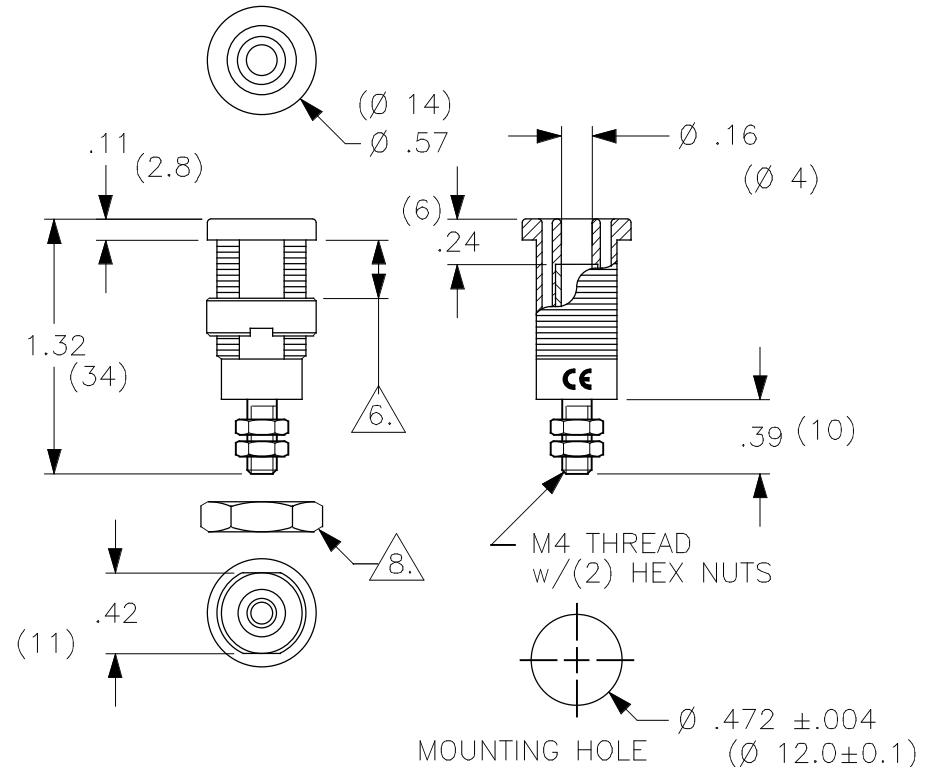
PART NUMBERS

CT2236-HEX-#
CT2236-#

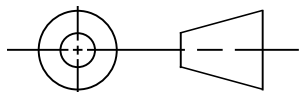
- COLOR: 0 - BLACK
1 - BROWN
2 - RED
3 - ORANGE (SPECIAL)
4 - YELLOW
5 - GREEN
6 - BLUE
7 - PURPLE
8 - GRAY
9 - WHITE

REVISIONS

REV.	DESCRIPTIONS	DATE	APPROVED
-	CLASS A RELEASED	7/12/99	
A	ADDED CAGE CODE	6/10/05	
B	NOTE 2, MAT'L WAS POLYACETAL	5/19/06	
C	COLOR ORANGE ADDED AS SPECIAL; REVISED NOTE 5 WITH NUT TORQUE SPECIFICATION; NOTED RoHS COMPLIANCE.	6/2/09	
D	ADDED PART NUMBER CT2236-HEX-# AND NOTE 8; REVISED NOTE 3 WITH CE AND RoHS NOTATION.	8/29/16	



THIRD ANGLE PROJECTION



UNLESS OTHERWISE SPECIFIED
DIMENSIONS ARE IN INCHES
TOLERANCES ARE:
FRACTIONS DECIMALS
± 1/32 .XX ± .02
 .XXX ± .005
DO NOT SCALE DRAWING

CONTRACT NO.

APPROVALS	DATE
DRAWN WDH	7/12/99
CHECKED	
ENGR.	
DESIGN ACTIVITY	

Cal Test Electronics

22820 Savi Ranch Parkway
Yorba Linda, CA 92887-4610

TITLE
**4 mm SAFETY JACK, PANEL
w/M4 STUD**

SIZE	CAGE CODE	DWG. NO.	REV.
A	43F45	P223600	D
SCALE 1:1	SHEET 1 OF 1		

MATERIAL	FINISH
NEXT ASSY	USED ON
APPLICATION	

X-ON Electronics

Largest Supplier of Electrical and Electronic Components

Click to view similar products for [Test Plugs & Test Jacks](#) category:

Click to view products by [Cal Test](#) manufacturer:

Other Similar products are found below :

[01-2601-4-0210](#) [01-2601-4-0212](#) [01-2604-4-0212](#) [01-2350-1-02](#) [01-2368-1-02](#) [01-2606-4-0210](#) [01-2606-5-0212](#) [M39024/11-09G](#)
[M39024/11-42](#) [M39024/11-43](#) [M39024/12-08](#) [707-5311](#) [707-5402-01-19](#) [707-5410](#) [R948161000](#) [1408-4](#) [1533-1](#) [1659559](#) [1659567](#)
[1663921](#) [1663939](#) [1696-102](#) [174-R825B-EX](#) [1905509](#) [1905527](#) [1914916](#) [211-101](#) [RS100GBL](#) [RS250GBL](#) [251-102](#) [25-2251-2-03](#) [25-](#)
[2259-2-03](#) [923743-28-I](#) [2854-BLU](#) [2970-BLK](#) [30-443G](#) [1909861](#) [1916120](#) [1916466](#) [1918007](#) [1919515](#) [1920271](#) [1929125](#) [1933440](#)
[1938303](#) [1944375](#) [204-103](#) [2079](#) [2435108](#) [2803-102](#)