

**THIS IS ISSUED IN STRICT CONFIDENCE THAT IT IS NOT USED AS A BASIS FOR MANUFACTURE OR SALE AND THAT IT IS NOT COPIED, REPRINTED OR DISCLOSED TO A THIRD PARTY EITHER WHOLLY OR IN PART WITHOUT THE PRIOR WRITTEN CONSENT OF CAL TEST ELECTRONICS, INC.**

- 4mm SAFETY JACK w/.25 FASTON® TERMINAL.
- SPECIFICATIONS:  
INSULATOR: POLYAMIDE (NYLON).  
CONTACT: BRASS, NICKEL PLATED  
LOCKING NUT: BRASS, NICKEL PLATED
- RATING:  
VOLTAGE: 1,000 V CAT III/600 V CAT IV P2 (IEC61010-031)  
CURRENT: 36 A MAX.  
RESISTANCE: <5 mΩ.  
TEMPERATURE: -20° C TO +80° C.
- MOUNTING HOLE: REF. DIAGRAM.
- INSULATOR THREAD, M12 X 0.75. MAX. TORQUE 1.7 ft-lb (2.3 Nm) AT 20° C.
- MAXIMUM PANEL THICKNESS: .40 (10).
- RECOMMENDED ASSEMBLY TOOL: CT2246A.

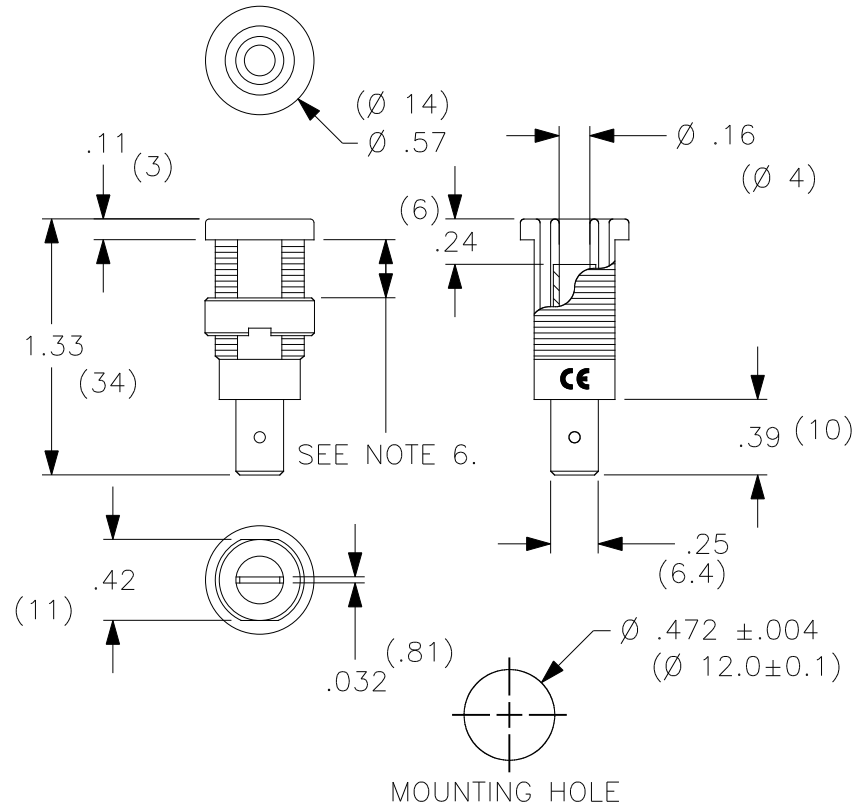
**PART NUMBER**

**CT2238-#**

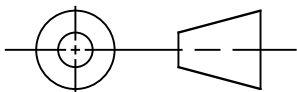
- COLOR:
- 0 - BLACK
  - 1 - BROWN
  - 2 - RED
  - 3 - ORANGE (SPECIAL)
  - 4 - YELLOW
  - 5 - GREEN
  - 6 - BLUE
  - 7 - PURPLE
  - 8 - GRAY
  - 9 - WHITE

CONFORMITY TO RoHS 2002/95/EC

REVISIONS			
REV.	DESCRIPTIONS	DATE	APPROVED
-	CLASS A RELEASED	7/12/99	
A	TITLE, ORANGE DISCONTINUED	9/20/03	
B	NOTE 2, MAT'L WAS POLYACETAL	5/19/06	
C	COLOR ORANGE RE-ADDED AS SPECIAL; REVISED NOTE 5 WITH NUT TORQUE SPECIFICATION; NOTED RoHS COMPLIANCE.	6/2/09	



**THIRD ANGLE PROJECTION**



UNLESS OTHERWISE SPECIFIED DIMENSIONS ARE IN INCHES TOLERANCES ARE:  
FRACTIONS DECIMALS  
± 1/32 .XX ± .02  
          .XXX ± .005  
**DO NOT SCALE DRAWING**

**CONTRACT NO.**

**APPROVALS**

**DATE**

DRAWN WDH

7/12/99

CHECKED

ENGR.

DESIGN ACTIVITY

**Cal Test Electronics**

22820 Savi Ranch Parkway  
Yorba Linda, CA 92887-4610

**TITLE**

**4mm SAFETY JACK, PANEL  
w/.25 FASTON® TERMINAL**

**SIZE  
A**

**CAGE CODE  
43F45**

**DWG. NO.**

**P223800**

**REV.  
C**

**SCALE 1:1**

**SHEET 1 OF 1**

**NEXT ASSY**

**USED ON**

**APPLICATION**

## X-ON Electronics

Largest Supplier of Electrical and Electronic Components

*Click to view similar products for [Test Plugs & Test Jacks](#) category:*

*Click to view products by [Cal Test](#) manufacturer:*

Other Similar products are found below :

[01-2601-4-0210](#) [01-2601-4-0212](#) [01-2604-4-0212](#) [01-2150-1-0312](#) [01-2350-1-02](#) [01-2368-1-02](#) [01-2604-5-0212](#) [01-2606-4-0210](#) [01-2606-4-0212](#) [01-2606-5-0212](#) [M39024/11-09G](#) [M39024/11-42](#) [M39024/11-43](#) [M39024/12-08](#) [707-5311](#) [707-5402-01-19](#) [707-5410](#) [R644543000](#) [R948161000](#) [R999351000](#) [1408-4](#) [1533-1](#) [1659559](#) [1659567](#) [1663921](#) [1663939](#) [1696-102](#) [174-R825B-EX](#) [NYS508-BU](#) [NYS508-O](#) [211-101](#) [RS100GBL](#) [RS250GBL](#) [251-102](#) [25-2251-2-03](#) [25-2259-2-03](#) [923743-28-I](#) [2854-BLU](#) [2970-BLK](#) [30-443G](#) [1909861](#) [1916120](#) [1918007](#) [1919515](#) [1929125](#) [1944375](#) [2032761](#) [204-103](#) [2079](#) [2435108](#)