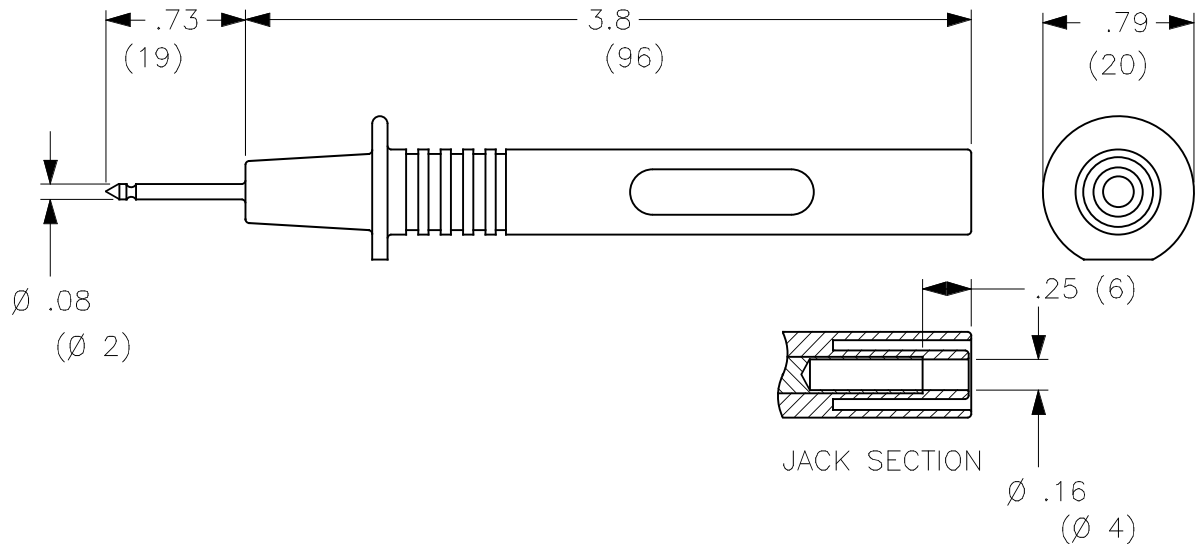


THIS IS ISSUED IN STRICT CONFIDENCE THAT IT IS NOT USED AS A BASIS FOR MANUFACTURE OR SALE AND THAT IT IS NOT COPIED, REPRINTED OR DISCLOSED TO A THIRD PARTY EITHER WHOLLY OR IN PART WITHOUT THE PRIOR WRITTEN CONSENT OF CAL TEST ELECTRONICS, INC.

- STANDARD PROBE BODY WITH 2 mm PIN TIP.
- SPECIFICATIONS:  
INSULATOR: POLYAMIDE (NYLON).  
PROBE TIP & BANANA PLUG JACK: BRASS, NICKEL PLATED
- RATING:  
VOLTAGE: 1,000 V CAT II P2 (IEC 61010-031)  
CURRENT: 36 A MAX.  
TEMPERATURE: -20° TO +80°C.

CE DECLARATION OF CONFORMITY  
CONFORMS TO RoHS 2, ANNEX III 6(c) EXEMPTION.

REVISIONS			
REV.	DESCRIPTIONS	DATE	APPROVED
-	CLASS A RELEASED	7/21/00	
A	ADDED CAGE CODE; UPDATED IEC VOLTAGE SPECIFICATION, WAS CAT III.	6/10/05	



**PART NUMBERS**

**CT2266-#**

COLOR: **0** - BLACK  
**2** - RED

THIRD ANGLE PROJECTION		UNLESS OTHERWISE SPECIFIED DIMENSIONS ARE IN INCHES TOLERANCES ARE: FRACTIONS    DECIMALS ± 1/32        .XX ± .02 .XXX ± .005 DO NOT SCALE DRAWING	CONTRACT NO.		<b>Cal Test Electronics</b> 22820 Savi Ranch Parkway Yorba Linda, CA 92887-4610			
			APPROVALS	DATE	TITLE			
NEXT ASSY		MATERIAL	DRAWN	7/12/99	STANDARD PROBE BODY w/2 mm PIN TIP			
USED ON		FINISH	CHECKED	ENGR.	SIZE	CAGE CODE	DWG. NO.	REV.
APPLICATION		DESIGN ACTIVITY			<b>A</b>	<b>43F45</b>	<b>P226600</b>	<b>A</b>
					SCALE	1:1	SHEET	1 OF 1

## X-ON Electronics

Largest Supplier of Electrical and Electronic Components

*Click to view similar products for [Test Probes](#) category:*

*Click to view products by [Cal Test](#) manufacturer:*

Other Similar products are found below :

[6214](#) [6474](#) [815003](#) [923832-BK-B](#) [P-KIT-1](#) [KT-MS001](#) [925250-R](#) [973368101](#) [972318101](#) [972318100](#) [MXHQ87WJ3000](#) [PK106-3](#) [PK2-5MM-102](#) [TAS90](#) [VL1735/45](#) [973368100](#) [972327100](#) [972327101](#) [973995100](#) [973995101](#) [CT3982B-120](#) [MO50-PINS](#) [CT4386](#) [PP023-1](#) [PK1-5MM-127](#) [PK103](#) [PK-ZS-013](#) [P6139B-PK10](#) [PQ215](#) [PQ218](#) [RT-ZI10C](#) [TT-SI 8071](#) [TT-SI 8050](#) [TT-SI 8010A](#) [TT-SI 7005](#) [GE.3421](#) [GE.2521](#) [GE.3121](#) [GE.1511](#) [GE.1521](#) [GE.2511](#) [GE.4511](#) [HVP15B](#) [TT-SI7002](#) [4005](#) [4011](#) [4012](#) [4013](#) [4014](#) [4015](#)