

Economy BNC & N Type Adapter Kit

● CT2702A



FEATURES:

- BNC & N Type 50Ω Connectors
- Gold plated center contacts
- Storage case

APPLICATIONS:

- Production Testing Stations
- Service & Repair Facilities
- Educational Test Benches

ECONOMICAL ADAPTER ACCESSORY KIT FOR BASIC RF INTERCONNECTION NEEDS:

Model CT2702A Economy BNC & N Type Adapter Kit provides a comprehensive range of in-series and between-series BNC and N Type coaxial adapters for basic RF testing and troubleshooting needs. The 12 piece kit, packaged in a convenient foam-lined storage case for easy selection and use, is ideal for all popular instruments from Agilent®, B&K Precision®, Tektronix® & others. The kit contains the most commonly used BNC and N Type adapters for

everyday testing. All components feature 50Ω impedance, gold plated center contacts, and low VSWR to ensure accurate repeatable measurements.

For additional product information or cross-references visit our web site at www.caltestelectronics.com.

SPECIFICATIONS:

- Impedance - 50 Ω
- Frequency Range - see table
- VSWR Max - see table
- Working temperature - -20° to +80° C
- Connectors: BNC & N type:
 - Body - Brass, Nickel Plated
 - Dielectric - PTFE & Delrin®
 - Center Contact - Brass, Gold Plated

Specifications and appearance subject to change without notice
P2702A0 042106

1 - www.caltestelectronics.com : RF Adapters, Cables & Kits>RF Adapters>Economy BNC & N Type Adapter Kit



ORDER INFORMATION:**CT2702A**

Economy BNC & N Type Accessory Kit

CONTACT INFO:

Toll Free: 888-256-2246 (US Only)

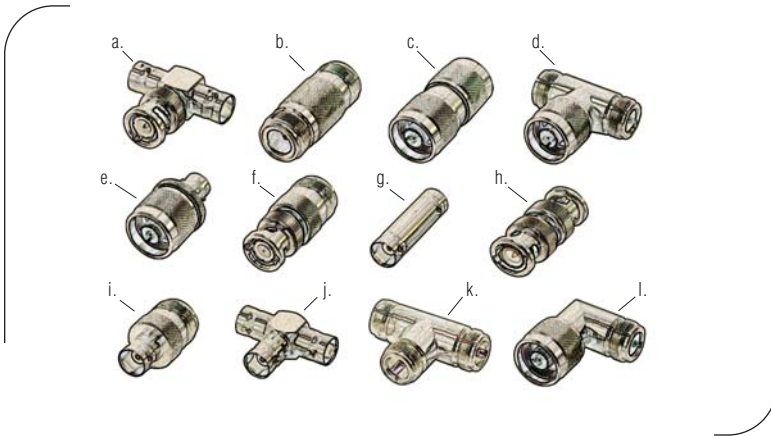
Phone: 714-221-9330

Fax: 714-921-9849

22820 Savi Ranch Pkwy

Yorba Linda, CA 92887-4610 USA

www.caltestelectronics.com

KIT CONTENTS:

Item	Description	Model	Qty.	Frequency Range	VSWR Max.
a.	BNC Tee female-male-female	CT2411	1	DC - 4 GHz	N/A
b.	N Type female-female	CT2758	1	DC - 8 GHz	1.30:1 @ 8 GHz
c.	N Type male-male	CT2759	1	DC - 8 GHz	1.30:1 @ 8 GHz
d.	N Type Tee female-male-female	CT2760	1	DC - 8 GHz	N/A
e.	BNC female to N Type male	CT2762	1	DC - 4 GHz	1.30:1 @ 4 GHz
f.	BNC male to N Type female	CT2763	1	DC - 4 GHz	1.30:1 @ 4 GHz
g.	BNC female-female	CT2765	1	DC - 4 GHz	1.30:1 @ 4 GHz
h.	BNC male-male	CT2766	1	DC - 4 GHz	1.30:1 @ 4 GHz
i.	BNC female to N Type female	CT2771	1	DC - 4 GHz	1.30:1 @ 4 GHz
j.	BNC Tee female-female-female	CT3312	1	DC - 4 GHz	N/A
k.	N Type Tee female-female-female	CT3384	1	DC - 8 GHz	N/A
l.	N Type Right-Angle male-female	CT3388	1	DC - 8 GHz	1.35:1 @ 8 GHz

Copyright © 2006, Cal Test Electronics, Inc. All rights reserved. Information in this publication supersedes that in all previously published material. Trade names referenced are the service marks, trademarks or registered trademarks of their respective companies.

Specifications and appearance subject to change without notice
P2702A0 042106

2 - www.caltestelectronics.com : RF Adapters, Cables & Kits>RF Adapters>Economy BNC & N Type Adapter Kit



X-ON Electronics

Largest Supplier of Electrical and Electronic Components

Click to view similar products for [Cal Test](#) manufacturer:

Other Similar products are found below :

[GE3421](#) [CT3733](#) [CT3288ARA](#) [CT3735](#) [CT3740](#) [CT2300](#) [GE1502](#) [CT2702A](#) [CT3048](#) [CT4098-200](#) [CT2232-0](#) [CT2489](#) [CT2942-250](#)
[CT2910-2](#) [CT2848-12](#) [CT3945](#) [CT3218](#) [CT3673](#) [GE2521](#) [GE3121](#) [CT4098-100](#) [CT2234-4](#) [CT2151-50-0](#) [CT3273](#) [CT4072](#) [CP6550-NA](#)
[CT2840RA](#) [CT3754-200](#) [CT4098-25](#) [CT3219-100](#) [CT3981-120](#) [CT2882-4-100](#) [CT2882-5-100](#) [CT2882-6-100](#) [CT2882-9-100](#) [CT2885-6-10](#)
[CT2957-5-10](#) [CT2884-9-100](#) [CT3986B-120](#) [CT2158-50-0](#) [CT4198](#) [GE3231](#) [CT3202](#) [CT3333-60](#) [GE3225](#) [CT2664](#) [CT2885-2-10](#) [CT2904-0](#)
[GE3125](#) [CT3312](#)