

THIS IS ISSUED IN STRICT CONFIDENCE THAT IT IS NOT USED AS A BASIS FOR MANUFACTURE OR SALE AND THAT IT IS NOT COPIED, REPRINTED OR DISCLOSED TO A THIRD PARTY EITHER WHOLLY OR IN PART WITHOUT THE PRIOR WRITTEN CONSENT OF CAL TEST ELECTRONICS, INC.

- 4mm SAFETY BANANA JACK w/ $\phi$ .075 ( $\phi$ 1.9) x .82 (20.8) PIN.
- SPECIFICATIONS:  
INSULATOR: POLYAMIDE (NYLON).  
CONTACT: BRASS, NICKEL PLATED  
LOCKING NUT: BRASS, NICKEL PLATED
- RATING:  
VOLTAGE: 1,000 V CAT III/600 V CAT IV P2 (IEC61010-031)  
  
CURRENT: 36 A MAX.  
RESISTANCE: <12 m.  
TEMPERATURE: -20° C TO +80° C.
- MOUNTING HOLE: REF. DIAGRAM.
- INSULATOR THREAD, M12 X 0.75. MAX. TORQUE 1.7 ft-lb (2.3 Nm) @ 20° C.
- MAXIMUM PANEL THICKNESS: .40 (10).
- RECOMMENDED ASSEMBLY TOOL: CT2246A.

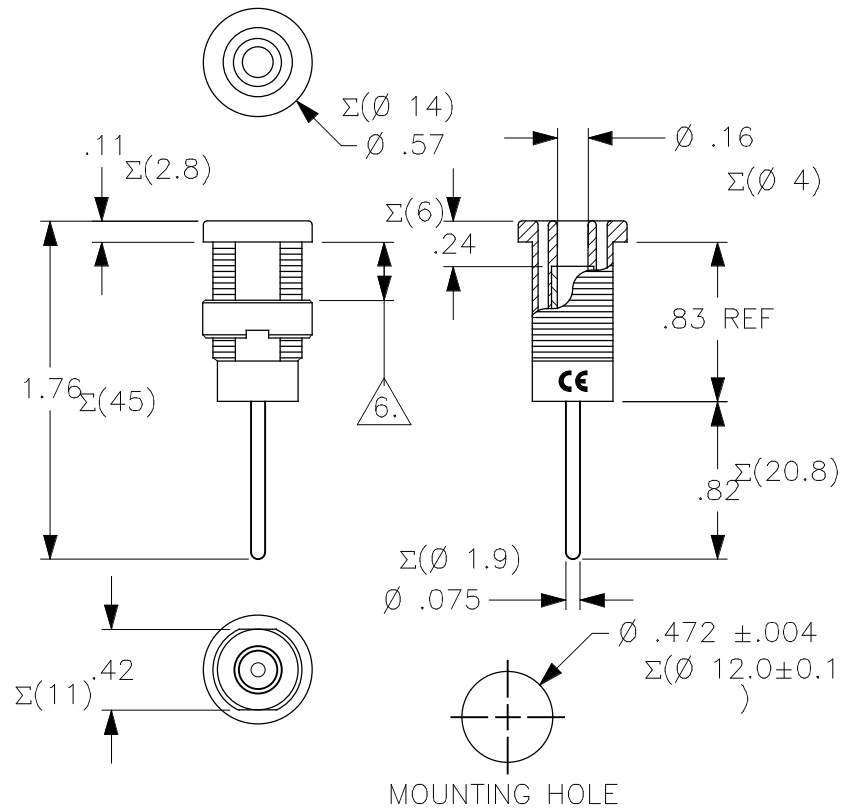
**PART NUMBER**

**CT2906-#**

- COLOR: 0 - BLACK  
1 - BROWN  
2 - RED  
3 - ORANGE (SPECIAL)  
4 - YELLOW  
5 - GREEN  
6 - BLUE  
7 - PURPLE  
8 - GRAY  
9 - WHITE

CONFORMITY TO RoHS 2002/95/EC

REVISIONS			
REV.	DESCRIPTIONS	DATE	APPROVED
-	CLASS A RELEASED	7/12/99	
A	REVISED CONFIGURATION & MATL. MOUNTING HOLE. NEW TOOLING.	4/18/04	
B	COLOR ORANGE ADDED AS SPECIAL; REVISED NOTE 5 WITH NUT TORQUE SPECIFICATION.	6/2/09	



THIRD ANGLE PROJECTION		UNLESS OTHERWISE SPECIFIED DIMENSIONS ARE IN INCHES TOLERANCES ARE: FRACTIONS DECIMALS ± 1/32 .XX ± .02 .XXX ± .005 DO NOT SCALE DRAWING	CONTRACT NO.		<b>Cal Test Electronics</b> 22820 Savi Ranch Parkway Yorba Linda, CA 92887-4610	
			APPROVALS	DATE	TITLE	
NEXT ASSY		MATERIAL	DRAWN	7/12/99	4mm SAFETY JACK, PANEL w/ $\phi$ .075x.82 PIN	
USED ON		FINISH	CHECKED		SIZE	REV. B
APPLICATION			ENGR.		CAGE CODE	
			DESIGN ACTIVITY		43F45	
					DWG. NO.	P290600
					SCALE	SHEET 1 OF 1
					1:1	

## X-ON Electronics

Largest Supplier of Electrical and Electronic Components

*Click to view similar products for [Test Plugs & Test Jacks](#) category:*

*Click to view products by [Cal Test](#) manufacturer:*

Other Similar products are found below :

[01-2601-4-0210](#) [01-2601-4-0212](#) [01-2604-4-0212](#) [01-2604-5-0210](#) [01-2150-1-0312](#) [01-2350-1-02](#) [01-2352-1-02](#) [01-2368-1-02](#) [01-2604-4-0210](#) [01-2604-5-0212](#) [01-2606-4-0210](#) [01-2606-4-0212](#) [01-2606-5-0212](#) [M39024/10-01G](#) [M39024/10-17G](#) [M39024/11-09G](#) [M39024/11-42](#) [M39024/11-43](#) [M39024/12-08](#) [707-5311](#) [707-5402-01-19](#) [707-5410](#) [923739-40-I](#) [R644543000](#) [R948161000](#) [R999351000](#) [1408-4](#) [1499-101](#) [1533-1](#) [1659559](#) [1659567](#) [1663921](#) [1663939](#) [1696-102](#) [174-R825B-EX](#) [NYS508-BU](#) [NYS508-O](#) [211-101](#) [RS100GBL](#) [RS250GBL](#) [251-102](#) [25-2251-2-03](#) [25-2259-2-03](#) [923743-16-I](#) [923743-24-I](#) [923743-28-I](#) [2854-BLU](#) [2970-BLK](#) [30-443G](#) [1680](#)