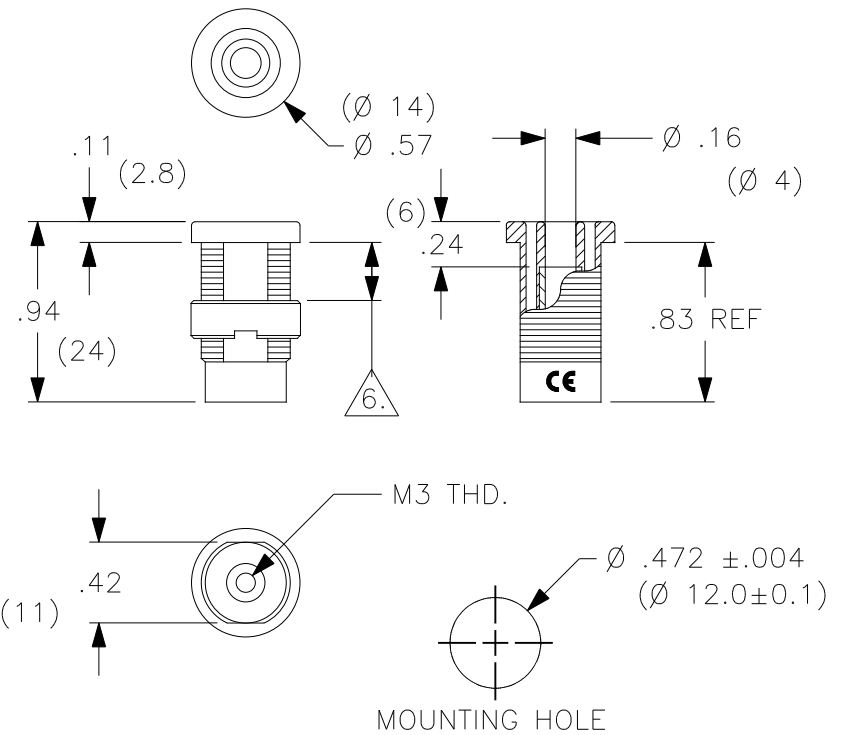


THIS IS ISSUED IN STRICT CONFIDENCE THAT IT IS NOT USED AS A BASIS FOR MANUFACTURE OR SALE AND THAT IT IS NOT COPIED, REPRINTED OR DISCLOSED TO A THIRD PARTY EITHER WHOLLY OR IN PART WITHOUT THE PRIOR WRITTEN CONSENT OF CAL TEST ELECTRONICS, INC.

1. 4mm SAFETY BANANA JACK w/M3 THREADED HOLE.
2. SPECIFICATIONS:  
INSULATOR: POLYAMIDE (NYLON).  
CONTACT: BRASS, NICKEL PLATED  
LOCKING NUT: BRASS, NICKEL PLATED
3. RATING:  
VOLTAGE: 1,000 V CAT III/600 V CAT IV P2 (IEC61010-031)  
  
CURRENT: 36 A MAX.  
RESISTANCE: <12 mΩ.  
TEMPERATURE: -20° C TO +80° C.
4. MOUNTING HOLE: REF. DIAGRAM.
5. INSULATOR THREAD, M12x0.75, MAX. TORQUE 1.7 ft-lb (2.3 Nm) AT 20° C.
6. MAXIMUM PANEL THICKNESS: .40 (10).
7. RECOMMENDED ASSEMBLY TOOL: CT2246A.

REVISIONS			
REV.	DESCRIPTIONS	DATE	APPROVED
-	CLASS A RELEASED	7/12/99	
A	ADDED CAGE CODE	6/10/05	
B	COLOR ORANGE ADDED AS SPECIAL; REVISED NOTE 5 WITH NUT TORQUE SPECIFICATION.	6/2/09	



**PART NUMBER**

**CT2908-#**

- COLOR:
- 0 - BLACK
  - 1 - BROWN
  - 2 - RED
  - 3 - ORANGE (SPECIAL)
  - 4 - YELLOW
  - 5 - GREEN
  - 6 - BLUE
  - 7 - PURPLE
  - 8 - GRAY
  - 9 - WHITE

CONFORMITY TO RoHS 2002/95/EC

THIRD ANGLE PROJECTION		UNLESS OTHERWISE SPECIFIED DIMENSIONS ARE IN INCHES TOLERANCES ARE: FRACTIONS    DECIMALS ± 1/32        .XX ± .02 .XXX ± .005 DO NOT SCALE DRAWING	CONTRACT NO.		<b>Cal Test Electronics</b> 22820 Savi Ranch Parkway Yorba Linda, CA 92887-4610			
			APPROVALS	DATE	TITLE			
MATERIAL		DRAWN	WDH	7/12/99	4mm SAFETY JACK, PANEL w/M3 THREADED HOLE			
FINISH		CHECKED			SIZE	CAGE CODE	DWG. NO.	REV.
NEXT ASSY	USED ON	ENGR.			A	43F45	P290800	B
APPLICATION		DESIGN ACTIVITY			SCALE	1:1	SHEET	1 OF 1

## X-ON Electronics

Largest Supplier of Electrical and Electronic Components

*Click to view similar products for [Test Plugs & Test Jacks](#) category:*

*Click to view products by [Cal Test](#) manufacturer:*

Other Similar products are found below :

[01-2601-4-0210](#) [01-2601-4-0212](#) [01-2604-4-0212](#) [01-2350-1-02](#) [01-2368-1-02](#) [01-2606-4-0210](#) [01-2606-5-0212](#) [M39024/11-09G](#)  
[M39024/11-42](#) [M39024/11-43](#) [M39024/12-08](#) [707-5311](#) [707-5402-01-19](#) [707-5410](#) [R948161000](#) [1408-4](#) [1533-1](#) [1659559](#) [1659567](#)  
[1663921](#) [1663939](#) [1696-102](#) [174-R825B-EX](#) [1905509](#) [1905527](#) [1914916](#) [211-101](#) [RS100GBL](#) [RS250GBL](#) [251-102](#) [25-2251-2-03](#) [25-](#)  
[2259-2-03](#) [923743-28-I](#) [2854-BLU](#) [2970-BLK](#) [30-443G](#) [1909861](#) [1916120](#) [1916466](#) [1918007](#) [1919515](#) [1920271](#) [1929125](#) [1933440](#)  
[1938303](#) [1944375](#) [204-103](#) [2079](#) [2435108](#) [2803-102](#)