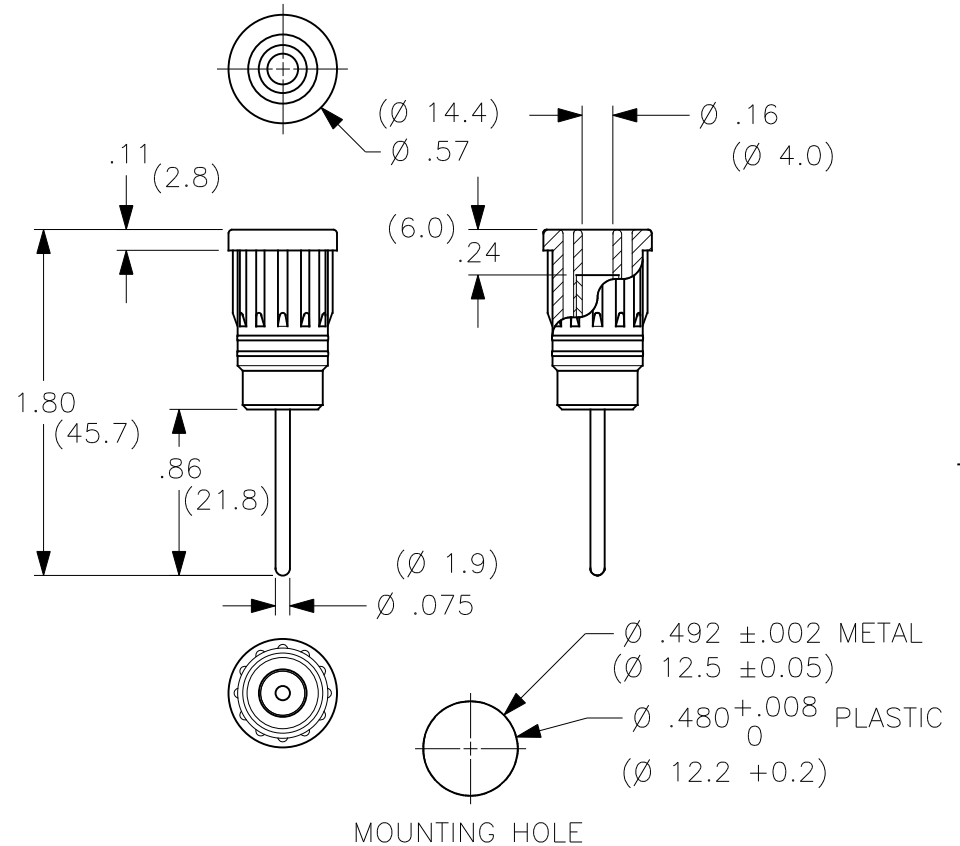


THIS IS ISSUED IN STRICT CONFIDENCE THAT IT IS NOT USED AS A BASIS FOR MANUFACTURE OR SALE AND THAT IT IS NOT COPIED, REPRINTED OR DISCLOSED TO A THIRD PARTY EITHER WHOLLY OR IN PART WITHOUT THE PRIOR WRITTEN CONSENT OF CAL TEST ELECTRONICS, INC.

- PUSH-IN SAFETY SOCKET w/1.9mm X 21mm SHORT PIN.
- SPECIFICATIONS:  
INSULATOR: POLYAMIDE (NYLON)  
CONTACT: BRASS, NICKEL PLATED
- RATING:  
VOLTAGE: 1,000 V CAT III/600 V CAT IV P2 (IEC 61010-031)  
CURRENT: 36A MAX.  
RESISTANCE: <5mΩ.  
TEMPERATURE: -20° C TO +80° C.
- MOUNTING HOLE: REF. DIAGRAM.
- SUGGESTED PANEL THICKNESS FOR PRESS-FIT SUPPORT:  
PLASTIC: >0.080" (2)  
METAL: >0.062" (1.5)

REVISIONS			
REV.	DESCRIPTIONS	DATE	APPROVED
—	CLASS A RELEASED	7/12/99	
A	BODY CONFIGURATION CHANGE; DIM. 1.80 WAS 1.77; ADDED NOTE 5.	3/1/05	



**PART NUMBER**

**CT2913-#**

- COLOR:
- 0 - BLACK
  - 1 - BROWN
  - 2 - RED
  - 3 - ORANGE (CUSTOM)
  - 4 - YELLOW
  - 5 - GREEN
  - 6 - BLUE
  - 7 - PURPLE
  - 8 - GRAY
  - 9 - WHITE

THIRD ANGLE PROJECTION		UNLESS OTHERWISE SPECIFIED DIMENSIONS ARE IN INCHES TOLERANCES ARE: FRACTIONS DECIMALS ± 1/32 .XX ± .02 .XXX ± .005 DO NOT SCALE DRAWING	CONTRACT NO.		<b>Cal Test Electronics</b> 22820 Savi Ranch Parkway Yorba Linda, CA 92887-4610				
			APPROVALS	DATE	TITLE				
DRAWN		WDH		7/12/99		4mm PUSH-IN SAFETY SOCKET, w/1.9mm LONG PIN			
CHECKED						SIZE	CAGE CODE	DWG. NO.	REV.
ENGR.						A	43F45	P291300	A
DESIGN ACTIVITY						SCALE	1:1		SHEET
APPLICATION								1 OF 1	

## X-ON Electronics

Largest Supplier of Electrical and Electronic Components

*Click to view similar products for [Test Plugs & Test Jacks](#) category:*

*Click to view products by [Cal Test](#) manufacturer:*

Other Similar products are found below :

[01-2601-4-0210](#) [01-2601-4-0212](#) [01-2604-4-0212](#) [01-2604-5-0210](#) [01-2150-1-0312](#) [01-2350-1-02](#) [01-2352-1-02](#) [01-2368-1-02](#) [01-2604-4-0210](#) [01-2604-5-0212](#) [01-2606-4-0210](#) [01-2606-4-0212](#) [01-2606-5-0212](#) [M39024/10-01G](#) [M39024/10-17G](#) [M39024/11-09G](#) [M39024/11-42](#) [M39024/11-43](#) [M39024/12-08](#) [707-5311](#) [707-5402-01-19](#) [707-5410](#) [923739-40-I](#) [R644543000](#) [R948161000](#) [R999351000](#) [1408-4](#) [1499-101](#) [1533-1](#) [1659559](#) [1659567](#) [1663921](#) [1663939](#) [1696-102](#) [174-R825B-EX](#) [NYS508-BU](#) [NYS508-O](#) [211-101](#) [RS100GBL](#) [RS250GBL](#) [251-102](#) [25-2251-2-03](#) [25-2259-2-03](#) [923743-16-I](#) [923743-24-I](#) [923743-28-I](#) [2854-BLU](#) [2970-BLK](#) [30-443G](#) [1680](#)