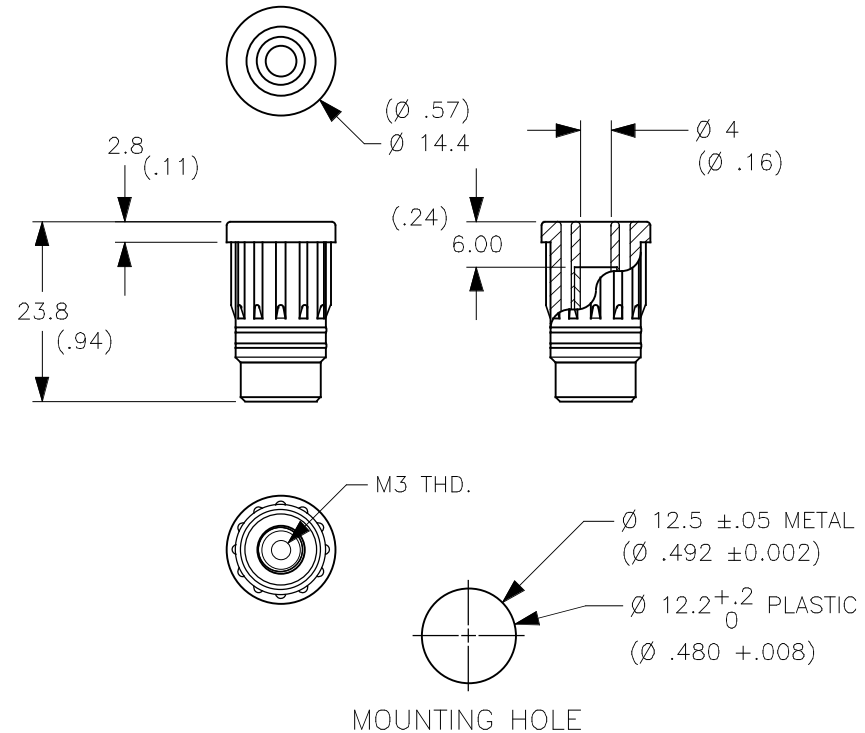


THIS IS ISSUED IN STRICT CONFIDENCE THAT IT IS NOT USED AS A BASIS FOR MANUFACTURE OR SALE AND THAT IT IS NOT COPIED, REPRINTED OR DISCLOSED TO A THIRD PARTY EITHER WHOLLY OR IN PART WITHOUT THE PRIOR WRITTEN CONSENT OF CAL TEST ELECTRONICS, INC.

- PUSH-IN 4 mm SAFETY BANANA JACK w/M3 THREADED HOLE.
- SPECIFICATIONS:
INSULATOR: POLYAMIDE (NYLON)
CONTACT: BRASS, NICKEL PLATED
- RATING:
VOLTAGE: 1,000 V CAT III/600 V CAT IV P2 (IEC 61010-031)
CURRENT: 36 A MAX.
RESISTANCE: <5 mohm.
TEMPERATURE: -20°C TO +80°C.
- MOUNTING HOLE: REF. DIAGRAM.
- SUGGESTED PANEL THICKNESS FOR PRESS-FIT SUPPORT:
PLASTIC: >2 mm (0.080")
METAL: >1.5 mm (0.062")

REVISIONS			
REV.	DESCRIPTIONS	DATE	APPROVED
—	CLASS A RELEASED	7/12/99	
A	BODY CONFIGURATION CHANGE; DIM. 1.40 WAS 1.39; ADDED NOTE 5.	3/1/05	
B	UPDATED TO METRIC; MOUNTING HOLE DIMENSION 12.5 ±.05 WAS 12.5 ±.1.	8/27/18	



PART NUMBER

CT2914-#

- COLOR:
- 0 - BLACK
 - 1 - BROWN
 - 2 - RED
 - 3 - ORANGE (SPECIAL)
 - 4 - YELLOW
 - 5 - GREEN
 - 6 - BLUE
 - 7 - VIOLET
 - 8 - GRAY
 - 9 - WHITE

METRIC

UNLESS OTHERWISE SPECIFIED
DIMENSIONS ARE IN MILLIMETERS
TOLERANCES ARE:
DECIMALS ANGLE
.X ± 0.8 ± 2°
.XX ± 0.25
DO NOT SCALE DRAWING

CONTRACT NO.

Cal Test Electronics

22820 Savi Ranch Parkway
Yorba Linda, CA 92887-4610

APPROVALS	DATE
DRAWN WDH	7/12/99

TITLE
**4 mm PUSH-IN SAFETY JACK,
w/M3 THREADED HOLE**

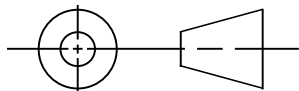
THIRD ANGLE PROJECTION

MATERIAL

CHECKED

SIZE	CAGE CODE	DWG. NO.	REV.
A	43F45	P291400	B

SCALE 1:1 SHEET 1 OF 1



X-ON Electronics

Largest Supplier of Electrical and Electronic Components

Click to view similar products for [Test Plugs & Test Jacks](#) category:

Click to view products by [Cal Test](#) manufacturer:

Other Similar products are found below :

[01-2601-4-0210](#) [01-2601-4-0212](#) [01-2604-4-0212](#) [01-2604-5-0210](#) [01-2150-1-0312](#) [01-2350-1-02](#) [01-2352-1-02](#) [01-2368-1-02](#) [01-2604-4-0210](#) [01-2604-5-0212](#) [01-2606-4-0210](#) [01-2606-4-0212](#) [01-2606-5-0212](#) [M39024/10-01G](#) [M39024/10-17G](#) [M39024/11-09G](#) [M39024/11-42](#) [M39024/11-43](#) [M39024/12-08](#) [707-5311](#) [707-5402-01-19](#) [707-5410](#) [923739-40-I](#) [R644543000](#) [R948161000](#) [R999351000](#) [1408-4](#) [1499-101](#) [1533-1](#) [1659559](#) [1659567](#) [1663921](#) [1663939](#) [1696-102](#) [174-R825B-EX](#) [NYS508-BU](#) [NYS508-O](#) [211-101](#) [RS100GBL](#) [RS250GBL](#) [251-102](#) [25-2251-2-03](#) [25-2259-2-03](#) [923743-16-I](#) [923743-24-I](#) [923743-28-I](#) [2854-BLU](#) [2970-BLK](#) [30-443G](#) [1680](#)