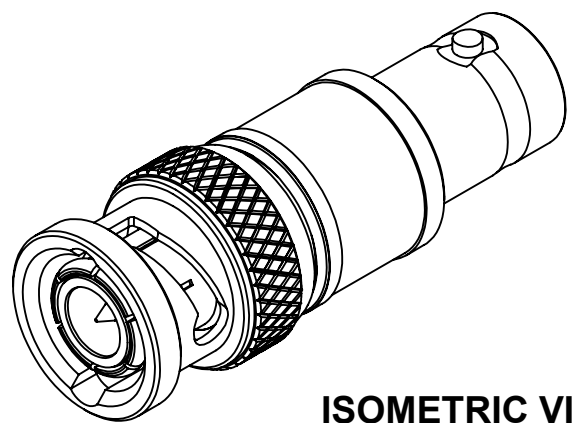
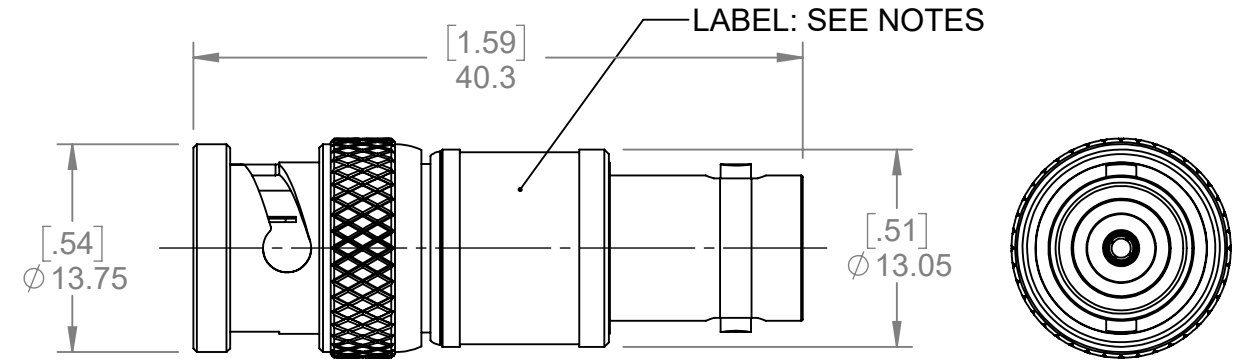
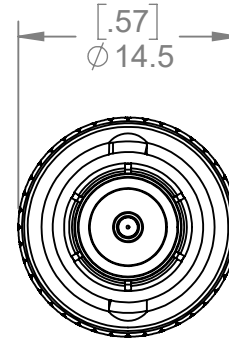


THIS IS ISSUED IN STRICT CONFIDENCE THAT IT IS NOT USED AS A BASIS FOR MANUFACTURE OR SALE AND THAT IT IS NOT COPIED, REPRINTED OR DISCLOSED TO A THIRD PARTY EITHER WHOLLY OR IN PART WITHOUT THE PRIOR WRITTEN CONSENT OF CAL TEST ELECTRONICS, INC.

REVISIONS			
REV.	DESCRIPTION	DATE	APPROVED
A	CLASS A RELEASED	1/14/2019	

- NOTES:**
- MATERIAL:**
    - BODY, COUPLING NUT & MALE CONTACT: BRASS
    - FEMALE CONTACT: BECU
    - DIELECTRIC: PTFE
    - GASKET: SILICONE RUBBER
  - PLATING:**
    - COUPLING NUT & SHELL: NICKEL PLATED
    - FEMALE BODY & CENTER CONTACTS: GOLD PLATED
  - MARKING LABEL:**
    - "50 Ω FEED-THRU TERMINATOR 1 GHZ / 2 W CT2944C-50 MADE IN TAIWAN"
    - WHITE LETTERS ON BLACK BACKGROUND
  - SPECIFICATIONS:**
    - IMPEDANCE: 50 Ω ±0.35 Ω
    - FREQUENCY RANGE: 1 GHZ
    - VSWR MAX.: ≤1.10:1 DC TO 500 MHZ / ≤1.20:1 500 MHZ TO 1 GHZ
    - POWER: 2 W (AVG) @ 25°C DERATED LINERALLY TO 0.5 W @ 125°C
    - INPUT VOLTAGE: <10 V DC . 20 V P-P AC
    - ACCURACY: 0.7%
    - OPERATING TEMPERATURE: 0°C TO +125°
  - ROHS 2: COMPLIANT



**ISOMETRIC VIEW**

<b>CT2944C-50</b>	<b>50 OHM, FEED-THRU TERMINATOR</b>	-
PART NUMBER	CONFIGURATION	NOTES / REFERENCE
PART NUMBER TABLE		

<b>METRIC</b>	UNLESS OTHERWISE SPECIFIED DIMENSIONS ARE IN MILLIMETERS TOLERANCES ARE: PER DIN ISO 2768m		PROJECT NO. <b>A535</b>		<b>Cal Test Electronics</b> 22820 Savi Ranch Parkway Yorba Linda, CA 92887	
	DO NOT SCALE DRAWING		APPROVALS	DATE		
THIRD ANGLE PROJECTION	MATERIAL SEE NOTES	DRAWN <b>WDH</b>	CHECKER <b>B.Hansen</b>	1/14/2019	<b>TERMINATOR, BNC FEED-THRU,          1 GHZ, 2 W</b>	
	TREATMENT N/A	ENGR. <b>NONE</b>	DESIGN ACTIVITY <b>NONE</b>			
	FINISH SEE NOTES				DWG. NO. <b>P2944C0</b>	REV. <b>A</b>
			SCALE <b>2:1</b>	P2944C0rA_drawing		SHEET <b>1 OF 1</b>

## X-ON Electronics

Largest Supplier of Electrical and Electronic Components

*Click to view similar products for [RF Terminators](#) category:*

*Click to view products by [Cal Test](#) manufacturer:*

Other Similar products are found below :

[M390303-02N](#) [M39030/3-04S](#) [M39030/3-09S](#) [M39030/3-11N](#) [TNG1-9-78-D3](#) [TNA2-50](#) [TNG1-6-78](#) [TNH1-1-50](#) [TNGFL1-1-78](#)  
[R4042N5000](#) [53S1RR-001N3](#) [142275](#) [56S1RR-001N4](#) [65\\_BNC-50-0-7/133\\_NE](#) [71S1RR-001N4](#) [02S17R-001D3](#) [R404240120](#) [R404260000](#)  
[HT-10-2](#) [FL LCX 50-OHM-RSMA](#) [M39030/3-04N](#) [TNA1-6-50](#) [131-3801-811](#) [TNA1-1-50](#) [65\\_N-50-0-51/113\\_NE](#) [65\\_BNC-50-0-2/133\\_NE](#)  
[65\\_N-50-0-1/133\\_NE](#) [65002\\_N-50-1/122\\_NE](#) [65\\_MMCX-50-0-31/111\\_OE](#) [18K15R-0.5E3](#) [2702702](#) [TRM-2161-M0-35M-02](#) [53S17R-](#)  
[001N3](#) [1100.19.0001](#) [6701.01.B](#) [18S24H-40ML5](#) [TRM-2053-M0-NNN-02](#) [R404759000](#) [M39030/6-02N](#) [TRM-2053-MC-NNN-02](#)  
[M39030/3-03S](#) [SF8012-6009](#) [6701.01.A](#) [65\\_MCX-50-0-4/111\\_NE](#) [65\\_716-50-0-2/003\\_-E](#) [65\\_SMB-50-0-1/111\\_NE](#) [M39030/3-12N](#) [82-](#)  
[5722-RFX](#) [8018-6174](#) [SF8018-6005](#)