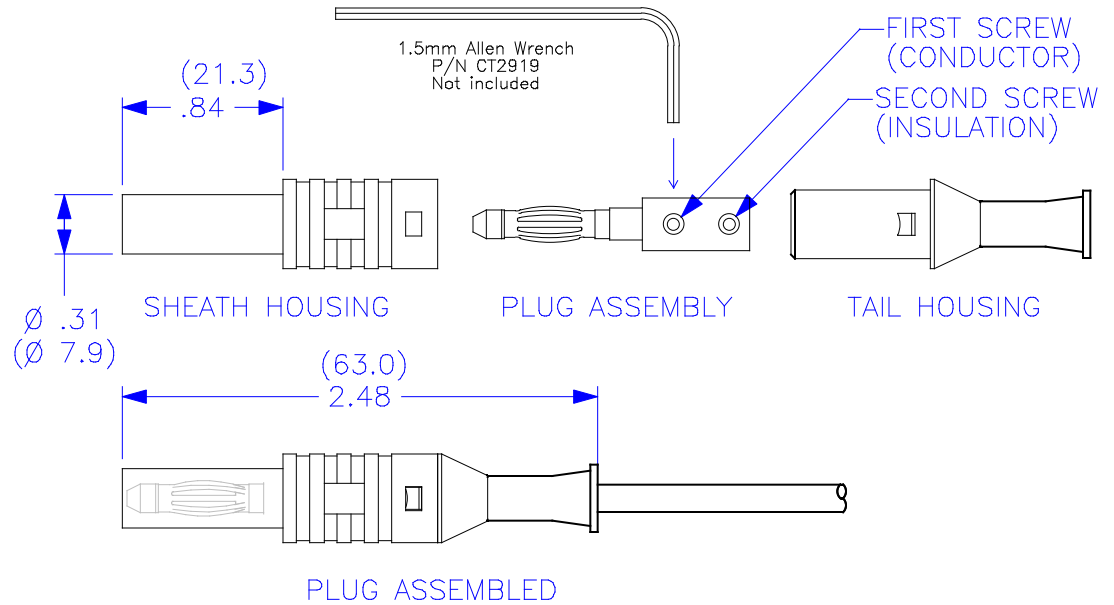


THIS IS ISSUED IN STRICT CONFIDENCE THAT IT IS NOT USED AS A BASIS FOR MANUFACTURE OR SALE AND THAT IT IS NOT COPIED, REPRINTED OR DISCLOSED TO A THIRD PARTY EITHER WHOLLY OR IN PART WITHOUT THE PRIOR WRITTEN CONSENT OF CAL TEST ELECTRONICS, INC.

| REVISIONS | | | |
|-----------|-------------------------------|---------|----------|
| REV. | DESCRIPTIONS | DATE | APPROVED |
| - | CLASS A RELEASED | 2/11/00 | |
| A | CONFIGURATION CHANGE; ADDRESS | 7/9/03 | |

- DO-IT-YOURSELF (DIY) Ø4mm SHEATH BANANA PLUG, SCREW ATTACHMENT
- SPECIFICATIONS:
INSULATOR BODY: POLYPROPYLENE
PLUG BODY: BRASS, NICKEL PLATED
CONTACT SPRING: BECU, NICKEL PLATED
- RATING:
VOLTAGE: 1000V CATIII P2 (per INSTRUCTIONS)
REINFORCED INSULATION, CE MARK
CURRENT: 36A MAX.
INTERNAL RESISTANCE: <10mΩ
TEMPERATURE: -20° TO +80° C.
- MAXIMUM WIRE SIZES:
CONDUCTOR: Ø.090 (12AWG)
INSULATION: Ø.16 (Ø4.0)
STRIP LENGTH: .25 (6.4)



PART NUMBER

CT2989-#

- COLOR:
- 0 - BLACK
 - 2 - RED
 - 4 - YELLOW
 - 5 - GREEN
 - 6 - BLUE
 - 9 - WHITE

Assembly Instructions:

- Slide wire through Tail Housing.
- Strip wire .25" (6.4mm).
- Insert stripped wire into Plug Assembly and tighten First Set-Screw (conductor). Set-Screws use 1.5mm Allen Wrench (Cal Test P/N CT2919).
- Snug Second Set-Screw on wire insulation.
- Push Plug Assembly into Tail Housing.
- Snap Tail Housing assembly into Sheath Housing.

| | | | | | | | | | | | |
|------------------------|---------|--|-----------------|------|----------------------|-----------------------------------|--|----------|---------|-------|--------|
| THIRD ANGLE PROJECTION | | UNLESS OTHERWISE SPECIFIED DIMENSIONS ARE IN INCHES TOLERANCES ARE: FRACTIONS DECIMALS ± 1/32 .XX ± .02 .XXX ± .005 DO NOT SCALE DRAWING | CONTRACT NO. | | Cal Test Electronics | | 22820 Savi Ranch Parkway Yorba Linda, CA 92887-4610 | | | | |
| | | | APPROVALS | DATE | TITLE | | | | | | |
| | | MATERIAL | DRAWN | WDH | 2/10/00 | DIY SHEATH PLUG, SCREW ATTACHMENT | | | | | |
| | | FINISH | CHECKED | | | SIZE | CAGE CODE | DWG. NO. | P298900 | REV. | A |
| NEXT ASSY | USED ON | | ENGR. | | | A | | | | | |
| APPLICATION | | | DESIGN ACTIVITY | | | SCALE | 1:1 | | | SHEET | 1 OF 1 |

X-ON Electronics

Largest Supplier of Electrical and Electronic Components

Click to view similar products for [Test Plugs & Test Jacks](#) category:

Click to view products by [Cal Test](#) manufacturer:

Other Similar products are found below :

[01-2601-4-0210](#) [01-2601-4-0212](#) [01-2604-4-0212](#) [01-2150-1-0312](#) [01-2350-1-02](#) [01-2368-1-02](#) [01-2604-5-0212](#) [01-2606-4-0210](#) [01-2606-4-0212](#) [01-2606-5-0212](#) [M39024/11-09G](#) [M39024/11-42](#) [M39024/11-43](#) [M39024/12-08](#) [707-5311](#) [707-5402-01-19](#) [707-5410](#) [R644543000](#) [R948161000](#) [R999351000](#) [1408-4](#) [1533-1](#) [1659559](#) [1659567](#) [1663921](#) [1663939](#) [1696-102](#) [174-R825B-EX](#) [NYS508-BU](#) [NYS508-O](#) [211-101](#) [RS100GBL](#) [RS250GBL](#) [251-102](#) [25-2251-2-03](#) [25-2259-2-03](#) [923743-28-I](#) [2854-BLU](#) [2970-BLK](#) [30-443G](#) [1909861](#) [1916120](#) [1918007](#) [1919515](#) [1929125](#) [1944375](#) [2032761](#) [204-103](#) [2079](#) [2435108](#)