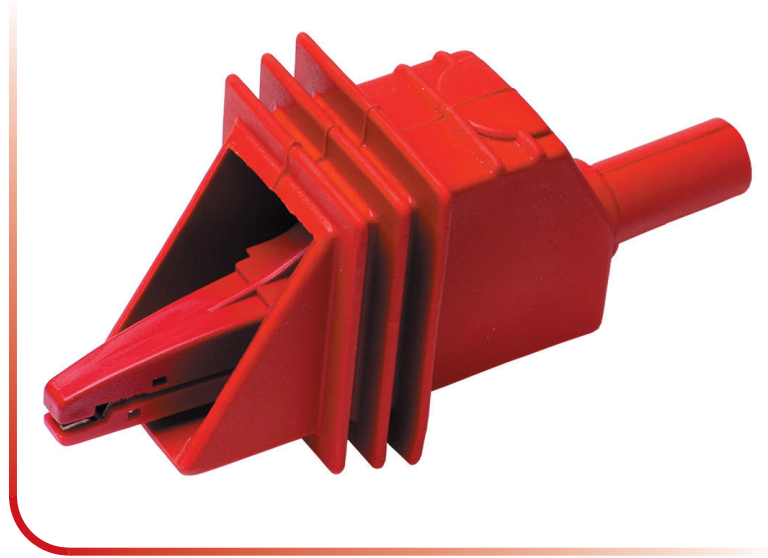


5kV, Fully Insulated Large Alligator Clip with 4mm Sheathed Banana Jack

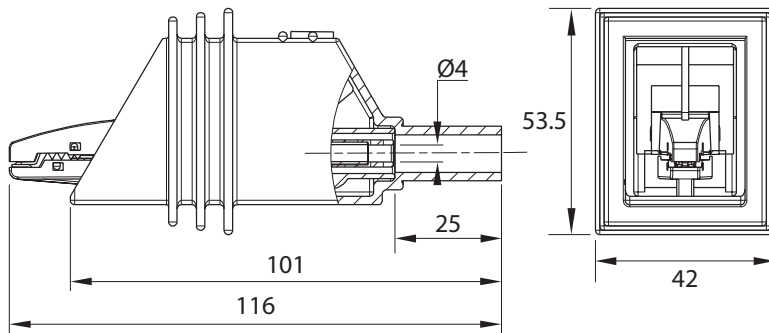
CT3021-#



Features:

- 1,000 V CAT IV, 5 kV non-category with 2 kV transient overvoltage
- 20 A Max
- CE listed
- RoHS 2 compliant

Measurement Drawing: *(dimensions in mm, not to scale)*



Description:

The CT3021 operates up to 5 kV when used in non-category environments with transient overvoltages up to 2 kV.^a This alligator clip is also rated to 1,000 V CAT IV.^b

For use only with Cal Test's Long-Reach High Voltage Test Leads, CT3018 or CT3020. The CT3021 is a specially designed, fully insulated large alligator clip that opens to 24 mm and can accommodate terminals up to 16 mm in diameter.

The CT3021 is available in 2 colors.

a. Never hold or touch equipment while connected to live voltages.

b. Must be used in conjunction with other similarly rated products.

Order Information:

CT3021-#

5kV, Fully Insulated Large Alligator Clip with 4mm Sheathed Banana Jack

- Color - replace '#' with dash number:
-0 Black, -2 Red

Contact Info:

Toll Free: 800-572-1028 (US Only)

Phone: 714-221-9330

Fax: 714-921-9849

22820 Savi Ranch Parkway

Yorba Linda, CA 92887-4610 USA

www.caltestelectronics.com

CE

Copyright © 2020, Cal Test Electronics, Inc. All rights reserved. Information in this publication supersedes that in all previously published material. Trade names referenced are the service marks, trademarks or registered trademarks of their respective companies.

X-ON Electronics

Largest Supplier of Electrical and Electronic Components

Click to view similar products for [Test Leads](#) category:

Click to view products by [Cal Test](#) manufacturer:

Other Similar products are found below :

[795-2384-10-25](#) [1301430020](#) [1510-24-105](#) [15308](#) [15408](#) [15302](#) [15409](#) [BU-1149-A-36-0](#) [BU-1481-E-12-0](#) [BU-1481-E-24-0](#) [1927617](#) [2450](#)
[2524-A-60](#) [LB1F-2R-RED](#) [LB1F-2R-YLW](#) [2500](#) [2524-A-48](#) [2977-J-48](#) [R948131000](#) [380200](#) [BU-1449-E-12-2](#) [BU-1480-E-24-0](#) [BU-1481-](#)
[E-12-2](#) [BU-1481-E-24-2](#) [LB1F-2R-BLK](#) [LB1F-2R-BLUE](#) [LB1F-2R-WHT](#) [6345](#) [6432](#) [6416](#) [EM3782-24-3#](#) [R948161002](#) [R948160002](#)
[R948170002](#) [R948171002](#) [R948163002](#) [973604100](#) [934160101](#) [934160100](#) [R948174000](#) [CT3269](#) [CT3258](#) [CT3158-100](#) [HSPL](#)
[8568/AWG16/200/RT](#) [HSPL 8568/AWG16/200/SW](#) [28.0119-10020](#) [28.0127-05025](#) [28.0127-20025](#) [49.0079-20021](#) [49.0079-20024](#)