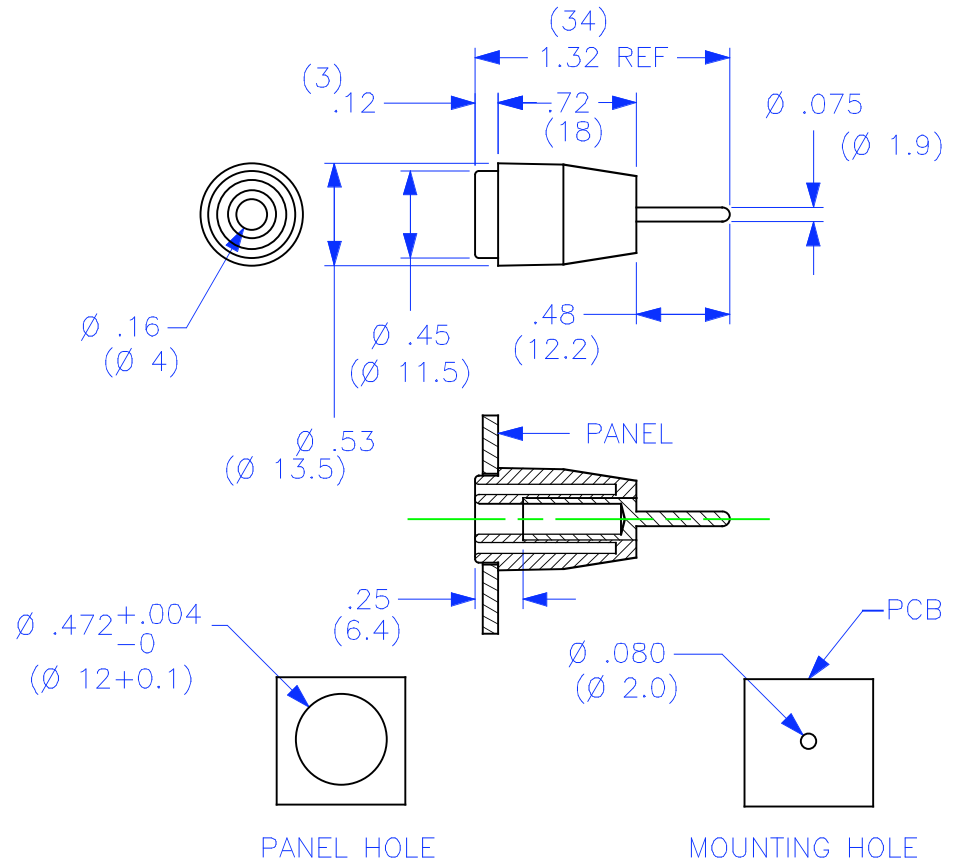


THIS IS ISSUED IN STRICT CONFIDENCE THAT IT IS NOT USED AS A BASIS FOR MANUFACTURE OR SALE AND THAT IT IS NOT COPIED, REPRINTED OR DISCLOSED TO A THIRD PARTY EITHER WHOLLY OR IN PART WITHOUT THE PRIOR WRITTEN CONSENT OF CAL TEST ELECTRONICS, INC.

REVISIONS			
REV.	DESCRIPTIONS	DATE	APPROVED
—	CLASS A RELEASED	10/13/03	

- SAFETY JACK, REAR MOUNT, VERTICAL PCB, SHORT PIN.
- SPECIFICATIONS:  
INSULATOR: POLYACETAL  
CONTACT: BRASS, NICKEL PLATED
- RATING:  
VOLTAGE: 1,000 V CATIII P2 (IEC 61010-031)  
CURRENT: 25A MAX.  
RESISTANCE: <5mΩ.  
TEMPERATURE: -20° C TO +80° C.
- MOUNTING: REF. DIAGRAM
- MAXIMUM PANEL THICKNESS: .12 (3).



**PART NUMBER**

**CT3149-#**

- COLOR:
- 0 - BLACK
  - 1 - BROWN
  - 2 - RED
  - 4 - YELLOW
  - 5 - GREEN
  - 6 - BLUE
  - 7 - PURPLE
  - 8 - GRAY
  - 9 - WHITE

THIRD ANGLE PROJECTION		UNLESS OTHERWISE SPECIFIED DIMENSIONS ARE IN INCHES TOLERANCES ARE: FRACTIONS DECIMALS $\pm 1/32$ .XX $\pm .02$ .XXX $\pm .005$ DO NOT SCALE DRAWING	CONTRACT NO.		<b>Cal Test Electronics</b> 22820 Savi Ranch Parkway Yorba Linda, CA 92887-4610	
			APPROVALS	DATE	TITLE	
NEXT ASSY		MATERIAL	DRAWN <b>WDH</b>	10/13/03	<b>4mm SAFETY JACK, VERTICAL PCB MOUNT, SHORT PIN</b>	
USED ON		FINISH	CHECKED	ENGR.	SIZE <b>A</b>	CAGE CODE <b>43F45</b>
APPLICATION			DESIGN ACTIVITY		DWG. NO. <b>P314900</b>	REV. <b>—</b>
				SCALE <b>1:1</b>	SHEET <b>1 OF 1</b>	

## X-ON Electronics

Largest Supplier of Electrical and Electronic Components

*Click to view similar products for [Test Plugs & Test Jacks](#) category:*

*Click to view products by [Cal Test](#) manufacturer:*

Other Similar products are found below :

[01-2601-4-0210](#) [01-2601-4-0212](#) [01-2604-4-0212](#) [01-2604-5-0210](#) [01-2150-1-0312](#) [01-2350-1-02](#) [01-2352-1-02](#) [01-2368-1-02](#) [01-2604-4-0210](#) [01-2604-5-0212](#) [01-2606-4-0210](#) [01-2606-4-0212](#) [01-2606-5-0212](#) [M39024/10-01G](#) [M39024/10-17G](#) [M39024/11-09G](#) [M39024/11-42](#) [M39024/11-43](#) [M39024/12-08](#) [707-5311](#) [707-5402-01-19](#) [707-5410](#) [923739-40-I](#) [R644543000](#) [R948161000](#) [R999351000](#) [1408-4](#) [1499-101](#) [1533-1](#) [1659559](#) [1659567](#) [1663921](#) [1663939](#) [1696-102](#) [174-R825B-EX](#) [NYS508-BU](#) [NYS508-O](#) [211-101](#) [RS100GBL](#) [RS250GBL](#) [251-102](#) [25-2251-2-03](#) [25-2259-2-03](#) [923743-16-I](#) [923743-24-I](#) [923743-28-I](#) [2854-BLU](#) [2970-BLK](#) [30-443G](#) [1680](#)