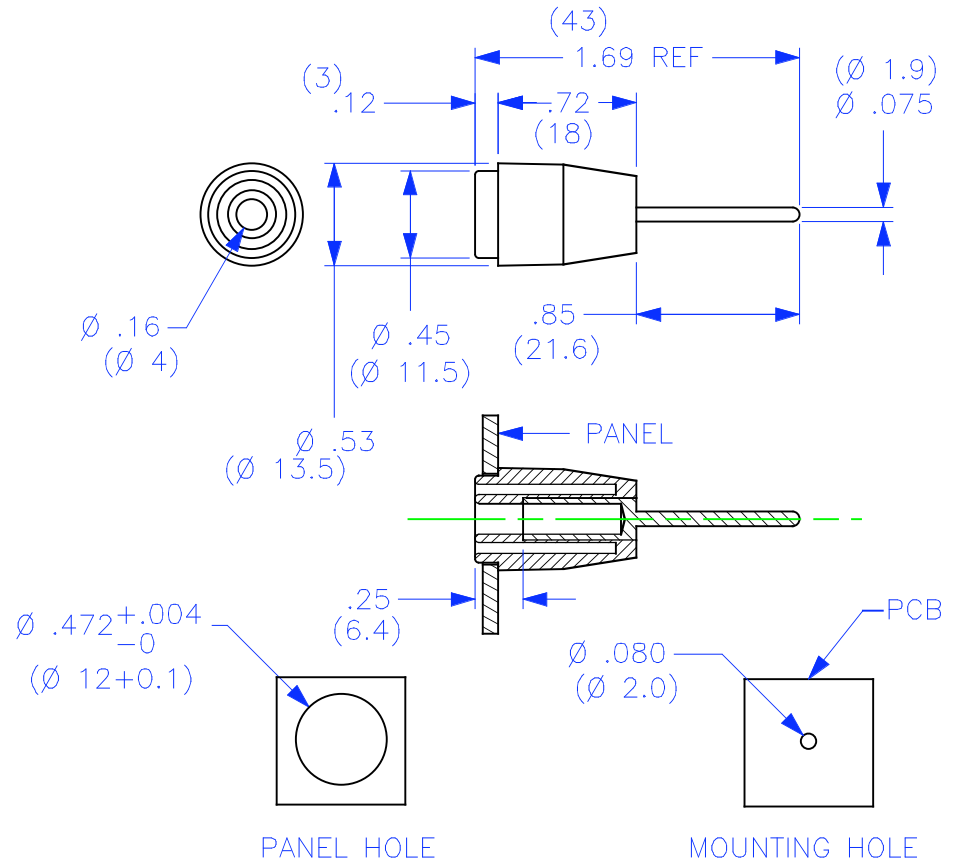


THIS IS ISSUED IN STRICT CONFIDENCE THAT IT IS NOT USED AS A BASIS FOR MANUFACTURE OR SALE AND THAT IT IS NOT COPIED, REPRINTED OR DISCLOSED TO A THIRD PARTY EITHER WHOLLY OR IN PART WITHOUT THE PRIOR WRITTEN CONSENT OF CAL TEST ELECTRONICS, INC.

REVISIONS			
REV.	DESCRIPTIONS	DATE	APPROVED
—	CLASS A RELEASED	10/13/03	

- SAFETY JACK, REAR MOUNT, VERTICAL PCB, LONG PIN.
- SPECIFICATIONS:
INSULATOR: POLYACETAL
CONTACT: BRASS, NICKEL PLATED
- RATING:
VOLTAGE: 1,000 V CATIII P2 (IEC 61010-031)
CURRENT: 25A MAX.
RESISTANCE: <math>< 5\text{m}\Omega</math>.
TEMPERATURE: -20°C TO $+80^{\circ}\text{C}$.
- MOUNTING: REF. DIAGRAM
- MAXIMUM PANEL THICKNESS: .12 (3).



PART NUMBER

CT3150-#

- COLOR:
- 0 - BLACK
 - 1 - BROWN
 - 2 - RED
 - 4 - YELLOW
 - 5 - GREEN
 - 6 - BLUE
 - 7 - PURPLE
 - 8 - GRAY
 - 9 - WHITE

THIRD ANGLE PROJECTION		UNLESS OTHERWISE SPECIFIED DIMENSIONS ARE IN INCHES TOLERANCES ARE: FRACTIONS DECIMALS $\pm 1/32$.XX $\pm .02$.XXX $\pm .005$ DO NOT SCALE DRAWING	CONTRACT NO.		Cal Test Electronics 22820 Savi Ranch Parkway Yorba Linda, CA 92887-4610			
			APPROVALS	DATE	TITLE			
		MATERIAL	DRAWN	10/13/03	4mm SAFETY JACK, VERTICAL PCB MOUNT, LONG PIN			
		FINISH	CHECKED		SIZE	CAGE CODE	DWG. NO.	REV.
NEXT ASSY	USED ON		ENGR.		A	43F45	P315000	—
APPLICATION			DESIGN ACTIVITY		SCALE		SHEET	
					1:1		1 OF 1	

X-ON Electronics

Largest Supplier of Electrical and Electronic Components

Click to view similar products for [Test Plugs & Test Jacks](#) category:

Click to view products by [Cal Test](#) manufacturer:

Other Similar products are found below :

[01-2601-4-0210](#) [01-2601-4-0212](#) [01-2604-4-0212](#) [01-2150-1-0312](#) [01-2350-1-02](#) [01-2368-1-02](#) [01-2604-5-0212](#) [01-2606-4-0210](#) [01-2606-4-0212](#) [01-2606-5-0212](#) [M39024/11-09G](#) [M39024/11-42](#) [M39024/11-43](#) [M39024/12-08](#) [707-5311](#) [707-5402-01-19](#) [707-5410](#) [R644543000](#) [R948161000](#) [1408-4](#) [1533-1](#) [1659559](#) [1659567](#) [1663921](#) [1663939](#) [1696-102](#) [174-R825B-EX](#) [211-101](#) [RS100GBL](#) [RS250GBL](#) [251-102](#) [25-2251-2-03](#) [25-2259-2-03](#) [923743-28-I](#) [2854-BLU](#) [2970-BLK](#) [30-443G](#) [1909861](#) [1916120](#) [1918007](#) [1919515](#) [1929125](#) [1944375](#) [204-103](#) [2079](#) [2435108](#) [2803-102](#) [300](#) [30-442G](#) [R644543003](#)