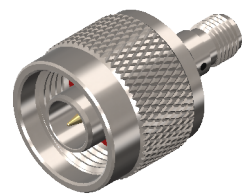
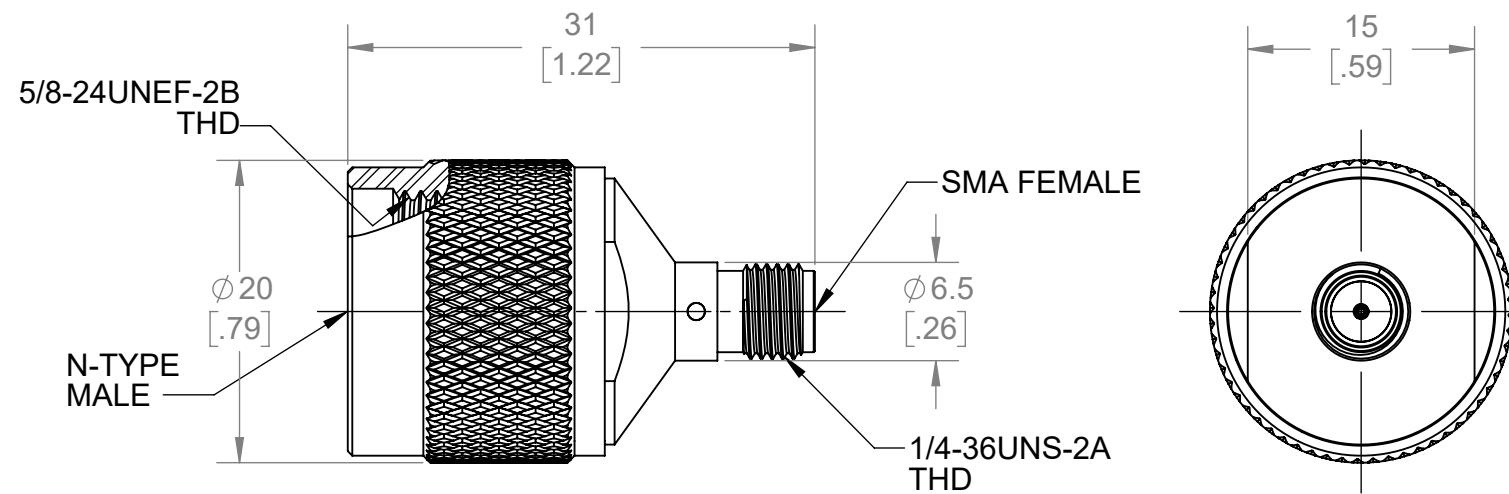


THIS IS ISSUED IN STRICT CONFIDENCE THAT IT IS NOT USED AS A BASIS FOR MANUFACTURE OR SALE AND THAT IT IS NOT COPIED, REPRINTED OR DISCLOSED TO A THIRD PARTY EITHER WHOLLY OR IN PART WITHOUT THE PRIOR WRITTEN CONSENT OF CAL TEST ELECTRONICS, INC.

| REVISIONS |                 |          |           |
|-----------|-----------------|----------|-----------|
| REV.      | DESCRIPTION     | DATE     | APPROVED  |
| A         | INITIAL RELEASE | 7/7/2021 | B. HANSEN |

- NOTES:**
- ALL SPECIFICATIONS SUBJECT TO CHANGE WITHOUT NOTICE.
  - ADAPTER TO MEET OR EXCEED ALL SPECIFICATIONS PER MIL-39012.
  - MATING DIMENSIONS IN ACCORDANCE WITH MIL-STD-348.
  - VSWR AND FREQUENCY RANGE SPECIFICATIONS ARE FOR REFERENCE AND ARE DEPENDANT ON CABLE TYPE AND OTHER APPLICATION SPECIFIC CONDITIONS.
  - MATERIAL:**
    - BODY AND COUPLING NUT: STAINLESS STEEL, PASSIVATED
    - CENTER CONTACT: BeCu, GOLD PLATED
    - DIELECTRIC: PTFE
    - GASKET: SILICONE RUBBER
  - ELECTRICAL:**
    - IMPEDANCE: 50 Ω
    - FREQUENCY: DC - 18 GHz
    - CONTACT CURRENT: DC 2.0 A MAX
    - WORKING VOLTAGE: 480 Vrms
    - INSERTION LOSS:  $\leq 0.03 \times \sqrt{f(\text{GHz})}$  dB
    - POWER HANDLING:  $\leq 200 \text{ W @ 2 GHz @ } 20^\circ\text{C, SEA LEVEL, VSWR } 1.0$
    - VSWR: 1.20:1 @ DC - 18 GHz
    - RF LEAKAGE:  $\geq 100 \text{ dB TO } 1 \text{ GHz}$
  - MECHANICAL:**
    - RECOMMENDED TORQUE: 0.7 Nm TO 1.1 Nm
    - TEMPERATURE RANGE:  $-55^\circ\text{C TO } +125^\circ\text{C}$
  - COUNTRY OF ORIGIN: S. KOREA
  - RoHS AND REACH COMPLIANT.



**ISOMETRIC VIEW**  
FULL SCALE

|                        |  |  |
|------------------------|--|--|
| CT3320A                | BETWEEN-SERIES   | IN-LINE  |
| MODEL NUMBER           | CONFIGURATION  | NOTES / REFERENCE  |
| MODEL NUMBER TABLE     |  |  |
| THIRD ANGLE PROJECTION | UNLESS OTHERWISE SPECIFIED DIMENSIONS ARE IN MILLIMETERS TOLERANCES ARE:<br>X.X = ±0.5    X.X* = ±0.5*<br>X.XX = ±0.25<br>X.XXX = ±0.125<br>DO NOT SCALE DRAWING | PROJECT NO.<br><b>A598</b>   |
|                        | MATERIAL<br>SEE NOTES  | APPROVALS  |
|                        | TREATMENT<br>N/A   | DATE<br>7/7/2021   |
| REFERENCE              | FINISH<br>SEE NOTES  | CHECKER  |
|                        |  | ENGR.<br>B. HANSEN<br>7/7/2021   |
|                        |  | DESIGN ACTIVITY  |
|                        |  | TITLE<br><b>ADAPTER, N-TYPE MALE TO SMA FEMALE, 50 Ω, INSTRUMENT GRADE</b> |
|                        |  | SIZE<br><b>B</b>   |
|                        |  | CAGE CODE<br><b>43F45</b>  |
|                        |  | DWG. NO.<br><b>CT3320A</b>   |
|                        |  | REV.<br><b>A</b>   |
|                        |  | SCALE<br><b>2:1</b>  |
|                        |  | SHEET<br><b>1 OF 1</b>   |

**METRIC** **Cal Test** **ELECTRONICS** 22820 Savi Ranch Prky. Yorba Linda, CA 92887 USA

## X-ON Electronics

Largest Supplier of Electrical and Electronic Components

*Click to view similar products for* [RF Adapters - Between Series category:](#)

*Click to view products by* [Cal Test manufacturer:](#)

Other Similar products are found below :

[5945-9503-000](#) [MCX/F-SMA/M](#) [R192417010](#) [ADBJ20-E1-BJ379](#) [ADM2](#) [ADPL75-A1-PL75](#) [242191](#) [9317505](#) [29-3835P](#) [AD130](#) [ADBJ20-E1-PL74](#) [ADBJ20-E2-BJ79](#) [ADBJ77-A1-PL375](#) [ADBJ77-E1-UPL20](#) [ADRMF370](#) [242215](#) [242228](#) [R125680000W](#) [R192430000](#) [UAD95](#) [1057367-1](#) [8311505](#) [R114704000](#) [R451034500](#) [R451030500](#) [R451543000](#) [HDVDPN](#) [ADBJ20-K1-PL20](#) [R451570000](#) [R451034000](#) [J9](#) [J3WE-5](#) [R451032500](#) [242201RP](#) [17K132-K00S5](#) [AD-RSMAF-RTNC](#) [53K156-K00N5](#) [02K119-K00E3](#) [29S132-K01N5](#) [53S156-K00N5](#) [02S119-S00E3](#) [28K132-K00N5](#) [02S109-K00S3](#) [27-8200TP](#) [242235](#) [ADBJ20-E1-BJ89](#) [000-2900](#) [321-102-003 \(SMA-50/2-H155/W1.03 AU\)](#) [1057377-1](#) [321-350-001 \(SMA-50-R/2-RG316/N2.01\)](#)