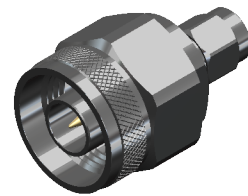
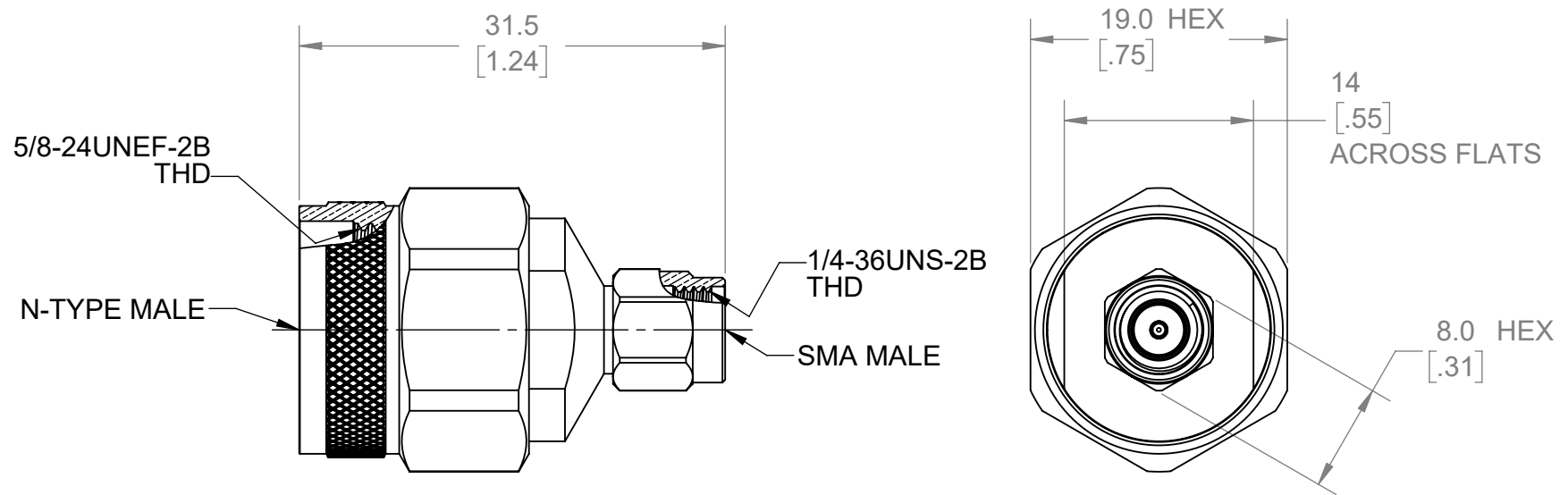


THIS IS ISSUED IN STRICT CONFIDENCE THAT IT IS NOT USED AS A BASIS FOR MANUFACTURE OR SALE AND THAT IT IS NOT COPIED, REPRINTED OR DISCLOSED TO A THIRD PARTY EITHER WHOLLY OR IN PART WITHOUT THE PRIOR WRITTEN CONSENT OF CAL TEST ELECTRONICS, INC.

REVISIONS			
REV.	DESCRIPTION	DATE	APPROVED
A	INITIAL RELEASE	7/22/2021	B. HANSEN

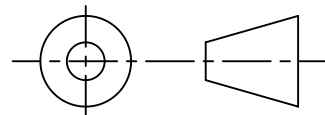
**NOTES:**

- ALL SPECIFICATIONS SUBJECT TO CHANGE WITHOUT NOTICE.
- ADAPTER TO MEET OR EXCEED ALL SPECIFICATIONS PER MIL-39012.
- MATING DIMENSIONS IN ACCORDANCE WITH MIL-STD-348.
- VSWR AND FREQUENCY RANGE SPECIFICATIONS ARE FOR REFERENCE AND ARE DEPENDANT ON CABLE TYPE AND OTHER APPLICATION SPECIFIC CONDITIONS.
- MATERIAL:
  - BODY AND COUPLING NUT: BRASS, WHITE BRONZE
  - CENTER CONTACT: BRASS, GOLD PLATED
  - DIELECTRIC: PTFE
- ELECTRICAL:
  - IMPEDANCE: 50 Ω
  - FREQUENCY: DC - 12 GHz
  - INSERTION LOSS:  $\leq 0.04 \times \sqrt{f(\text{GHz})}$  dB
  - INSULATION RESISTANCE: 5,000 MΩ MIN @ SEA LEVEL
  - DIELECTRIC WITHSTANDING VOLTAGE: 1,000 V MAX @ SEA LEVEL
  - VSWR:  $\leq 1.15:1$  @ DC - 12 GHz
- MECHANICAL:
  - TEMPERATURE RANGE: -55°C TO +165°C
- COUNTRY OF ORIGIN: CHINA
- RoHS AND REACH COMPLIANT.



ISOMETRIC VIEW  
FULL SCALE

THIRD ANGLE PROJECTION



REFERENCE

CT3340A	BETWEEN-SERIES	IN-LINE
MODEL NUMBER	CONFIGURATION	NOTES / REFERENCE

MODEL NUMBER TABLE			
UNLESS OTHERWISE SPECIFIED DIMENSIONS ARE IN MILLIMETERS TOLERANCES ARE: X.X = ±0.5 X.X* = ±0.5* X.XX = ±0.25 X.XXX = ±0.125 DO NOT SCALE DRAWING	PROJECT NO. <b>A598</b>	<b>METRIC</b>	<b>Cal Test</b> ELECTRONICS
MATERIAL SEE NOTES	APPROVALS	DATE	TITLE
TREATMENT N/A	ENGR. B. HANSEN	7/7/2021	<b>ADAPTER, N-TYPE MALE TO SMA MALE, 50 Ω, INSTRUMENT GRADE</b>
FINISH SEE NOTES	DESIGN ACTIVITY		
	SIZE <b>B</b>	CAGE CODE <b>43F45</b>	DWG. NO. <b>CT3340A</b>
	SCALE 2:1		REV. <b>A</b>
			SHEET 1 OF 1

22820 Savi Ranch Prky.  
Yorba Linda, CA 92887  
USA

## X-ON Electronics

Largest Supplier of Electrical and Electronic Components

*Click to view similar products for* [RF Adapters - Between Series category:](#)

*Click to view products by* [Cal Test manufacturer:](#)

Other Similar products are found below :

[5945-9503-000](#) [MCX/F-SMA/M](#) [R192417010](#) [ADBJ20-E1-BJ379](#) [ADM2](#) [ADPL75-A1-PL75](#) [242191](#) [9317505](#) [29-3835P](#) [AD130](#) [ADBJ20-E1-PL74](#) [ADBJ20-E2-BJ79](#) [ADBJ77-E1-UPL20](#) [ADRMF370](#) [242215](#) [242228](#) [R125680000W](#) [R192430000](#) [UAD95](#) [1057367-1](#) [8311505](#) [R114704000](#) [R451034500](#) [R451030500](#) [R451543000](#) [HDVDPN](#) [ADBJ20-K1-PL20](#) [R451570000](#) [R192419000](#) [R451034000](#) [J9](#) [J3WE-5](#) [R451032500](#) [242201RP](#) [17K132-K00S5](#) [AD-RSMAF-RTNC](#) [53K156-K00N5](#) [02K119-K00E3](#) [29S132-K01N5](#) [53S156-K00N5](#) [02S119-S00E3](#) [28K132-K00N5](#) [02S109-K00S3](#) [27-8200TP](#) [242235](#) [ADBJ20-E1-BJ89](#) [000-2900](#) [321-102-003 \(SMA-50/2-H155/W1.03 AU\)](#) [1057377-1](#) [321-350-001 \(SMA-50-R/2-RG316/N2.01\)](#)