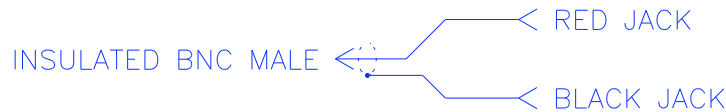
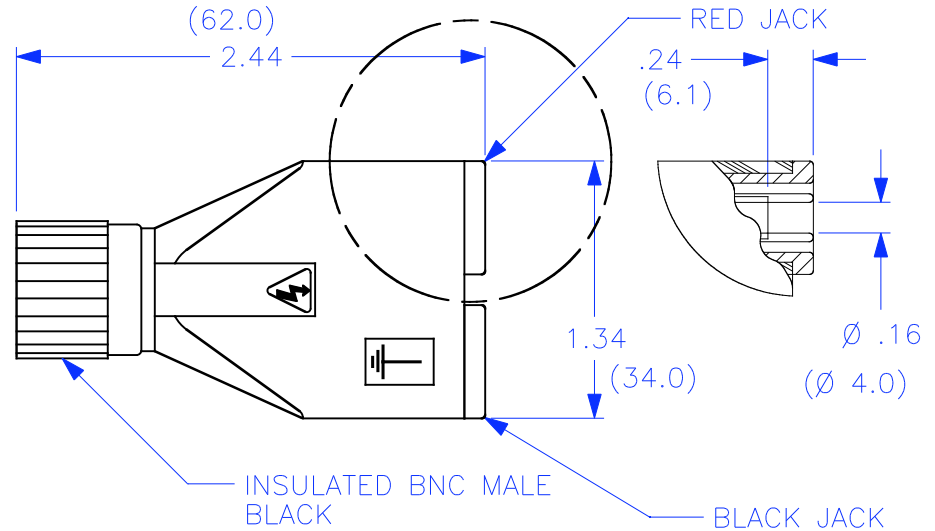


**THIS IS ISSUED IN STRICT CONFIDENCE THAT IT IS NOT USED AS A BASIS FOR MANUFACTURE OR SALE AND THAT IT IS NOT COPIED, REPRINTED OR DISCLOSED TO A THIRD PARTY EITHER WHOLLY OR IN PART WITHOUT THE PRIOR WRITTEN CONSENT OF CAL TEST ELECTRONICS, INC.**

- INSULATED BNC MALE WITH 4mm SAFETY JACKS.  
APPLICATION: ADAPTS BNC FEMALE CONNECTOR TO 4mm SHEATHED JACKS TO ACCEPT SHEATH BANANA PLUGS.  
UPGRADES BNC TO IEC SPECIFICATIONS.
- SPECIFICATIONS:  
INSULATOR: POLYAMIDE (NYLON), GREY  
JACK CONTACTS: BRASS, NICKEL PLATED  
BNC(m): BRASS. CENTER CONTACT, GOLD PLATED.
- RATING:  
VOLTAGE: 500V CATI OR 150V CATIII P2 (IEC61010-1)  
CURRENT: 3A MAX.  
RESISTANCE: <0.8mΩ.  
TEMPERATURE: -20° C TO +80° C.

**PART NUMBER**  
**CT2412**

REVISIONS			
REV.	DESCRIPTIONS	DATE	APPROVED
-	CLASS A RELEASED	7/12/99	



**SCHEMATIC**

<b>THIRD ANGLE PROJECTION</b>		UNLESS OTHERWISE SPECIFIED DIMENSIONS ARE IN INCHES TOLERANCES ARE: FRACTIONS    DECIMALS ± 1/32        .XX ± .02 .XXX ± .005 <b>DO NOT SCALE DRAWING</b>	<b>CONTRACT NO.</b>		<b>Cal Test Electronics</b> 22820 Savi Ranch Parkway Yorba Linda, CA 92887-4610	
			<b>APPROVALS</b> DRAWN    WDH                      DATE    7/12/99	<b>TITLE</b> <b>INSULATED BNC(m) w/4mm SHEATHED SAFETY JACKS</b>		
<b>MATERIAL</b>  <b>FINISH</b>		<b>CHECKED</b>  <b>ENGR.</b>  <b>DESIGN ACTIVITY</b>	<b>SIZE</b> <b>A</b>	<b>CAGE CODE</b> <b>43F45</b>	<b>DWG. NO.</b> <b>P241200</b>	<b>REV.</b> -
<b>NEXT ASSY</b>	<b>USED ON</b>	<b>SCALE</b> 1:1	<b>SHEET</b> 1 OF 1			
<b>APPLICATION</b>						

## **X-ON Electronics**

Largest Supplier of Electrical and Electronic Components

*Click to view similar products for [Cal Test](#) manufacturer:*

Other Similar products are found below :

[GE3421](#) [CT3733](#) [CT3288ARA](#) [CT3735](#) [CT3740](#) [CT2300](#) [GE1502](#) [CT2702A](#) [CT3048](#) [CT4098-200](#) [CT2232-0](#) [CT2489](#) [CT2942-250](#)  
[CT2910-2](#) [CT2848-12](#) [CT3945](#) [CT3218](#) [CT3673](#) [GE2521](#) [GE3121](#) [CT4098-100](#) [CT2234-4](#) [CT2151-50-0](#) [CT3273](#) [CT4072](#) [CP6550-NA](#)  
[CT2840RA](#) [CT3754-200](#) [CT4098-25](#) [CT3219-100](#) [CT3981-120](#) [CT2882-4-100](#) [CT2882-5-100](#) [CT2882-6-100](#) [CT2882-9-100](#) [CT2885-6-10](#)  
[CT2957-5-10](#) [CT2884-9-100](#) [CT3986B-120](#) [CT2158-50-0](#) [CT4198](#) [GE3231](#) [CT3202](#) [CT3333-60](#) [GE3225](#) [CT2664](#) [CT2885-2-10](#) [CT2904-0](#)  
[GE3125](#) [CT3312](#)