

# 11mm Magnetic Connector, 4mm Right-Angle Sheathed Banana Jack

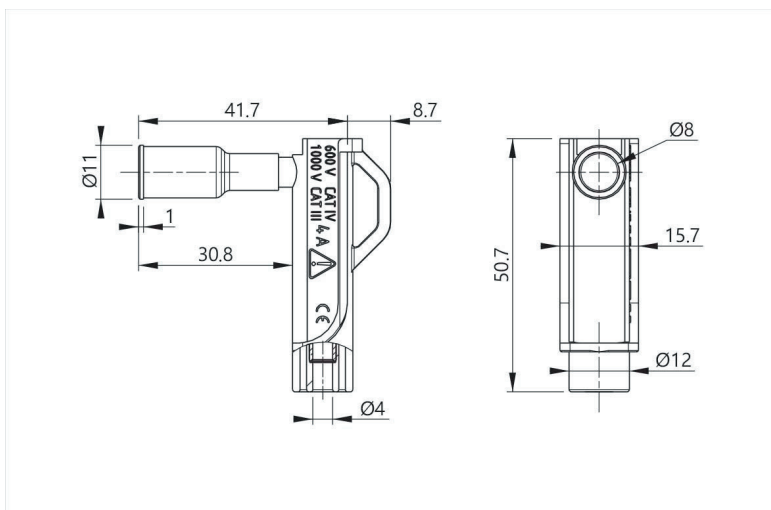
CT3885-#



## Features:

- Voltage Max - 1000 V CAT III / 600 V CAT IV
- Current Max - 4 A
- Max Temperature - 80 °C (176 °F)
- Insulation Material - Polypropylene (PP)
- Magnet - N35 / 1.2 Tesla
- RoHS 2 Compliant

## Measurement Drawing: (not to scale)



## Description:

The 3800 series of Magnetic Connectors facilitates a quick and reliable way to connect to terminal block screws or any other ferromagnetic conductors. These connectors provide ample magnetic hold for hands-free operation.

## Order Information:

### **CT3885-#**

11mm Magnetic Connector, 4mm Right-Angle Sheathed Banana Jack

- Color - replace '#' with dash number:  
-0 Black, -2 Red, -6 Blue, -9 White

## Contact Info:

Toll Free: 800-572-1028 (US Only)

Phone: 714-221-9330

Fax: 714-921-9849

22820 Savi Ranch Parkway

Yorba Linda, CA 92887-4610 USA

[www.caltestelectronics.com](http://www.caltestelectronics.com)



Copyright © 2019, Cal Test Electronics, Inc. All rights reserved. Information in this publication supersedes that in all previously published material. Trade names referenced are the service marks, trademarks or registered trademarks of their respective companies.

## X-ON Electronics

Largest Supplier of Electrical and Electronic Components

*Click to view similar products for [Test Connectors](#) category:*

*Click to view products by [Cal Test](#) manufacturer:*

Other Similar products are found below :

[5739](#) [MXHS83QE1000](#) [1691](#) [M08SW](#) [M10X100](#) [4247](#) [MM126037](#) [4726](#) [5747](#) [MM126511](#) [MM126527](#) [2375380-1](#) [100045-045-958](#) [3743](#)  
[MXHS83QE3000](#) [M19100](#) [4320-01069-0](#) [3302](#) [783538-01](#) [3602](#) [3719](#) [4226](#) [4245](#) [4246](#) [4903](#) [MXFR01JA1000](#) [911](#) [BF-5](#) [CT3881-6](#)  
[M19201](#) [MM126054](#) [MM126317](#) [MM126515](#) [MM126518](#) [MM126526](#) [MM126711](#) [MXHS83QH3000](#) [BF-1](#) [BF-3](#) [BS-1](#) [A9663](#) [3316](#) [3603](#)  
[3862-0](#) [3862-0#](#) [4115](#) [4655](#) [4656](#) [5130](#) [5532](#)