

5kV, 4mm Sheathed Banana Jack, Panel Mount, 2mm Solder Cup

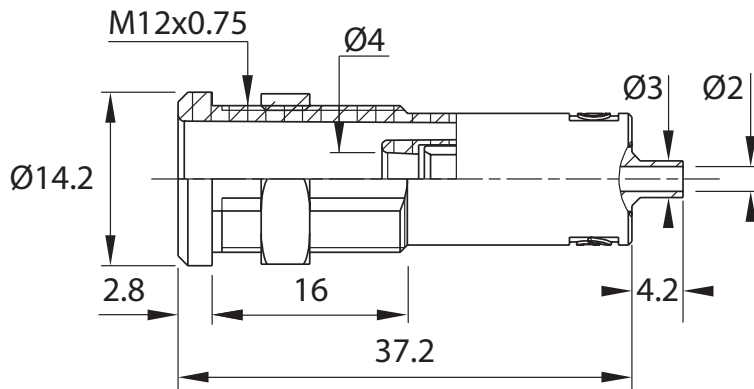
CT4006-#



Features:

- 1,000 V CAT IV, 5 kV non-category with 2 kV transient overvoltage
- Ø2 mm Solder cup
- 10 A Max
- Panel mount
- CE listed
- RoHS 2 compliant

Measurement Drawing: (dimensions in mm, not to scale)



Description:

The CT4006 operates up to 5 kV when used in non-category environments with transient overvoltages up to 2 kV.^a The jack also extends the rating of our 4mm Sheathed Banana Jacks to 1,000 V CAT IV.^b

For use only with Cal Test's Long-Reach High Voltage Test Leads, CT3018 or CT3020. The jack offers a Ø2 mm solder cup termination for soldering to a wire. The jack fits into both plastic and metal panels fixed with a 14.5 mm hex panel nut.

The CT4006 is available in 2 colors.

a. Never hold or touch equipment while connected to live voltages.

b. Must be used in conjunction with other similarly rated products.

Order Information:

CT4006-#

5kV, 4mm Sheathed Banana Jack, Panel Mount, 2mm Solder Cup

- Color - replace '-#' with dash number:
-0 Black, -2 Red

Contact Info:

Toll Free: 800-572-1028 (US Only)

Phone: 714-221-9330

Fax: 714-921-9849

22820 Savi Ranch Parkway

Yorba Linda, CA 92887-4610 USA

www.caltestelectronics.com

CE

Copyright © 2020, Cal Test Electronics, Inc. All rights reserved. Information in this publication supersedes that in all previously published material. Trade names referenced are the service marks, trademarks or registered trademarks of their respective companies.

X-ON Electronics

Largest Supplier of Electrical and Electronic Components

Click to view similar products for [Test Plugs & Test Jacks](#) category:

Click to view products by [Cal Test](#) manufacturer:

Other Similar products are found below :

[01-2601-4-0210](#) [01-2601-4-0212](#) [01-2604-4-0212](#) [01-2604-5-0210](#) [01-2150-1-0312](#) [01-2350-1-02](#) [01-2352-1-02](#) [01-2368-1-02](#) [01-2604-4-0210](#) [01-2604-5-0212](#) [01-2606-4-0210](#) [01-2606-4-0212](#) [01-2606-5-0212](#) [M39024/10-01G](#) [M39024/10-17G](#) [M39024/11-09G](#) [M39024/11-42](#) [M39024/11-43](#) [M39024/12-08](#) [707-5311](#) [707-5402-01-19](#) [707-5410](#) [923739-40-I](#) [R644543000](#) [R948161000](#) [R999351000](#) [1408-4](#) [1499-101](#) [1533-1](#) [1659559](#) [1659567](#) [1663921](#) [1663939](#) [1696-102](#) [174-R825B-EX](#) [NYS508-BU](#) [NYS508-O](#) [211-101](#) [RS100GBL](#) [RS250GBL](#) [251-102](#) [25-2251-2-03](#) [25-2259-2-03](#) [923743-16-I](#) [923743-24-I](#) [923743-28-I](#) [2854-BLU](#) [2970-BLK](#) [30-443G](#) [1680](#)