

THIS IS ISSUED IN STRICT CONFIDENCE THAT IT IS NOT USED AS A BASIS FOR MANUFACTURE OR SALE AND THAT IT IS NOT COPIED, REPRINTED OR DISCLOSED TO A THIRD PARTY EITHER WHOLLY OR IN PART WITHOUT THE PRIOR WRITTEN CONSENT OF CAL TEST ELECTRONICS, INC.

NOTES:

1. MATERIAL:
 INSULATED BODY: POLYPROPYLENE (PP), 3317, UL94-HB,
 COLOR: GREY.
 PLUG BODY, REAR FUSE CONTACT, & BANANA JACK: BRASS,
 C360, NICKEL PLATED.
 BANANA PLUG CONTACT: BeCu, C170, NICKEL PLATED.
 REAR CONTACT SPRING: BeCu, NICKEL PLATED.

2. SPECIFICATIONS:
 RATED VOLTAGE: 1,000 V CAT IV, PER IEC/EN 61010-031:2015_AMD1:2018
 RATED CURRENT: PER FUSE, SEE PART NUMBER TABLE.
 OPERATING TEMPERATURE: 0°C TO +60°C

3. FUSE:
 FUSES MUST BE $\phi 6.3 \times 32$ mm, CERAMIC, TYPE FF FAST-ACTING, 1,000 V, 50 kA IR.
 • CAL TEST CT4049, SIBA 7017240, OR EQUIVALENT.
 MAXIMUM FUSE CURRENT RATING: 2 A
 NOTE: ADAPTER PROTECTS EQUIPMENT AGAINST SHORT-CIRCUITS BUT NOT AGAINST OVER-CURRENTS.

WARNING: ALWAYS CHECK FOR CONTINUITY AND OPEN OR BLOWN FUSES PRIOR TO USE.

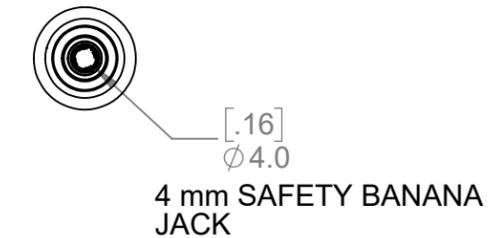
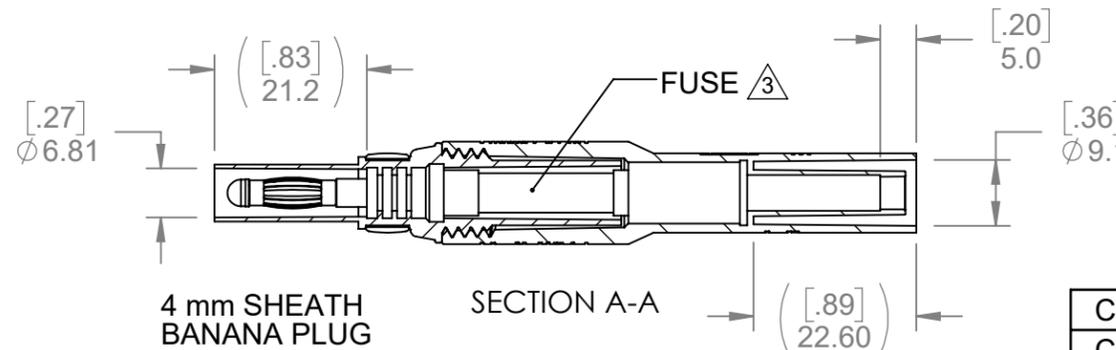
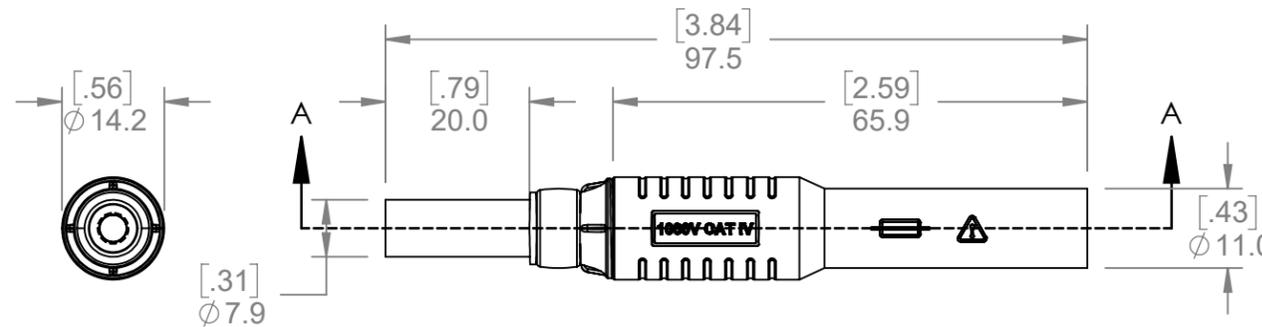
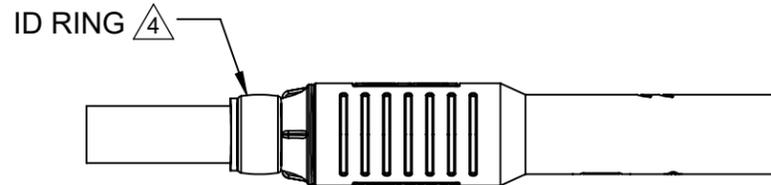
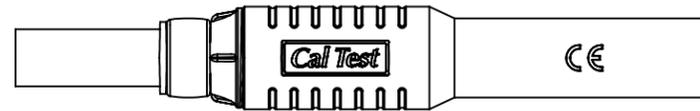
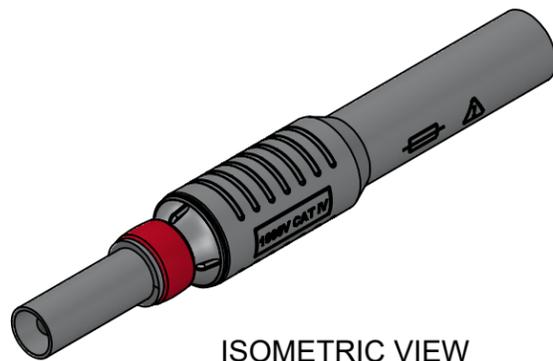
REPLACEMENT STEPS:

- DISCONNECT ADAPTER FROM ALL DEVICES AND LEADS.
- UNSCREW FUSE ADAPTER BODY.
- REMOVE AND REPLACE FUSE.
- SCREW ADAPTER PIECES BACK TOGETHER.
- TEST ADAPTER FOR CONTINUITY PRIOR TO USE.

4. ID RINGS:
 ADAPTER MODEL INCLUDES REPLACEABLE COLOR ID RINGS, MODEL CT4132-X08 -- 8 PCS., (1) EACH - BLACK, BROWN, RED, ORANGE, YELLOW, BLUE, GREY & WHITE.
 MATERIAL: SILICONE ELASTOMER.
 INSTALLATION: SLIDE ID RING OVER BANANA PLUG SHEATH AND SNAP INTO GROOVE (AS SHOWN).

5. RoHS 2 COMPLIANT; EXEMPTION ANNEX III 6(c)

6. WEIGHT:
 WITHOUT FUSE: 17 g
 WITH FUSE: 20 g



REVISIONS			
REV.	DESCRIPTION	DATE	APPROVED
A	CLASS A RELEASE	4/24/2019	

CT4140A-2.0A	FUSE ADAPTER, 2.0 A FUSE	-
CT4140A-1.5A	FUSE ADAPTER, 1.5 A FUSE	-
CT4140A-1.0A	FUSE ADAPTER, 1.0 A FUSE	-
CT4140A-0.5A	FUSE ADAPTER, 0.5 A FUSE	-
CT4140A-0.0A	FUSE ADAPTER, NO FUSE	-
MODEL NUMBER	CONFIGURATION	NOTES / REFERENCE

PART NUMBER TABLE

METRIC	UNLESS OTHERWISE SPECIFIED DIMENSIONS ARE IN MILLIMETERS TOLERANCES ARE: PER DIN ISO 2768m	PROJECT NO. C306	Cal Test Electronics 22820 Savi Ranch Parkway Yorba Linda, CA 92887	
	DO NOT SCALE DRAWING	APPROVALS	DATE	TITLE 4 mm IN-LINE FUSE ADAPTER, IMPROVED w/ID RINGS
THIRD ANGLE PROJECTION	MATERIAL SEE NOTES	DRAWN WDH	4/10/2019	
	TREATMENT	CHECKER A. SCHMIDT	4/24/2019	
	FINISH	ENGR. B. HANSEN	4/24/2019	
		DESIGN ACTIVITY		SIZE B
				CAGE CODE 43F45
				DWG. NO. P4140A0
				REV. A
			SCALE 1:1	SHEET 1 OF 1

X-ON Electronics

Largest Supplier of Electrical and Electronic Components

Click to view similar products for [Fuse Holder Accessories](#) category:

Click to view products by [Cal Test](#) manufacturer:

Other Similar products are found below :

[BK/1A1337](#) [1A1853](#) [1A4421](#) [1A5220](#) [903-048](#) [1A1337](#) [1A4544](#) [1A5220-01](#) [CO2-10](#) [CO3-03](#) [348897](#) [B072-7007](#) [BK/1A4421](#) [X30110](#)
[09030012H](#) [09050023H](#) [00970021HXNVDL](#) [00BS0232P](#) [CO2-04](#) [BK1A1853](#) [BK9834](#) [00970053XP](#) [3566C](#) [00970053H](#) [04450718ZX900](#)
[CH10CL](#) [BP/FP-3](#) [58600000005](#) [33-012C](#) [880140](#) [00970023S](#) [880150](#) [PDM71009ZXM](#) [B109-7091-4](#) [B109-7091-6](#) [B109-7091-5](#)
[CFBAR2-M8XSP](#) [901-524](#) [CVR-RH-25100](#) [LFH60030FBC](#) [03540514Z](#) [03540526Z](#) [03540531Z](#) [03540541Z](#) [03540525Z](#) [03540537Z](#)
[03540539Z](#) [03540540Z](#) [FEH](#) [CC2/J](#)